



Chipsmall Limited consists of a professional team with an average of over 10 year of expertise in the distribution of electronic components. Based in Hongkong, we have already established firm and mutual-benefit business relationships with customers from,Europe,America and south Asia,supplying obsolete and hard-to-find components to meet their specific needs.

With the principle of “Quality Parts,Customers Priority,Honest Operation,and Considerate Service”,our business mainly focus on the distribution of electronic components. Line cards we deal with include Microchip,ALPS,ROHM,Xilinx,Pulse,ON,Everlight and Freescale. Main products comprise IC,Modules,Potentiometer,IC Socket,Relay,Connector.Our parts cover such applications as commercial,industrial, and automotives areas.

We are looking forward to setting up business relationship with you and hope to provide you with the best service and solution. Let us make a better world for our industry!



Contact us

Tel: +86-755-8981 8866 Fax: +86-755-8427 6832

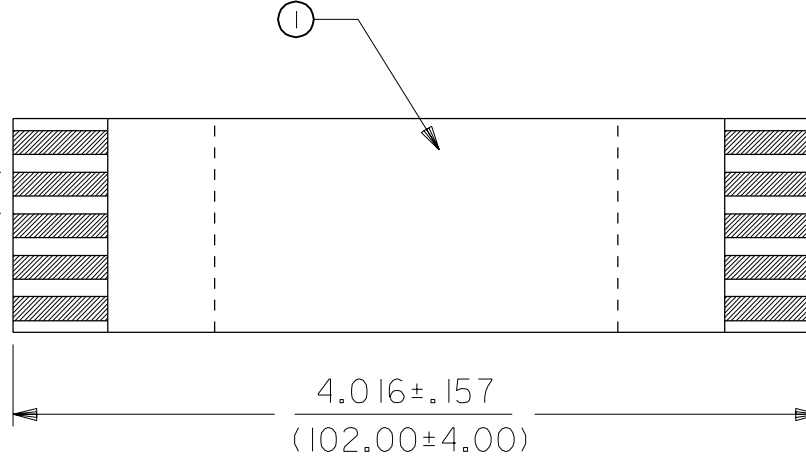
Email & Skype: info@chipsmall.com Web: www.chipsmall.com

Address: A1208, Overseas Decoration Building, #122 Zhenhua RD., Futian, Shenzhen, China

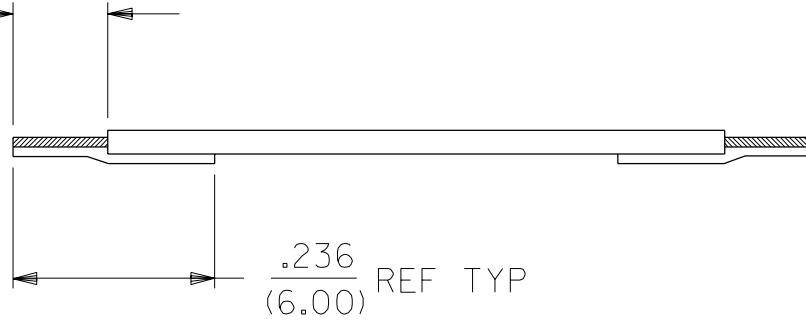


ITEM	DESCRIPTION	P/N	QTY	CKT. SIZE	TEMP. RATING
①	CABLE	21020-0547	4.016"	50	L

$\frac{.020 \pm .004}{(0.50 \pm 0.10)}$



$\frac{.157 \pm .039}{(4.00 \pm 1.00)}$ TYP



NOTE:

NO PRINTING TO BE ALLOWED ON CABLE

REF. PRODUCT SPEC. NO. SMPS-21020

DIMENSIONS SHOWN (METRIC) INCH

UNLESS OTHERWISE SPECIFIED TOLERANCES: ANGULAR ± 1/2°

	INCH	METRIC
3 PLACE	± .005	---
2 PLACE	± .01	± 0.13
1 PLACE	---	± 0.25

DRAFT WHERE APPLICABLE MUST REMAIN WITHIN DIMENSIONS

$\nabla = 0$

$\blacktriangledown = 0$

REVISE ONLY ON CAD SYSTEM

TITLE
0.5 mm \varnothing FFC JUMPER
STYLE TYPE "A"
PDR UAU-000966-00-00



MOLEX INCORPORATED
LISLE, ILL. 60532 U.S.A.

SHEET NO.
1 OF 1

DATE
02/07/10

PART NO.
21020-0547

DRWG. NO.
21020-0547

FILE NAME
21020-0547
S01

THIS DRAWING CONTAINS INFORMATION THAT IS PROPRIETARY TO MOLEX INC. AND SHOULD NOT BE USED WITHOUT WRITTEN PERMISSION.

DIV. AU
SIZE A

A FINAL RELEASE
ECN UAU2003-0001
DEME0 02/07/10

LTR. REVISIONS LTR. REVISIONS

DRWG. BY DRD
CHK'D. BY TGP
APP'D. BY RLM
SCALE -- : --