



Chipsmall Limited consists of a professional team with an average of over 10 year of expertise in the distribution of electronic components. Based in Hongkong, we have already established firm and mutual-benefit business relationships with customers from,Europe,America and south Asia,supplying obsolete and hard-to-find components to meet their specific needs.

With the principle of "Quality Parts,Customers Priority,Honest Operation,and Considerate Service",our business mainly focus on the distribution of electronic components. Line cards we deal with include Microchip,ALPS,ROHM,Xilinx,Pulse,ON,Everlight and Freescale. Main products comprise IC,Modules,Potentiometer,IC Socket,Relay,Connector.Our parts cover such applications as commercial,industrial, and automotives areas.

We are looking forward to setting up business relationship with you and hope to provide you with the best service and solution. Let us make a better world for our industry!



Contact us

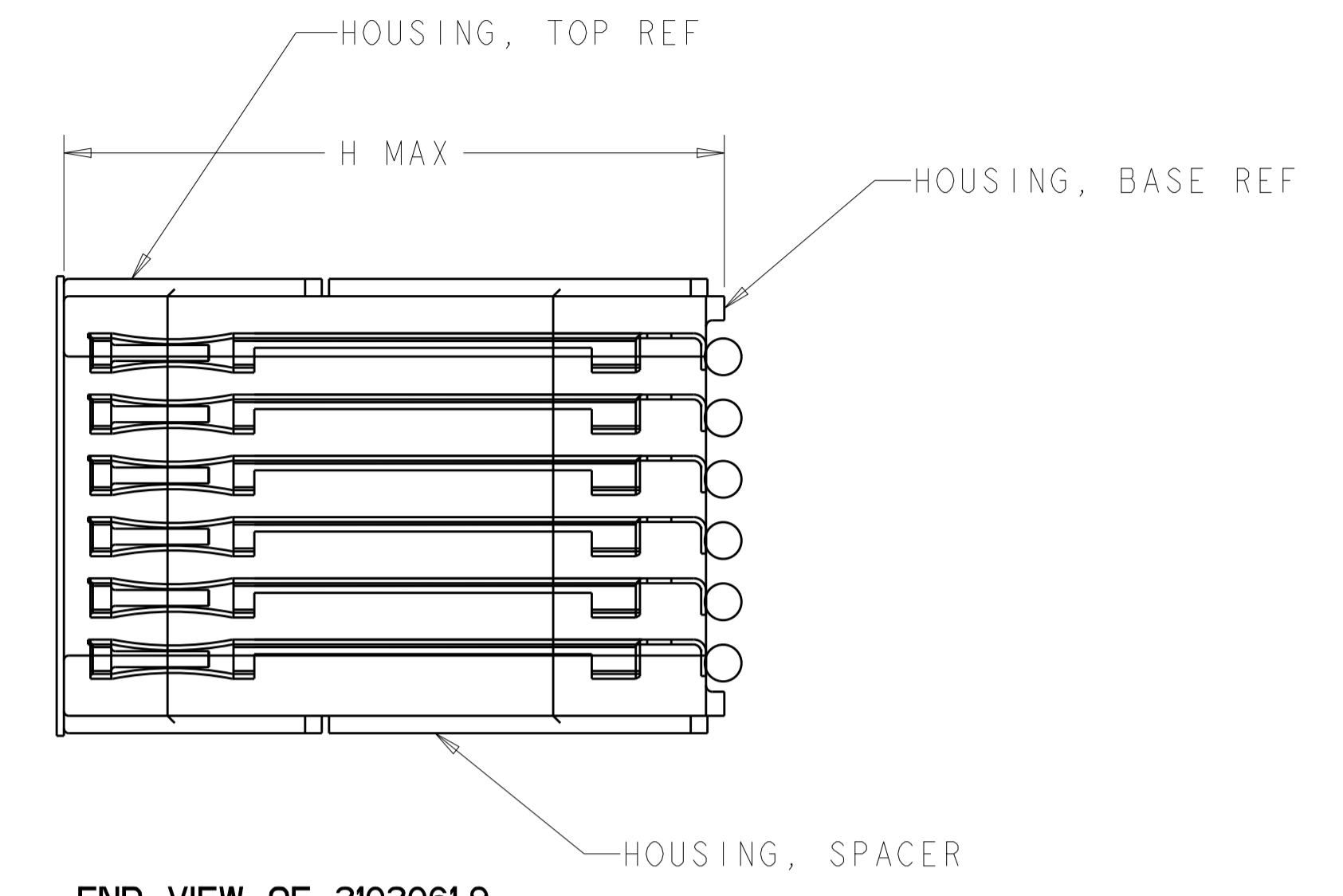
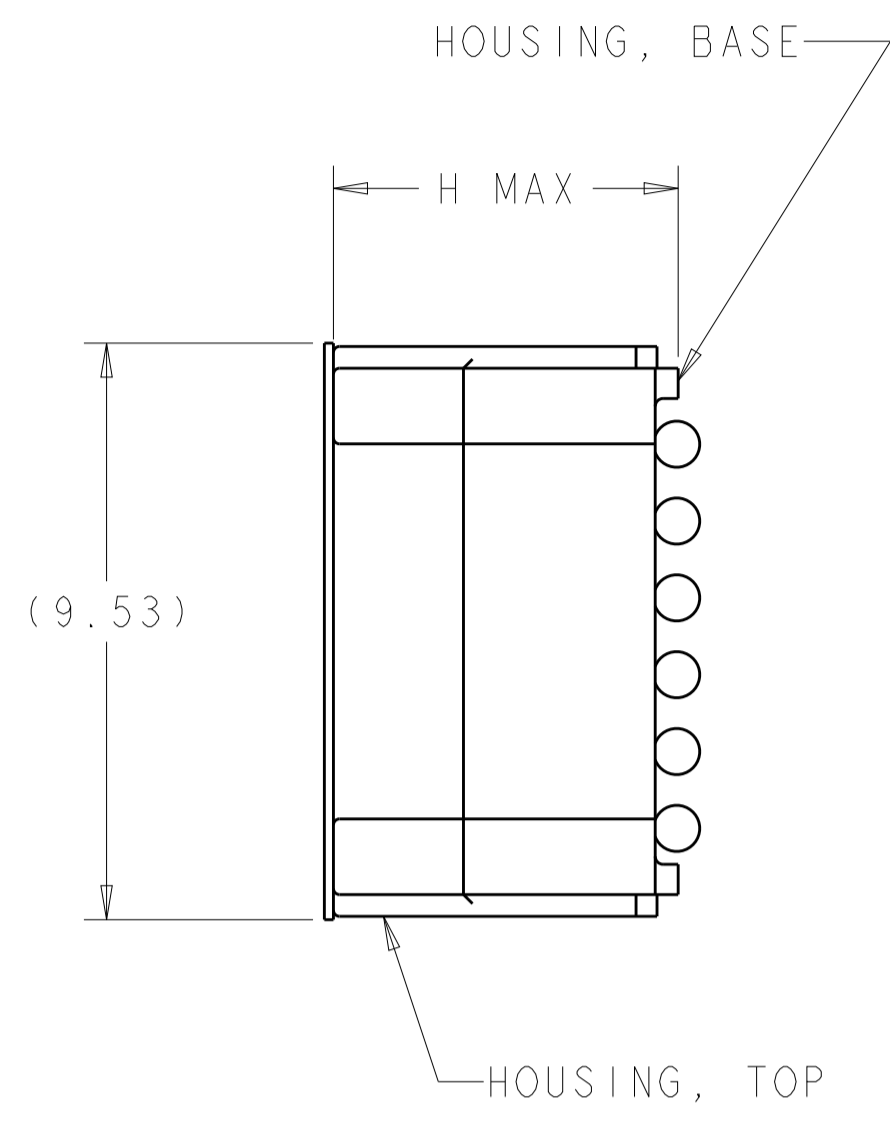
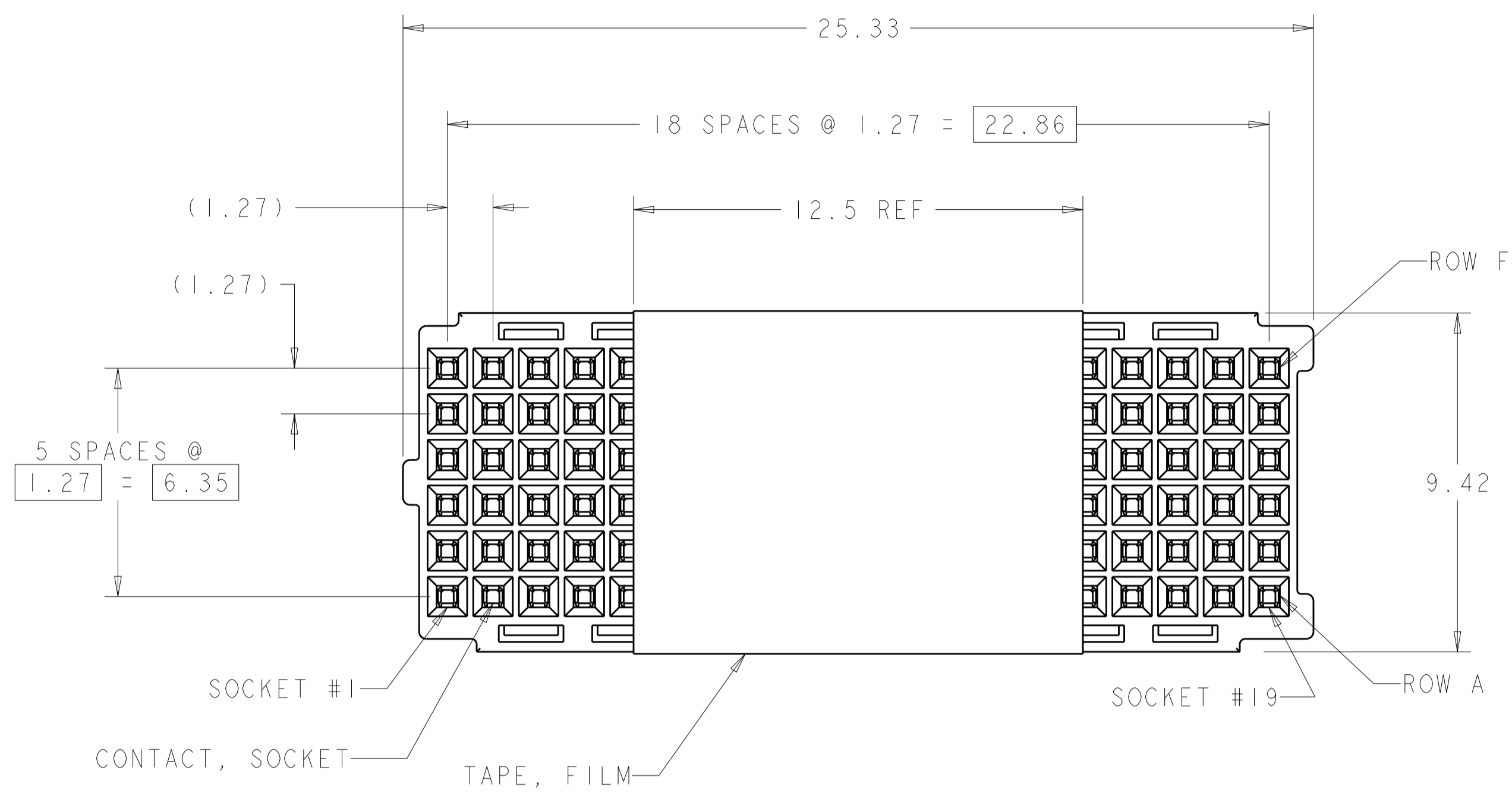
Tel: +86-755-8981 8866 Fax: +86-755-8427 6832

Email & Skype: info@chipsmall.com Web: www.chipsmall.com

Address: A1208, Overseas Decoration Building, #122 Zhenhua RD., Futian, Shenzhen, China

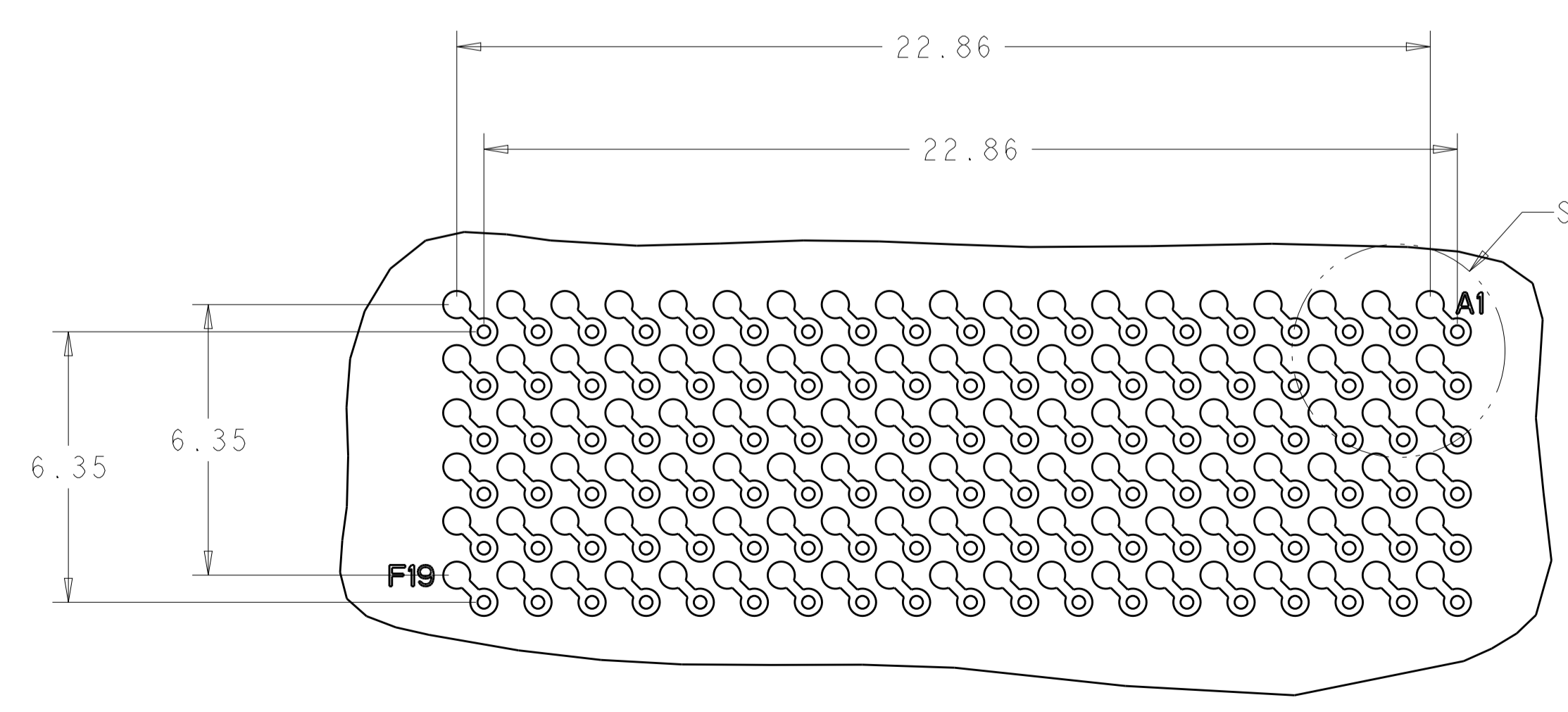
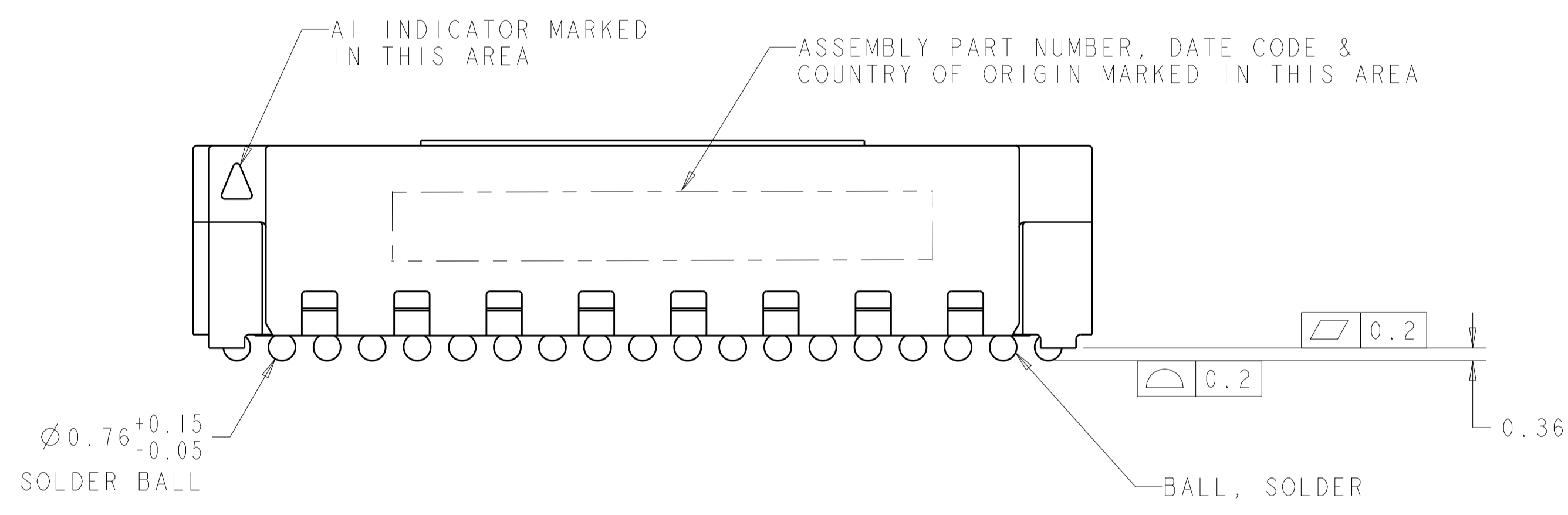
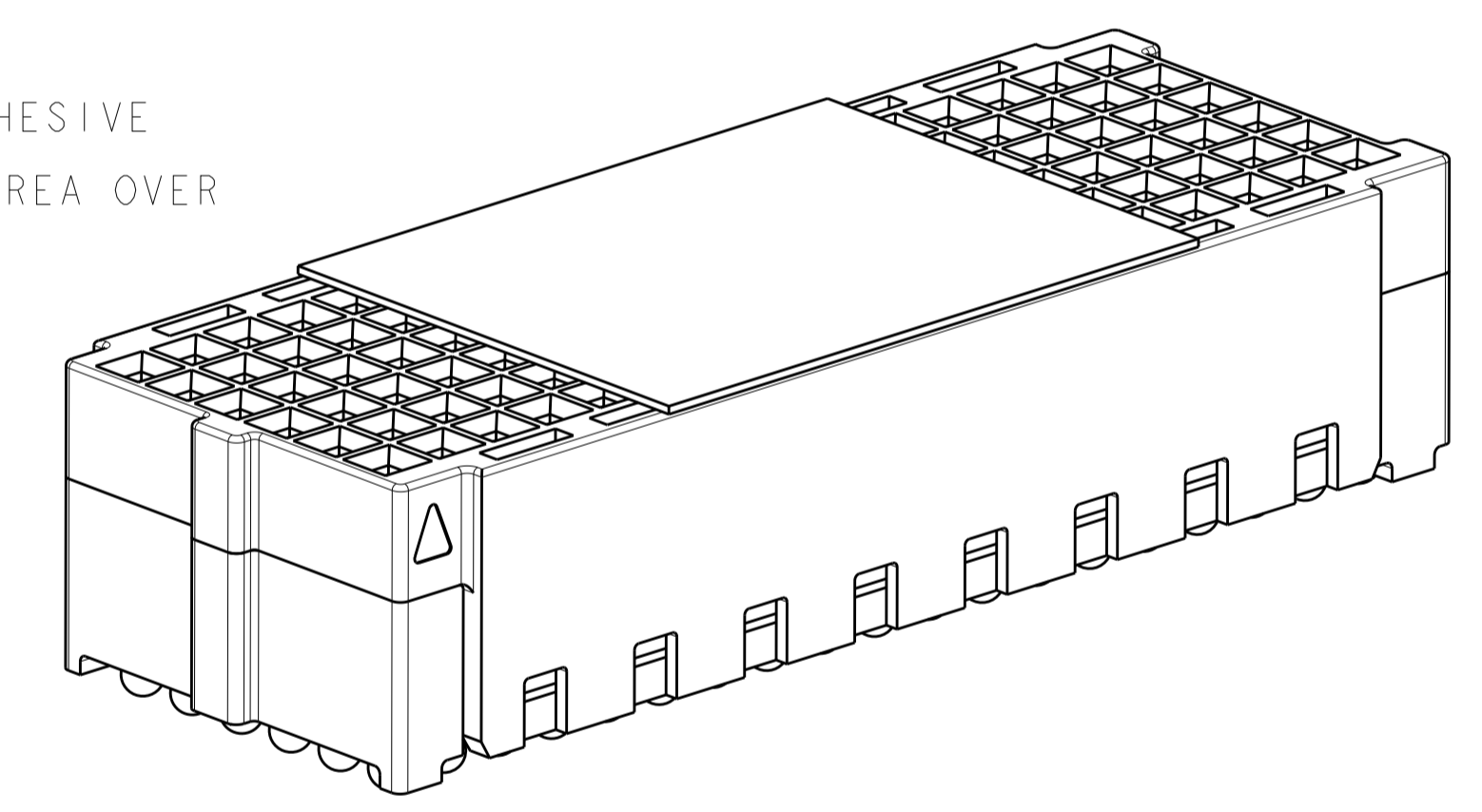


LOC	DIST	REVISIONS			
		REV	DESCRIPTION	DATE	BY
		F	REV PER ECO 12-021576	12-18-12	CT DH
		G	REV. PER ECO-13-005882	05APR2013	RJM3 DH

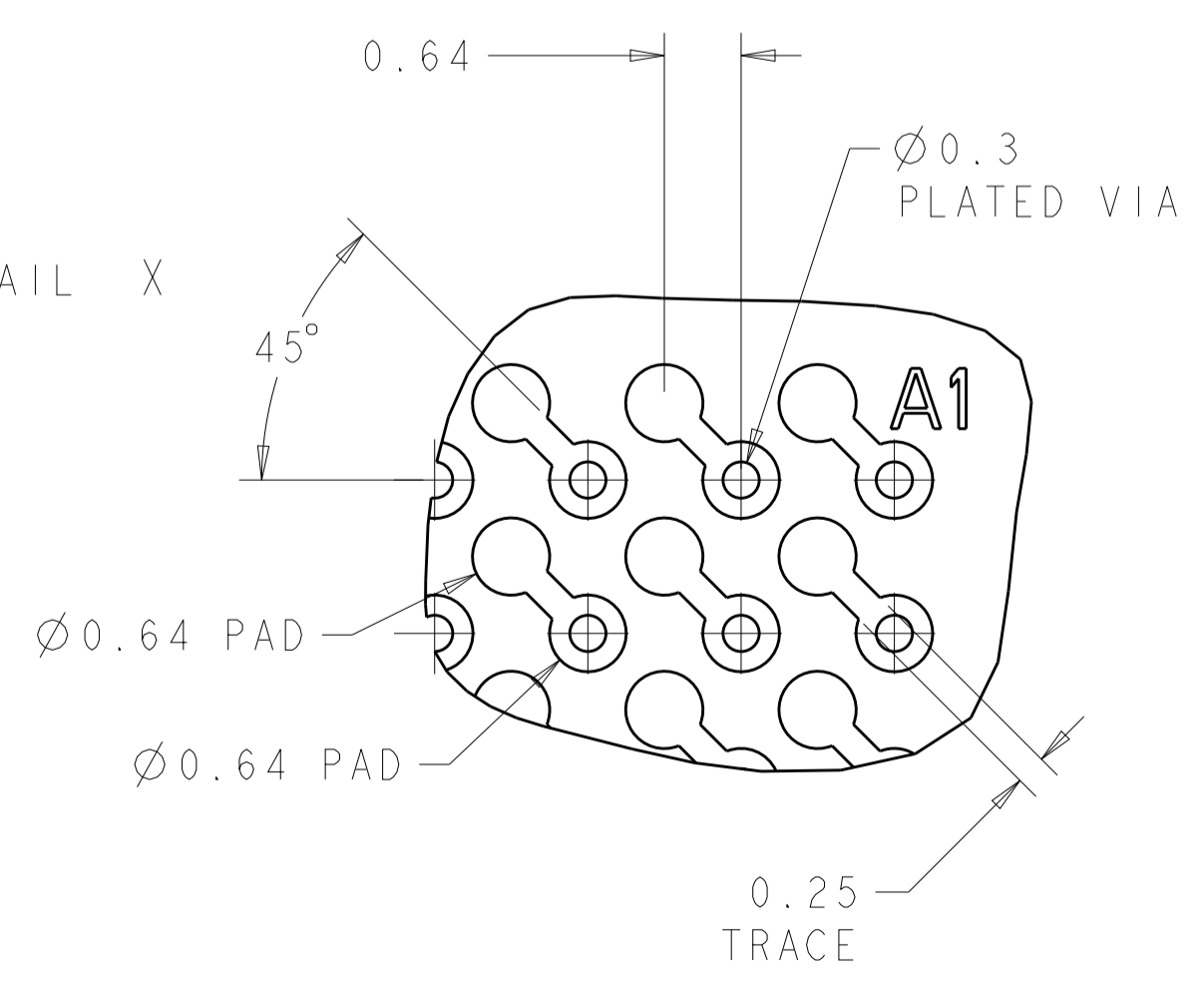


END VIEW OF 2102061-9 THRU 1-2102061-6

- △ MATERIAL: HOUSINGS; LCP, COLOR-NATURAL CONTACT; BERYLLIUM COPPER SOLDER BALL; SEE TABLE TAPE, FILM; KAPTON WITH SILICON ADHESIVE
- △ FINISH: CONTACT; GOLD (SEE TABLE) ON MATING AREA OVER NICKEL ON ENTIRE CONTACT.
- 3. PRODUCT IS PACKAGED ON TAPE AND REELED.



PCB LAYOUT (CONNECTOR SIDE) SCALE 8:1



DETAIL X SCALE 16:1

MATING PART NUMBER	MATED STACK HEIGHT (mm)	GOLD PLATING THICKNESS	H MAX REF	SOLDER BALL MATERIAL	PART NUMBER
2102060-4	15	0.76 μ m	11	LEAD FREE PER SAC405	1-2102061-6
2102060-3	15	0.76 μ m	11	TIN LEAD	1-2102061-5
2102060-2	15	1.27 μ m	11	LEAD FREE PER SAC405	1-2102061-4
2102060-1	15	1.27 μ m	11	TIN LEAD	1-2102061-3
2102060-4	8	0.76 μ m	14	LEAD FREE PER SAC405	1-2102061-2
2102060-3	8	0.76 μ m	14	TIN LEAD	1-2102061-1
2102060-2	18	1.27 μ m	14	LEAD FREE PER SAC405	1-2102061-0
2102060-1	18	1.27 μ m	14	TIN LEAD	2102061-9
2102060-4	12	0.76 μ m	8	LEAD FREE PER SAC405	2102061-8
2102060-3	12	0.76 μ m	8	TIN LEAD	2102061-7
2102060-4	10	0.76 μ m	6	LEAD FREE PER SAC405	2102061-6
2102060-3	10	0.76 μ m	6	TIN LEAD	2102061-5
2102060-2	12	1.27 μ m	8	LEAD FREE PER SAC405	2102061-4
2102060-1	12	1.27 μ m	8	TIN LEAD	2102061-3
2102060-2	10	1.27 μ m	6	LEAD FREE PER SAC405	2102061-2
2102060-1	10	1.27 μ m	6	TIN LEAD	2102061-1

THIS DRAWING IS A CONTROLLED DOCUMENT. DWG: G. DOWDY 23JUL2009. CHK: K. DOWHOWER 23JUL2009. APVD: K. DOWHOWER 23JUL2009.

DIMENSIONS: mm. TOLERANCES UNLESS OTHERWISE SPECIFIED: 0 PLC \pm , 1 PLC ± 0.13 , 2 PLC \pm , 3 PLC \pm , 4 PLC \pm , ANGLES \pm .

MATERIAL: FINISH: Δ

Customer Drawing

SCALE 8:1 SHEET 1 OF 1 REV G

STE TE Connectivity

NAME ASSEMBLY, SOCKET, 114 POSITION, MEZALOK STACKING CONNECTOR

SIZE CAGE CODE DRAWING NO. RESTRICTED TO: A1 00779 C=2102061