



Chipsmall Limited consists of a professional team with an average of over 10 year of expertise in the distribution of electronic components. Based in Hongkong, we have already established firm and mutual-benefit business relationships with customers from,Europe,America and south Asia,supplying obsolete and hard-to-find components to meet their specific needs.

With the principle of “Quality Parts,Customers Priority,Honest Operation,and Considerate Service”,our business mainly focus on the distribution of electronic components. Line cards we deal with include Microchip,ALPS,ROHM,Xilinx,Pulse,ON,Everlight and Freescale. Main products comprise IC,Modules,Potentiometer,IC Socket,Relay,Connector.Our parts cover such applications as commercial,industrial, and automotives areas.

We are looking forward to setting up business relationship with you and hope to provide you with the best service and solution. Let us make a better world for our industry!



Contact us

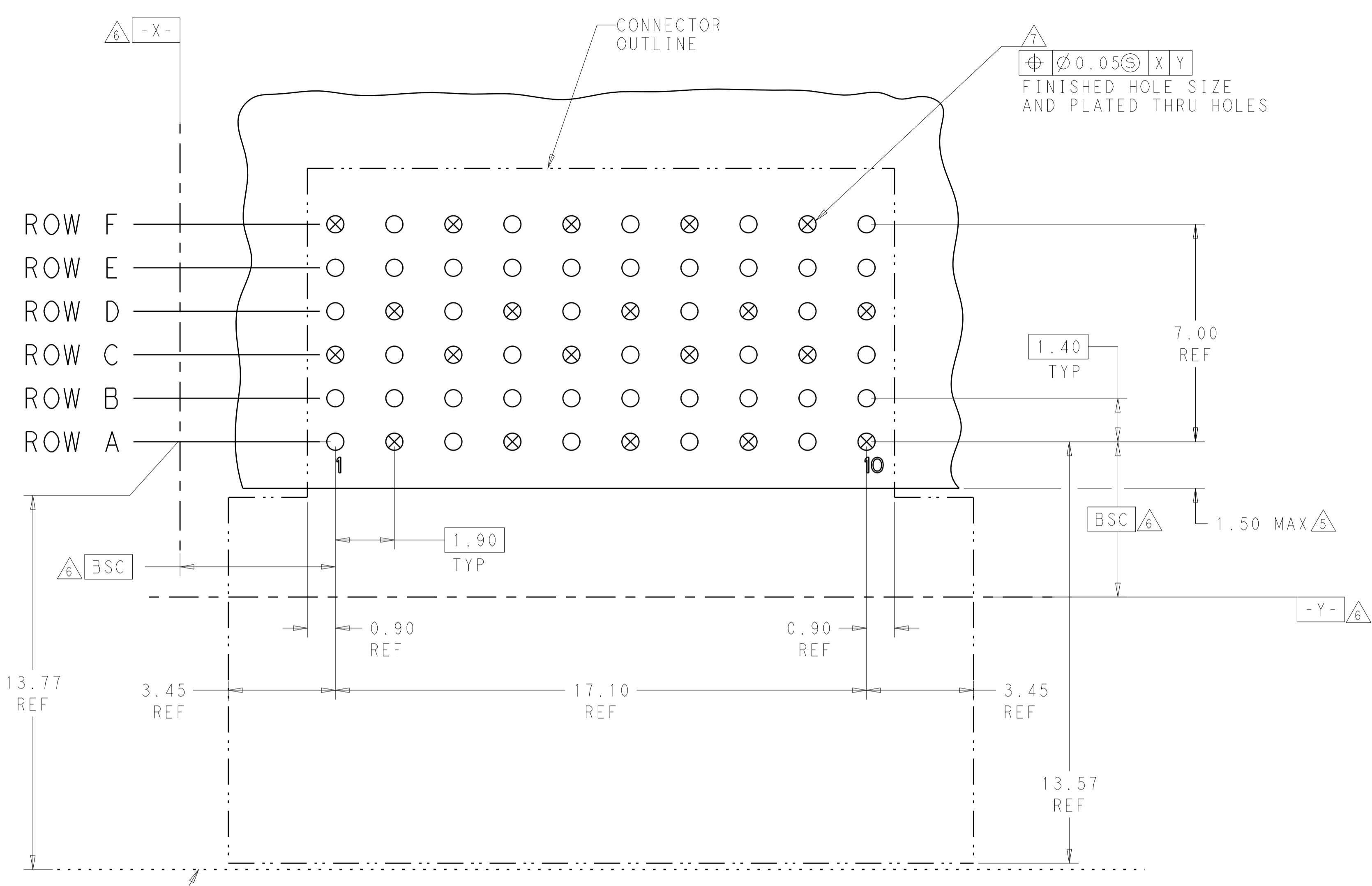
Tel: +86-755-8981 8866 Fax: +86-755-8427 6832

Email & Skype: info@chipsmall.com Web: www.chipsmall.com

Address: A1208, Overseas Decoration Building, #122 Zhenhua RD., Futian, Shenzhen, China



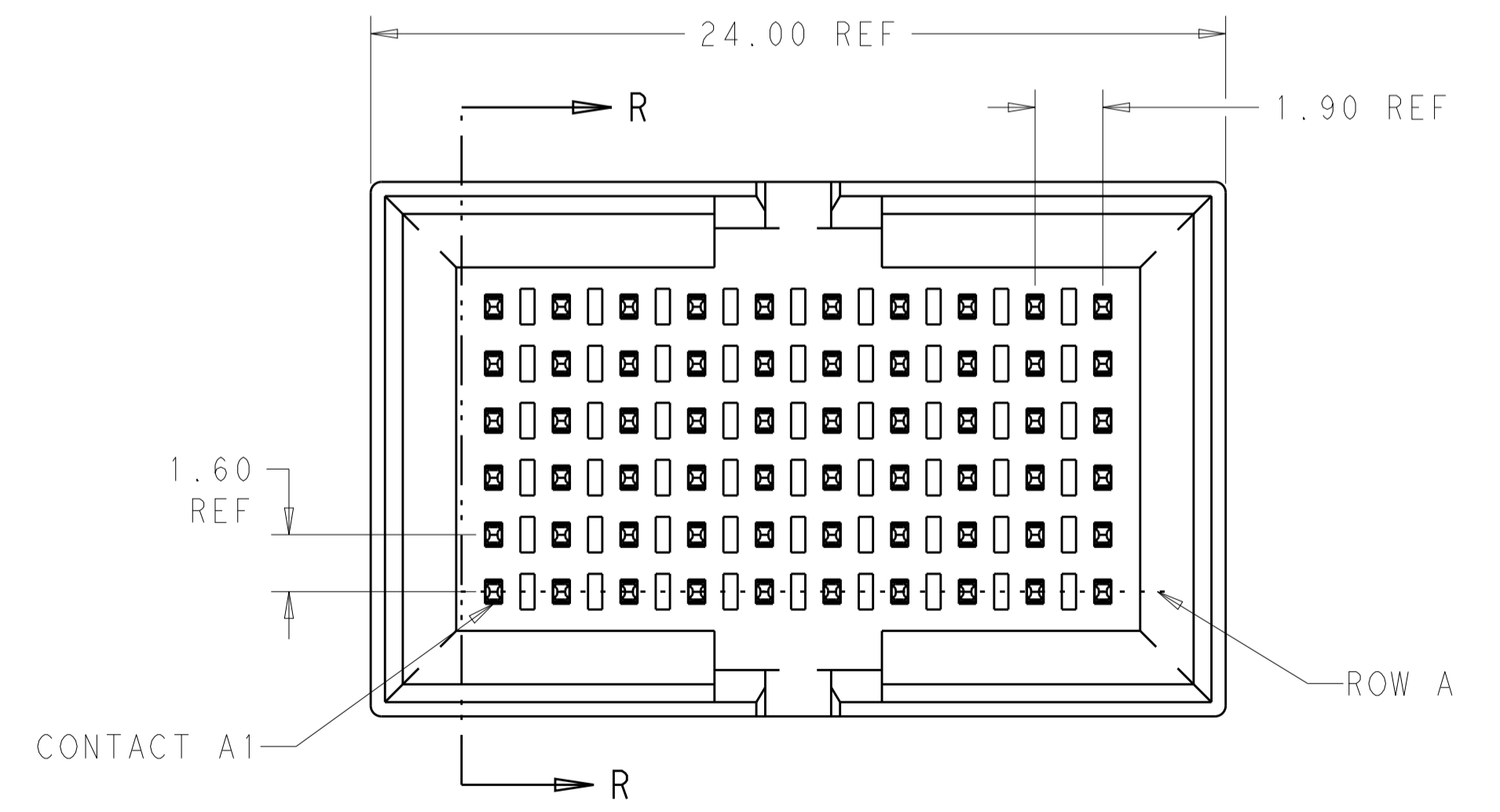
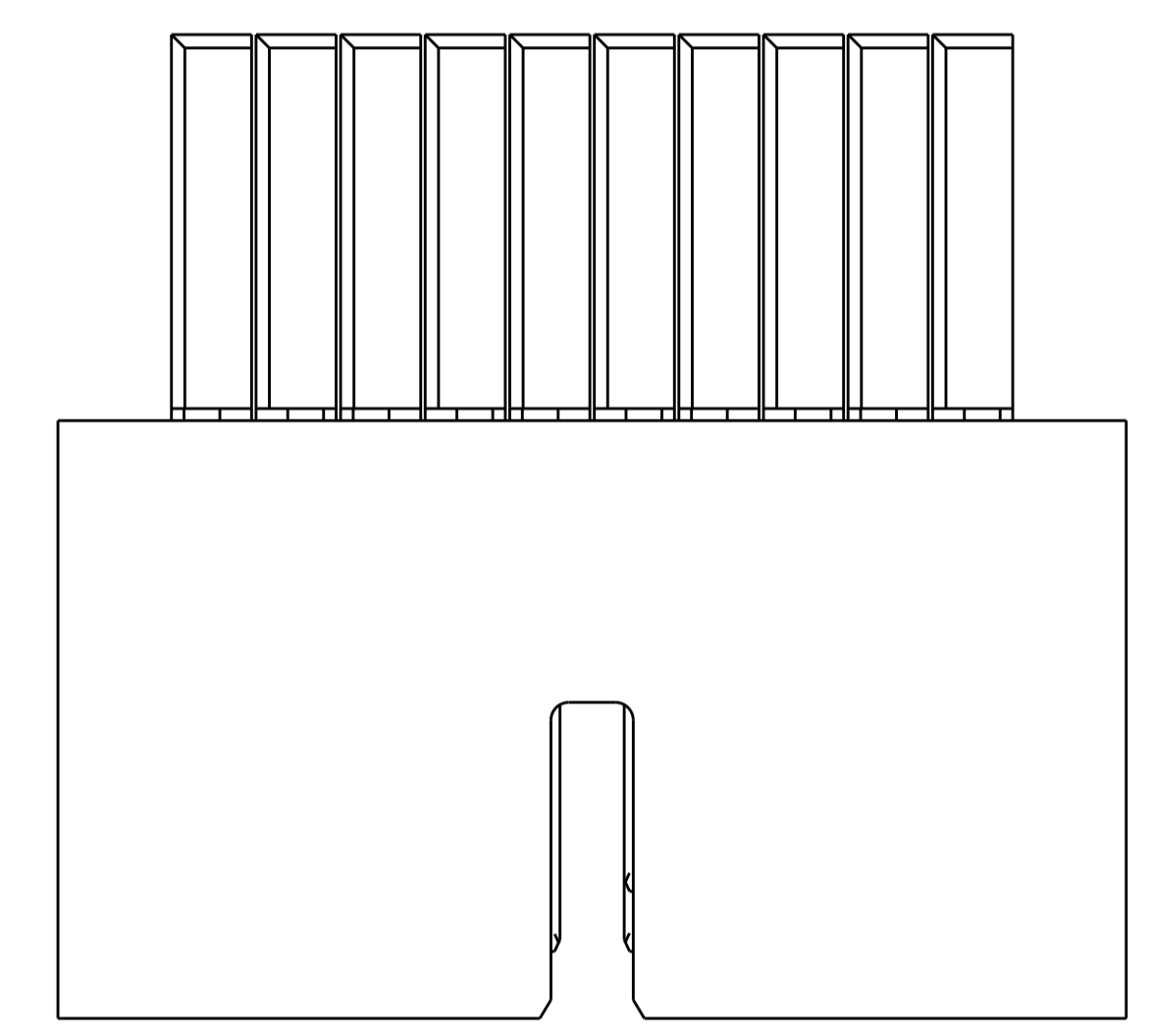
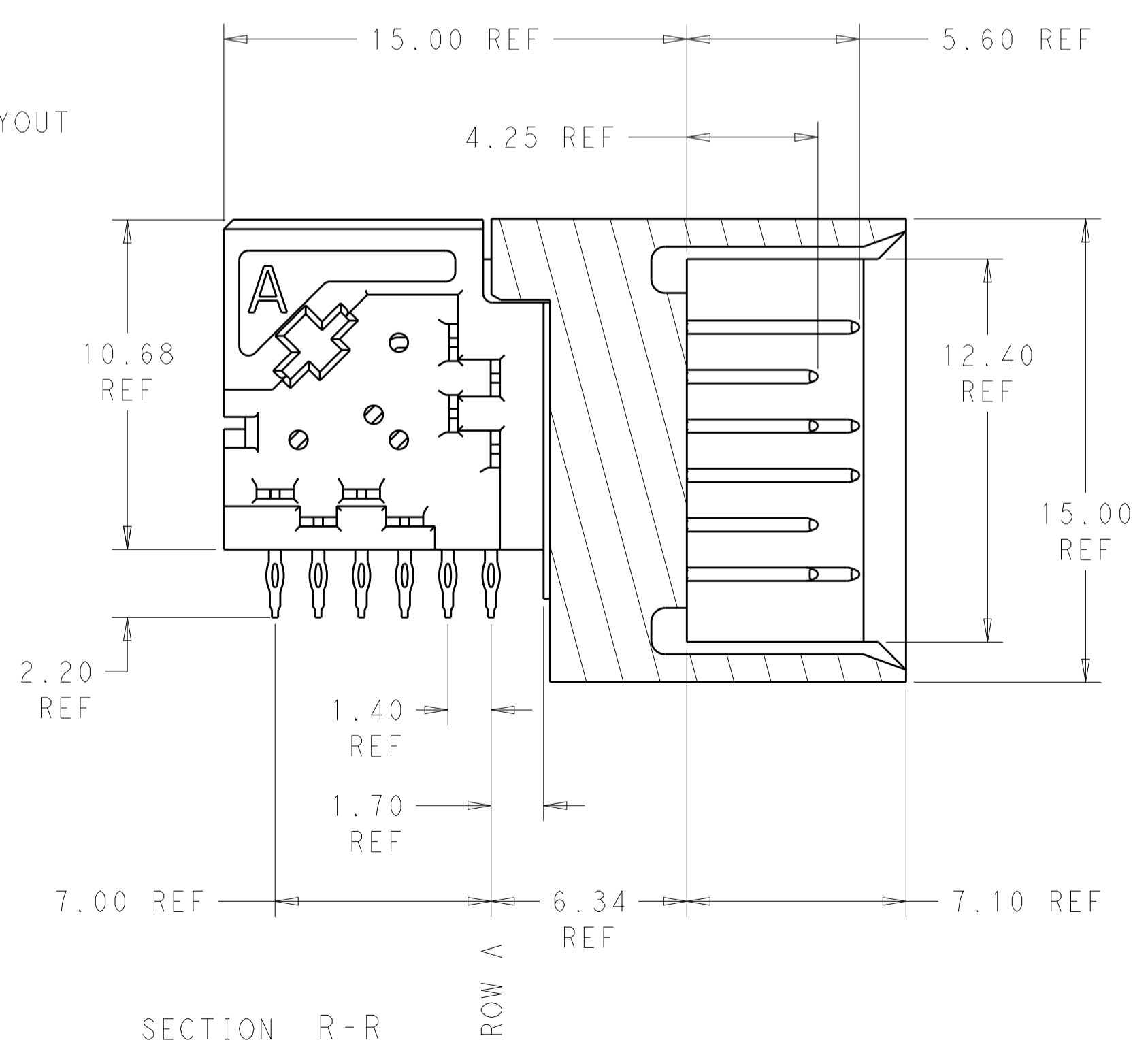
LOC	DIST	REV	DATE	BY	CHK	APPV
A		REVISD PER ECO-12-018102	11OCT2012	MGM	CT	
B		ECO-13-004759	01APR2013	KG	DH	



○ = SIGNAL
 ⊗ = GROUND

RECOMMENDED DIFFERENTIAL PAIR PC BOARD LAYOUT
 COMPONENT SIDE SHOWN
 SCALE 10:1

- 1 MATERIAL:
CONTACT AND SHIELD: COPPER ALLOY
HOUSING AND CHICKLET: LCP, COLOR: BLACK
- 2 FINISH:
CONTACT: MATING AREA: 1.27µm MIN GOLD OVER
1.27µm MIN NICKEL
SHIELD: 1.27µm MIN NICKEL
- 3 FINISH:
COMPLIANT PIN AREA: 0.5µm MIN BRIGHT TIN LEAD OVER
1.27µm MIN NICKEL
- 4 FINISH:
COMPLIANT PIN AREA: 0.5µm MIN MATTE TIN OVER
1.27µm MIN NICKEL
- 5 DIMENSION APPLIES TO CENTERLINE OF THRU HOLE.
- 6 DATUMS AND BASIC DIMENSIONS ESTABLISHED BY CUSTOMER.
- 7 REFERENCE APPLICATION SPEC 114-13267 FOR RECOMMENDED PLATED THRU HOLE DIAMETER AND PLATING THICKNESS.
- 8 RECOMMENDED DIFFERENTIAL PAIR CONFIGURATION SHOWN. THE CONNECTOR UTILIZES AN OPEN PIN FIELD AND CAN BE LAID OUT IN A SINGLE-ENDED CONFIGURATION.



2	4	2102081-2
2	3	2102081-1
FINISH		PART NUMBER

THIS DRAWING IS A CONTROLLED DOCUMENT. DIMENSIONING AND TOLERANCING PER ASME Y14.5M-2009.		DWN: D. BELACK CHK: N. GARIBALDI APPV: M. MALONIS	ZANOV2010	TE Connectivity	
DIMENSIONS: mm		TOLERANCES UNLESS OTHERWISE SPECIFIED:		NAME: Fortis Zd, 2-PAIR, 10-COLUMN, R/A FULL SHROUD ASSEMBLY	
0 PLC	±	1 PLC	±0.13	PRODUCT SPEC	108-2409
2 PLC	±	3 PLC	±0.05	APPLICATION SPEC	114-13267
4 PLC	±	ANGLES	±	SIZE	114-13267
MATERIAL		FINISH		WEIGHT	~7.45g
Customer Drawing		Customer Drawing		SCALE	6:1
A100779				C=2102081	RESTRICTED TO
SHEET 1 OF 1				REV	B