



Chipsmall Limited consists of a professional team with an average of over 10 year of expertise in the distribution of electronic components. Based in Hongkong, we have already established firm and mutual-benefit business relationships with customers from,Europe,America and south Asia,supplying obsolete and hard-to-find components to meet their specific needs.

With the principle of "Quality Parts,Customers Priority,Honest Operation,and Considerate Service",our business mainly focus on the distribution of electronic components. Line cards we deal with include Microchip,ALPS,ROHM,Xilinx,Pulse,ON,Everlight and Freescale. Main products comprise IC,Modules,Potentiometer,IC Socket,Relay,Connector.Our parts cover such applications as commercial,industrial, and automotives areas.

We are looking forward to setting up business relationship with you and hope to provide you with the best service and solution. Let us make a better world for our industry!



## Contact us

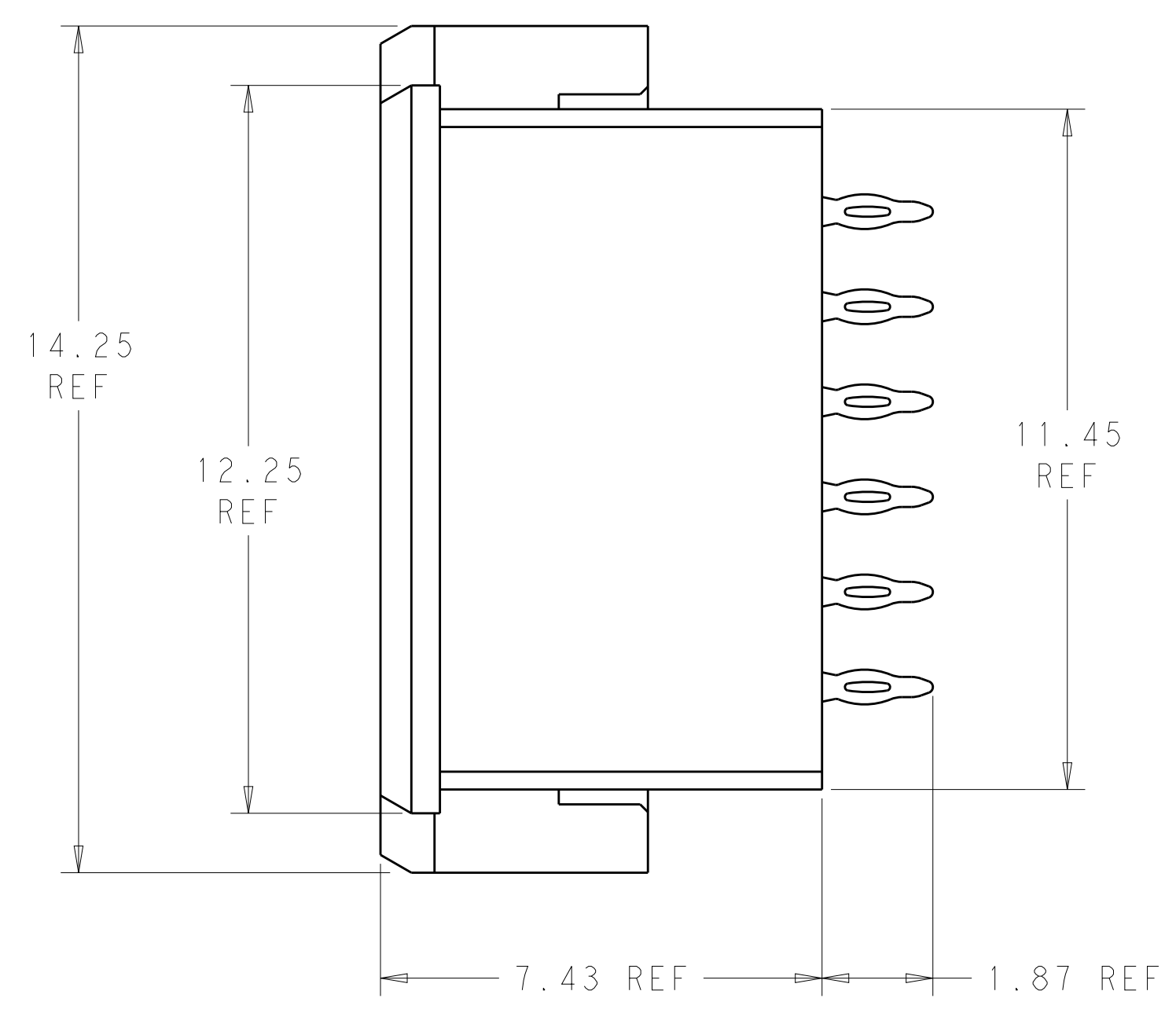
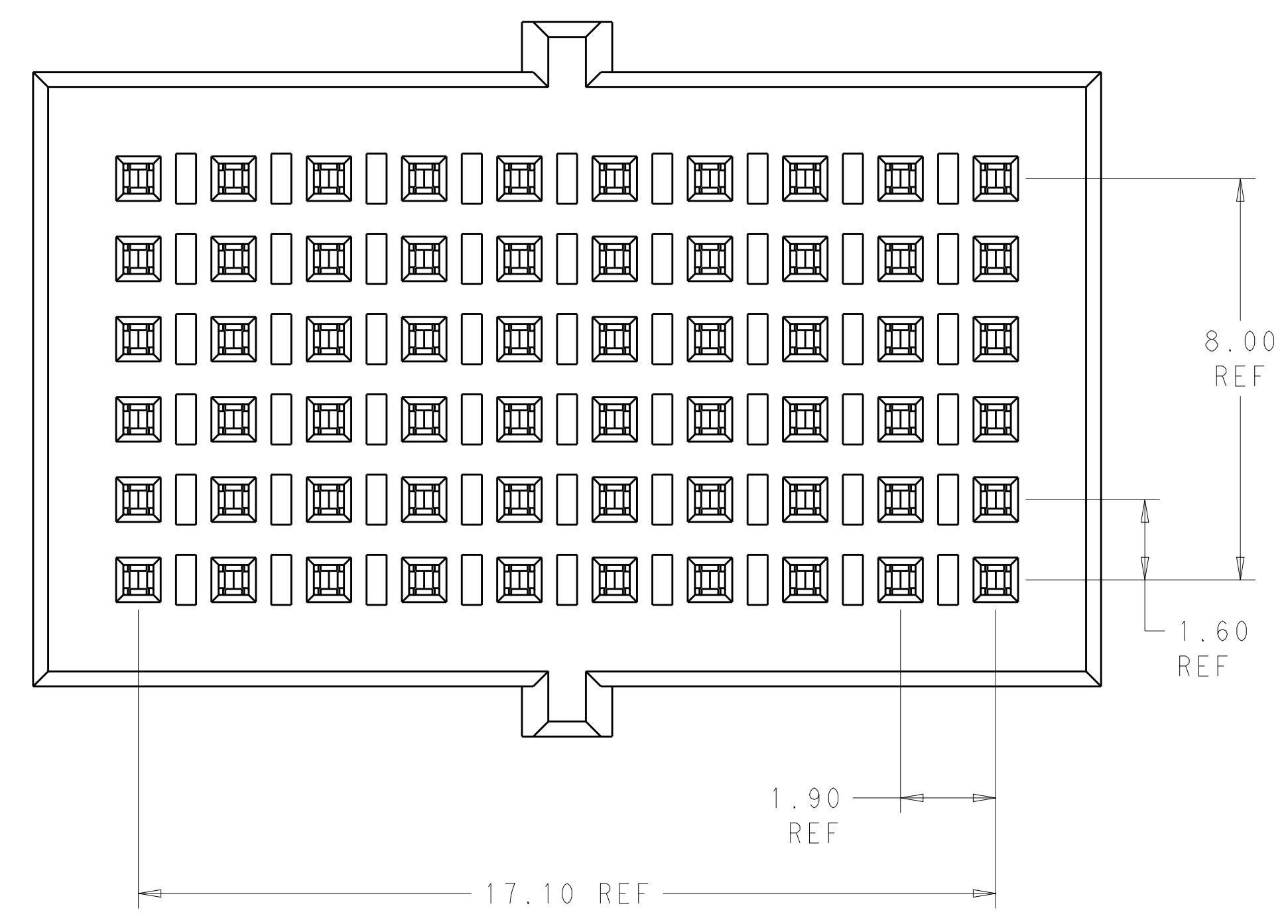
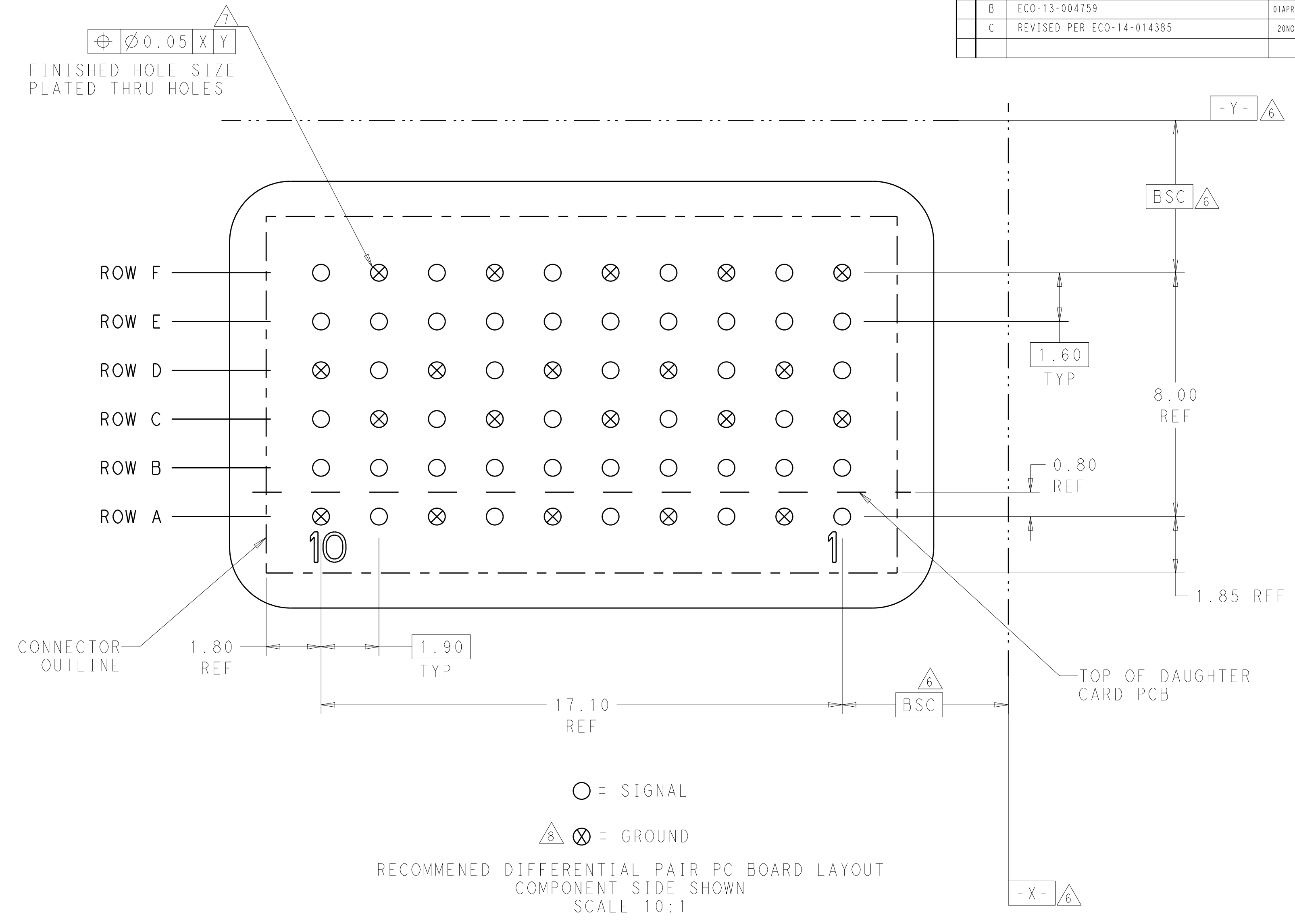
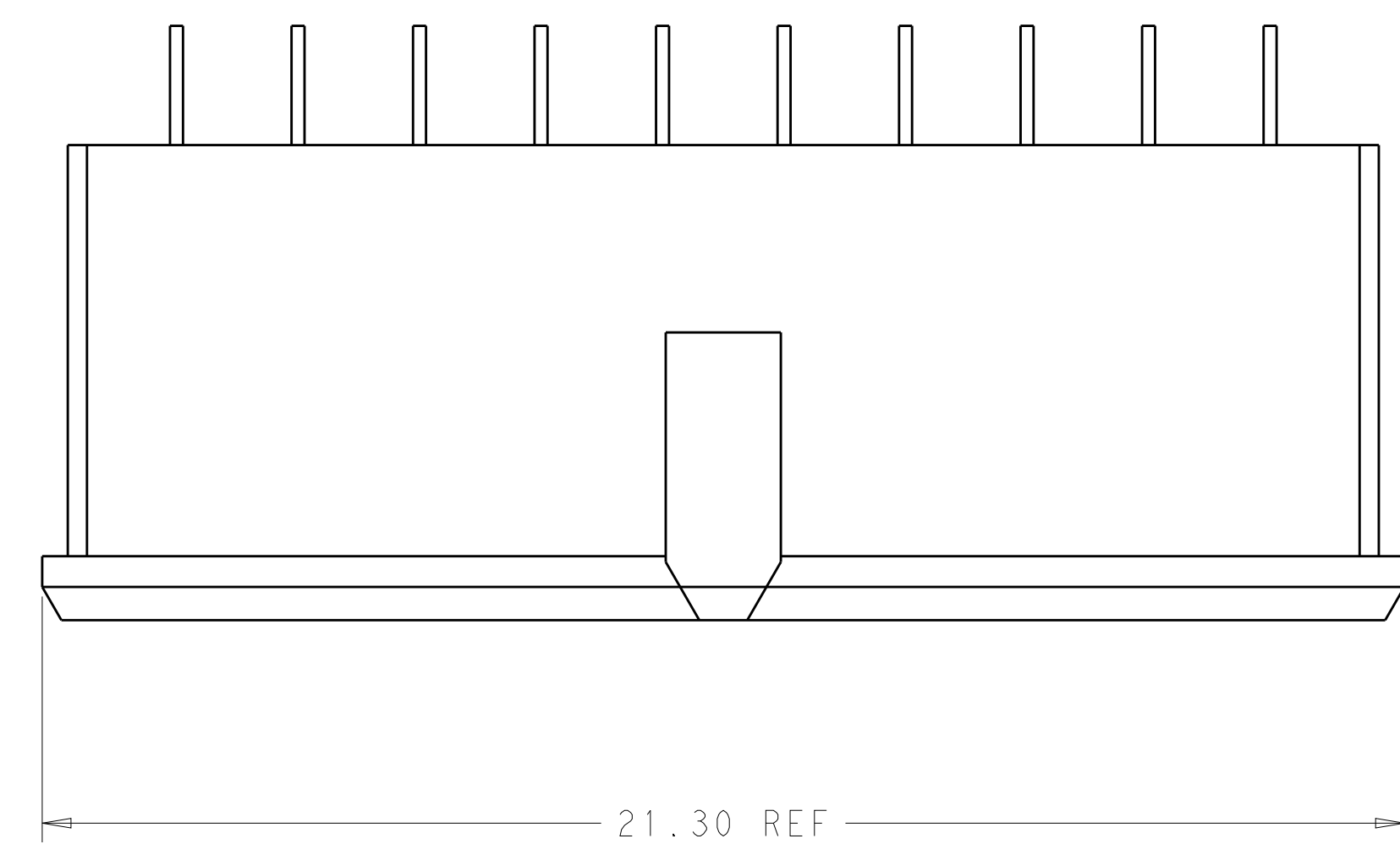
Tel: +86-755-8981 8866 Fax: +86-755-8427 6832

Email & Skype: info@chipsmall.com Web: www.chipsmall.com

Address: A1208, Overseas Decoration Building, #122 Zhenhua RD., Futian, Shenzhen, China



| LOC | DIST | REV | DATE      | BY  | CHK | APPV |
|-----|------|-----|-----------|-----|-----|------|
| -   | -    | A   | 11OCT2012 | MGM | CT  |      |
| -   | -    | B   | 01APR2013 | KG  | DH  |      |
| -   | -    | C   | 20NOV14   | MGM | CT  |      |



- 1 MATERIAL:  
CONTACT - COPPER ALLOY  
HOUSING - LCP, COLOR - BLACK
- 2 FINISH:  
MATING AREA: 1.27µm MIN GOLD OVER  
1.25µm MIN NICKEL
- 3 FINISH:  
COMPLIANT PIN AREA: 0.38µm MIN BRIGHT TIN LEAD  
OVER 1.27µm MIN NICKEL
- 4 FINISH:  
COMPLIANT PIN AREA: 0.38µm MIN MATTE TIN  
OVER 1.27µm MIN NICKEL
- 5 --
- 6 DATUMS AND BASIC DIMENSIONS ESTABLISHED BY CUSTOMER.
- 7 REFERENCE APPLICATION SPEC 114-13267 FOR RECOMMENDED  
PLATING THRU HOLE DIAMETER AND PLATING THICKNESS.
- 8 RECOMMENDED DIFFERENTIAL PAIR CONFIGURATION SHOWN.  
THE CONNECTOR UTILIZES AN OPEN PIN FIELD AND  
CAN BE LAID OUT IN A SINGLE-ENDED CONFIGURATION.

|        |             |
|--------|-------------|
| 2, 4   | 2102094-2   |
| 2, 3   | 2102094-1   |
| FINISH | PART NUMBER |

|                                                                                              |  |                                                                |  |                                                                    |  |
|----------------------------------------------------------------------------------------------|--|----------------------------------------------------------------|--|--------------------------------------------------------------------|--|
| THIS DRAWING IS A CONTROLLED DOCUMENT. DIMENSIONING AND TOLERANCING PER GPS (ISO STANDARDS). |  | DWN: D. BELACK 24NOV2010<br>CHK: A. TSANG<br>APPV: M. McALONIS |  | NAME: Fortis Zd, 2-PAIR, 10-COLUMN, VERTICAL, FULL SHROUD ASSEMBLY |  |
| DIMENSIONS: mm                                                                               |  | TOLERANCES UNLESS OTHERWISE SPECIFIED:                         |  | PRODUCT SPEC: 108-2409                                             |  |
| 0 PLC ±0.13                                                                                  |  | 1 PLC ±0.05                                                    |  | APPLICATION SPEC: 114-13267                                        |  |
| 2 PLC ±0.05                                                                                  |  | 3 PLC ±0.05                                                    |  | SIZE: CAGE CODE: DRAWING NO: A100779C=2102094                      |  |
| 4 PLC ±0.05                                                                                  |  | 5 PLC ±0.05                                                    |  | RESTRICTED TO: -                                                   |  |
| ANGLES ±0.2°                                                                                 |  | FINISH: -                                                      |  | WEIGHT: ~2.73g                                                     |  |
| MATERIAL: -                                                                                  |  | FINISH: -                                                      |  | SCALE: 10:1 SHEET 1 OF 1 REV C                                     |  |
| MATERIAL: -                                                                                  |  | FINISH: -                                                      |  | CUSTOMER DRAWING                                                   |  |