



Chipsmall Limited consists of a professional team with an average of over 10 year of expertise in the distribution of electronic components. Based in Hongkong, we have already established firm and mutual-benefit business relationships with customers from,Europe,America and south Asia,supplying obsolete and hard-to-find components to meet their specific needs.

With the principle of “Quality Parts,Customers Priority,Honest Operation,and Considerate Service”,our business mainly focus on the distribution of electronic components. Line cards we deal with include Microchip,ALPS,ROHM,Xilinx,Pulse,ON,Everlight and Freescale. Main products comprise IC,Modules,Potentiometer,IC Socket,Relay,Connector.Our parts cover such applications as commercial,industrial, and automotives areas.

We are looking forward to setting up business relationship with you and hope to provide you with the best service and solution. Let us make a better world for our industry!



Contact us

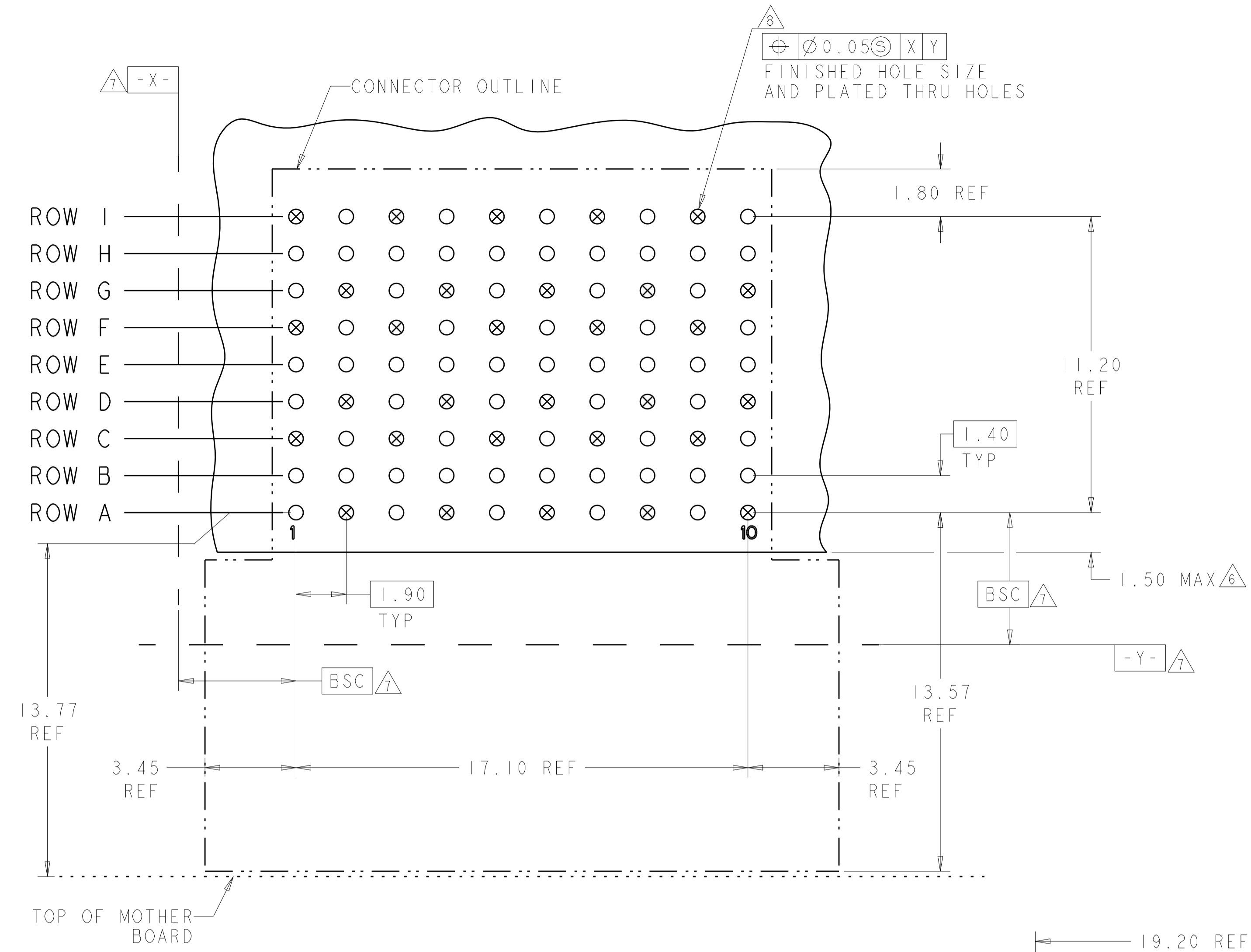
Tel: +86-755-8981 8866 Fax: +86-755-8427 6832

Email & Skype: info@chipsmall.com Web: www.chipsmall.com

Address: A1208, Overseas Decoration Building, #122 Zhenhua RD., Futian, Shenzhen, China



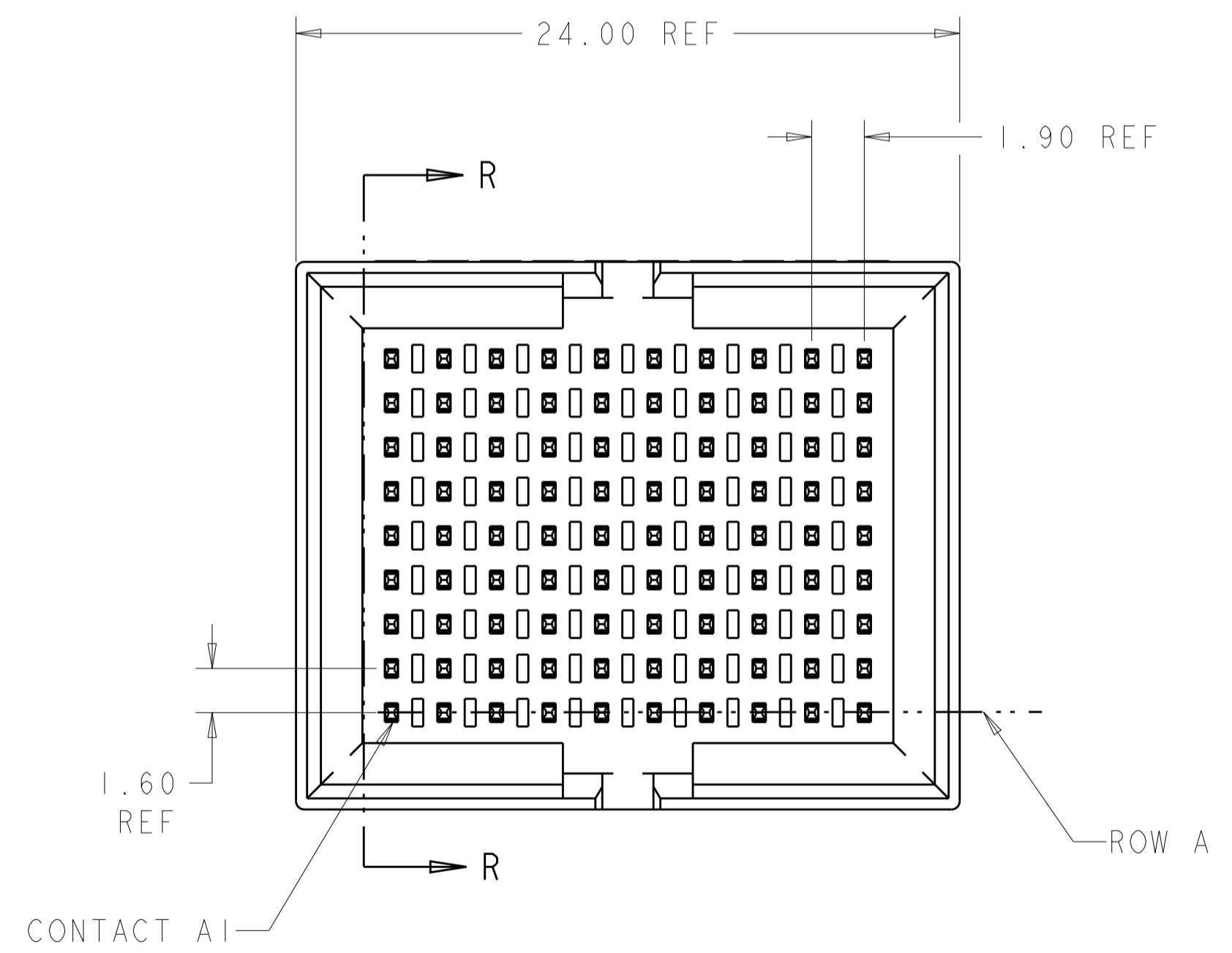
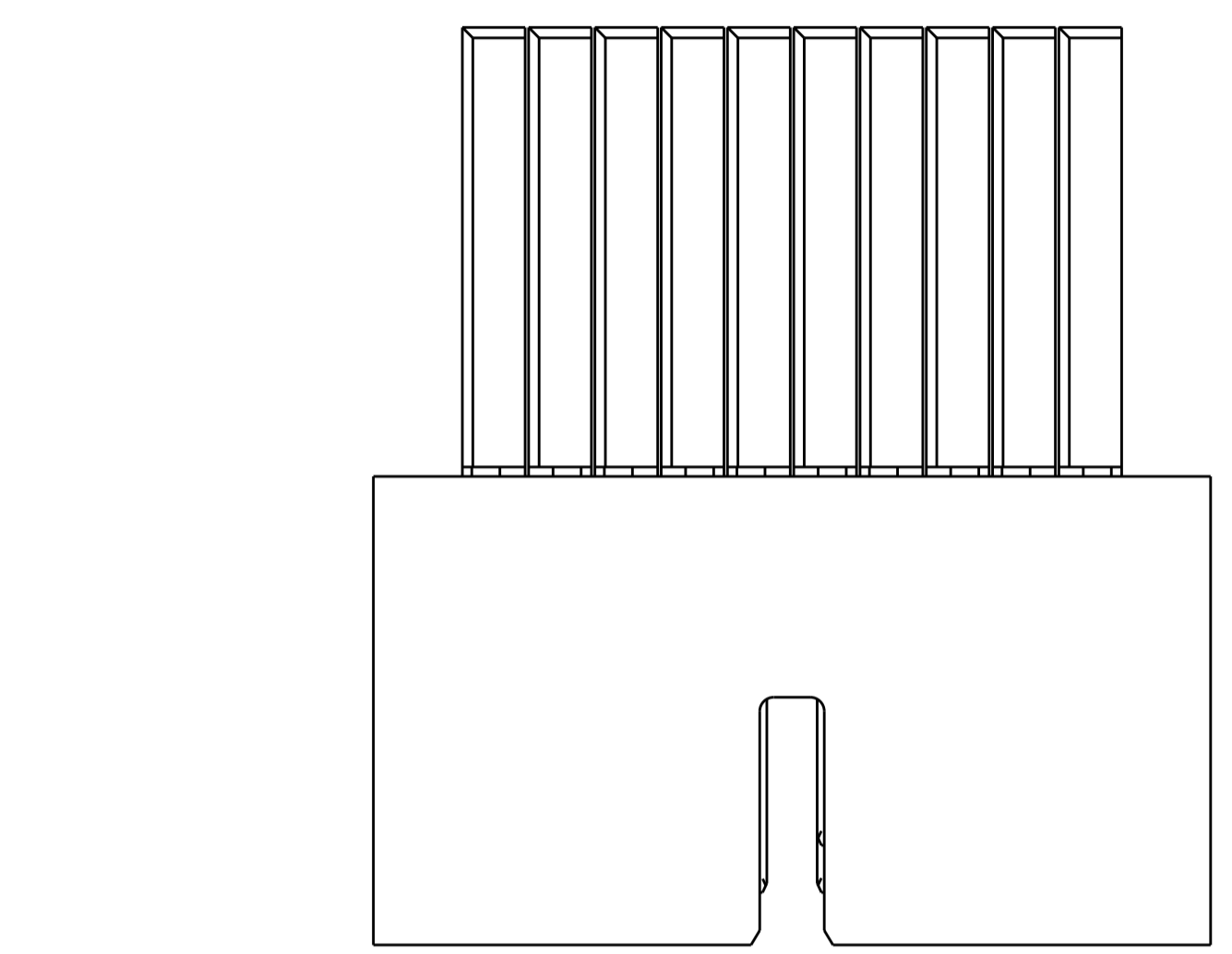
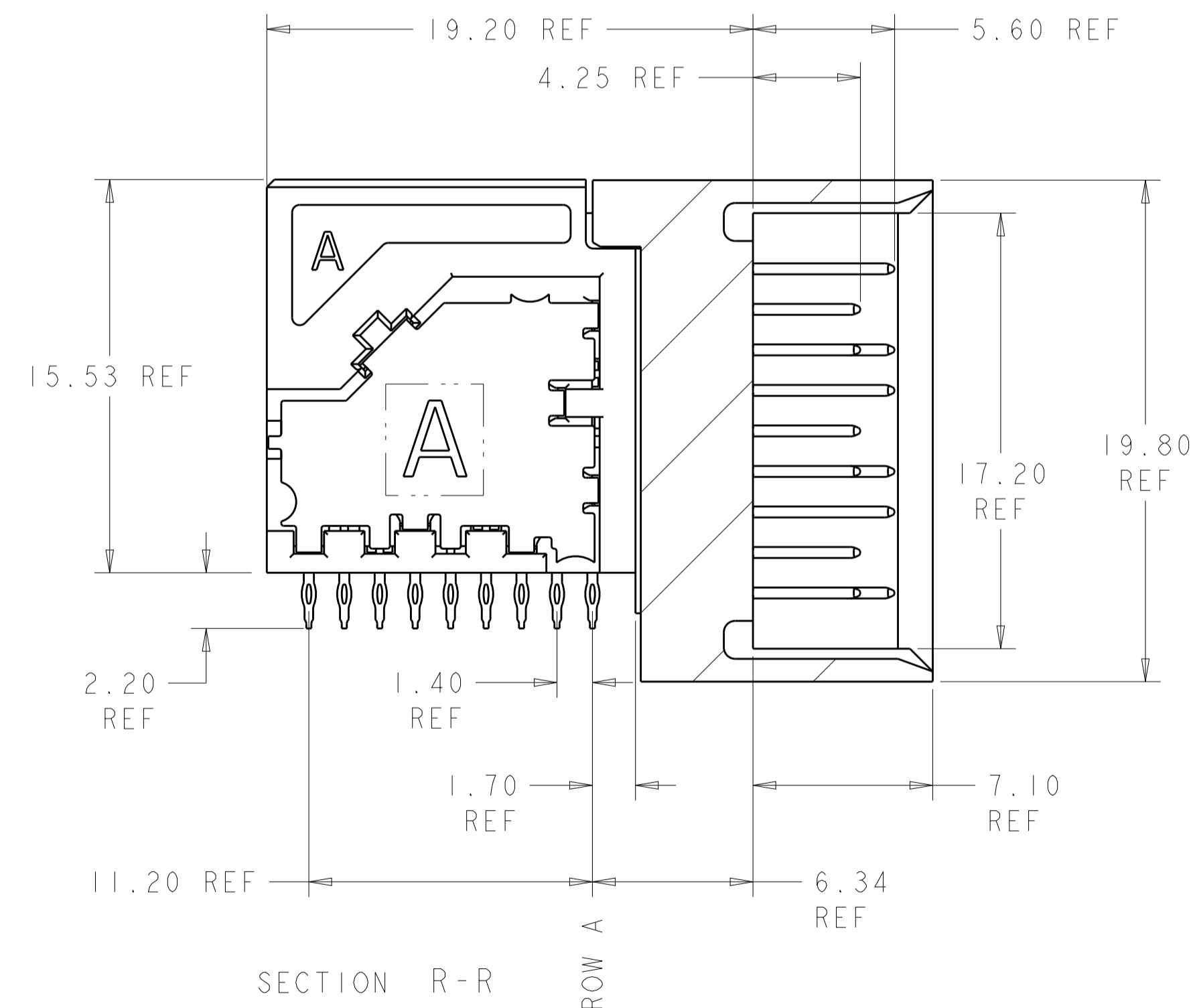
| LOC | | DIST | | REVISIONS | | | |
|-----|-----|-----------------------|-----------|-----------|------|--|--|
| P | LTN | DESCRIPTION | DATE | DWN | APVD | | |
| B | | REV PER ECO 12-010940 | 7-31-12 | CT | DH | | |
| C | | ECO-13-004755 | 26MAR2013 | KG | DH | | |



○ = SIGNAL
 ⊗ = GROUND

RECOMMENDED PC BOARD LAYOUT
 COMPONENT SIDE SHOWN
 SCALE 8:1

- △ MATERIAL:
 CONTACT AND SHIELD: COPPER ALLOY
 HOUSING AND CHICKLET: LCP, COLOR: BLACK
- △ FINISH:
 CONTACT: MATING AREA: 1.27μm MIN GOLD OVER
 1.27μm MIN NICKEL
 SHIELD: 1.27μm MIN NICKEL
- △ FINISH:
 COMPLIANT PIN AREA: 0.38μm MIN BRIGHT TIN LEAD OVER
 1.27μm MIN NICKEL
- △ FINISH:
 COMPLIANT PIN AREA: 0.38μm MIN MATTE TIN OVER
 1.27μm MIN NICKEL
- △ FINISH:
 COMPLIANT PIN AREA: 0.38μm MIN GOLD OVER
 1.27μm MIN NICKEL
- △ DIMENSION APPLIES TO CENTERLINE OF THRU HOLE.
- △ DATUMS AND BASIC DIMENSIONS ESTABLISHED BY CUSTOMER.
- △ REFERENCE APPLICATION SPEC 114-13267 FOR RECOMMENDED
 PLATED THRU HOLE DIAMETER AND PLATING THICKNESS.
- △ ALL GROUNDS IN ODD NUMBERED COLUMNS ARE COMMONED.
 ALL GROUNDS IN EVEN NUMBERED COLUMNS, EXCEPT FOR ROW A
 ARE COMMONED.



| | |
|---------|-------------|
| △ 2 △ 5 | 2102155-3 |
| △ 2 △ 4 | 2102155-2 |
| △ 2 △ 3 | 2102155-1 |
| FINISH | PART NUMBER |

THIS DRAWING IS A CONTROLLED DOCUMENT. DIMENSIONING AND TOLERANCING PER: GPS (ISO STANDARDS)

DIMENSIONS: mm

TOLERANCES UNLESS OTHERWISE SPECIFIED:
 0 PLC ±
 1 PLC ±.13
 3 PLC ±.05
 4 PLC ±
 ANGLES °

MATERIAL:

FINISH: -

DWN: D. BELACK 24JUN2009
 CHK: A. TSANG 6-24-2009
 APVD: M. McALONIS 6-24-2009

PRODUCT SPEC: 108-2409
 APPLICATION SPEC: 114-13267
 WEIGHT: ~14.07g

NAME: Fortis Zd, 3-PAIR, 10-COLUMN, R/A, FULL SHROUD ASSEMBLY DIFFERENTIAL PAIR

SIZE: A1
 CAGE CODE: 2102155
 DRAWING NO: 2102155

RESTRICTED TO: -

CUSTOMER DRAWING SCALE: 5:1 SHEET: 1 OF 1 REV: C

STE TE Connectivity