



Chipsmall Limited consists of a professional team with an average of over 10 year of expertise in the distribution of electronic components. Based in Hongkong, we have already established firm and mutual-benefit business relationships with customers from,Europe,America and south Asia,supplying obsolete and hard-to-find components to meet their specific needs.

With the principle of "Quality Parts,Customers Priority,Honest Operation,and Considerate Service",our business mainly focus on the distribution of electronic components. Line cards we deal with include Microchip,ALPS,ROHM,Xilinx,Pulse,ON,Everlight and Freescale. Main products comprise IC,Modules,Potentiometer,IC Socket,Relay,Connector.Our parts cover such applications as commercial,industrial, and automotives areas.

We are looking forward to setting up business relationship with you and hope to provide you with the best service and solution. Let us make a better world for our industry!



## Contact us

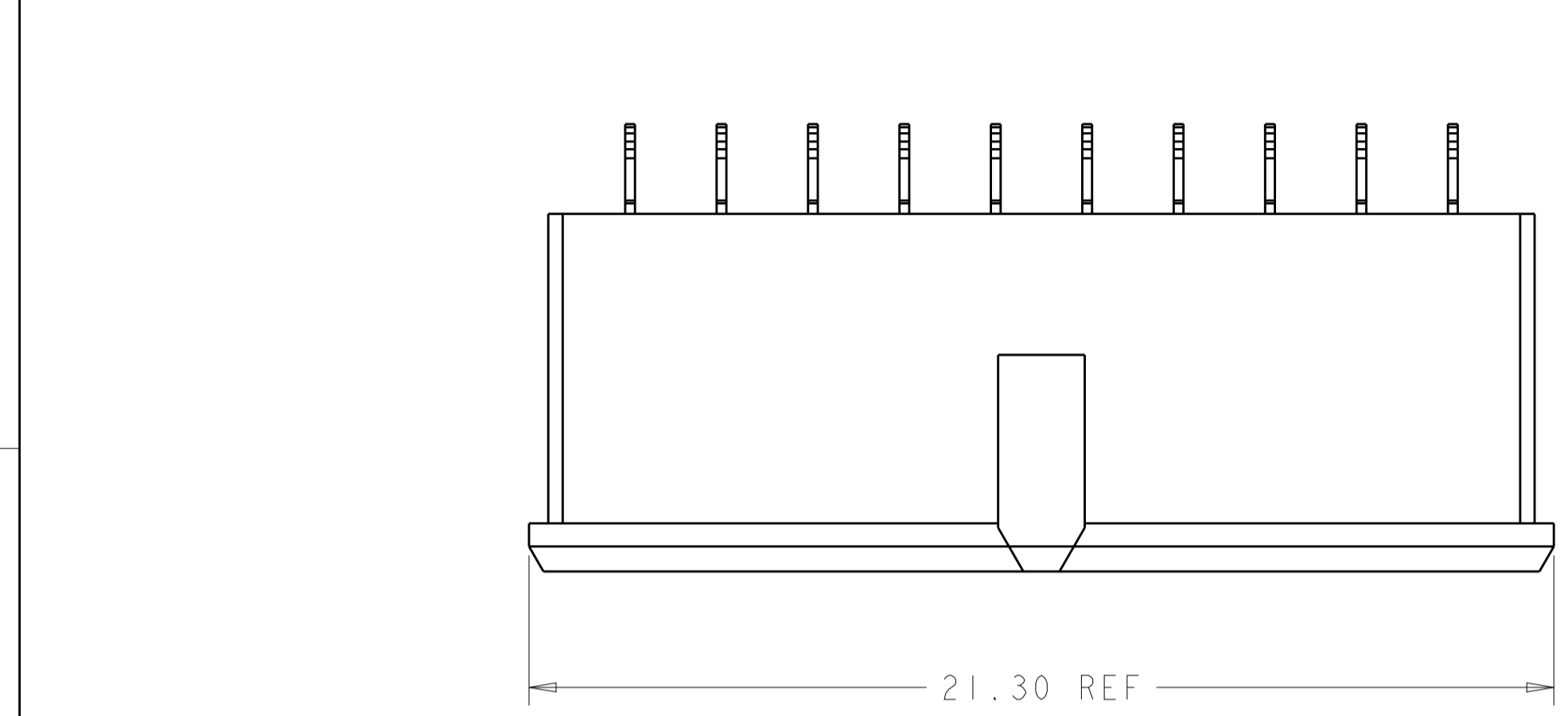
Tel: +86-755-8981 8866 Fax: +86-755-8427 6832

Email & Skype: info@chipsmall.com Web: www.chipsmall.com

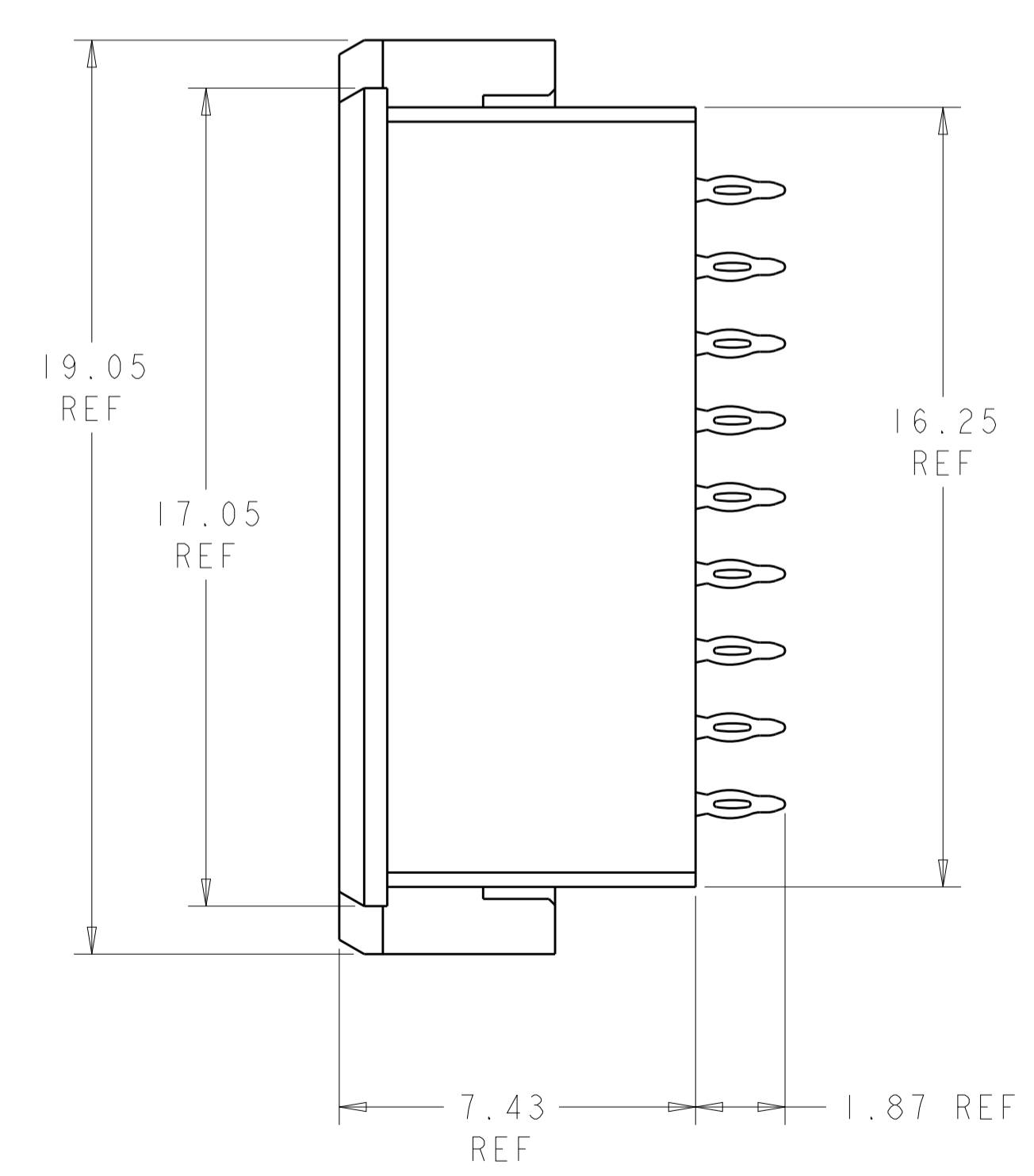
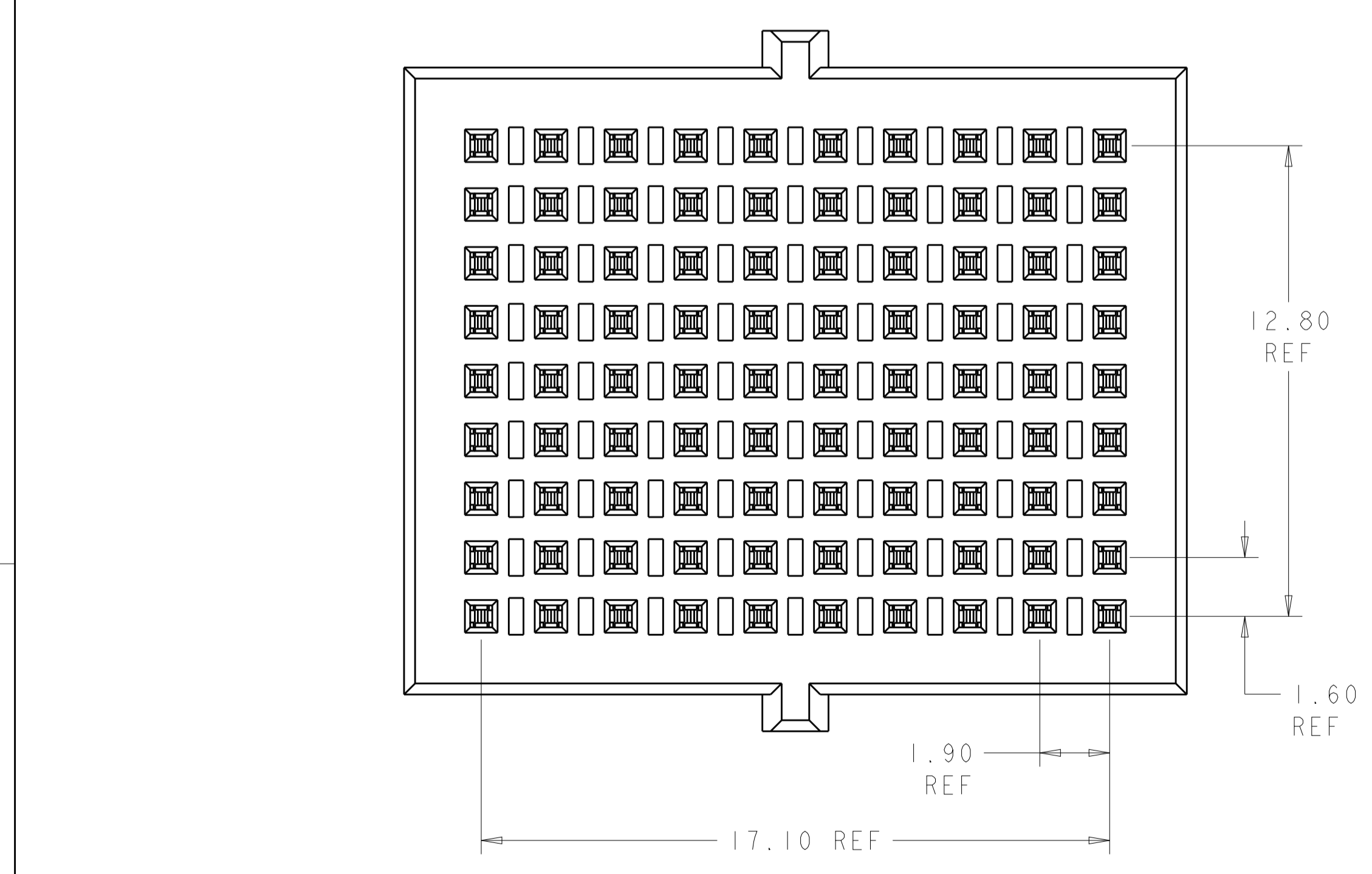
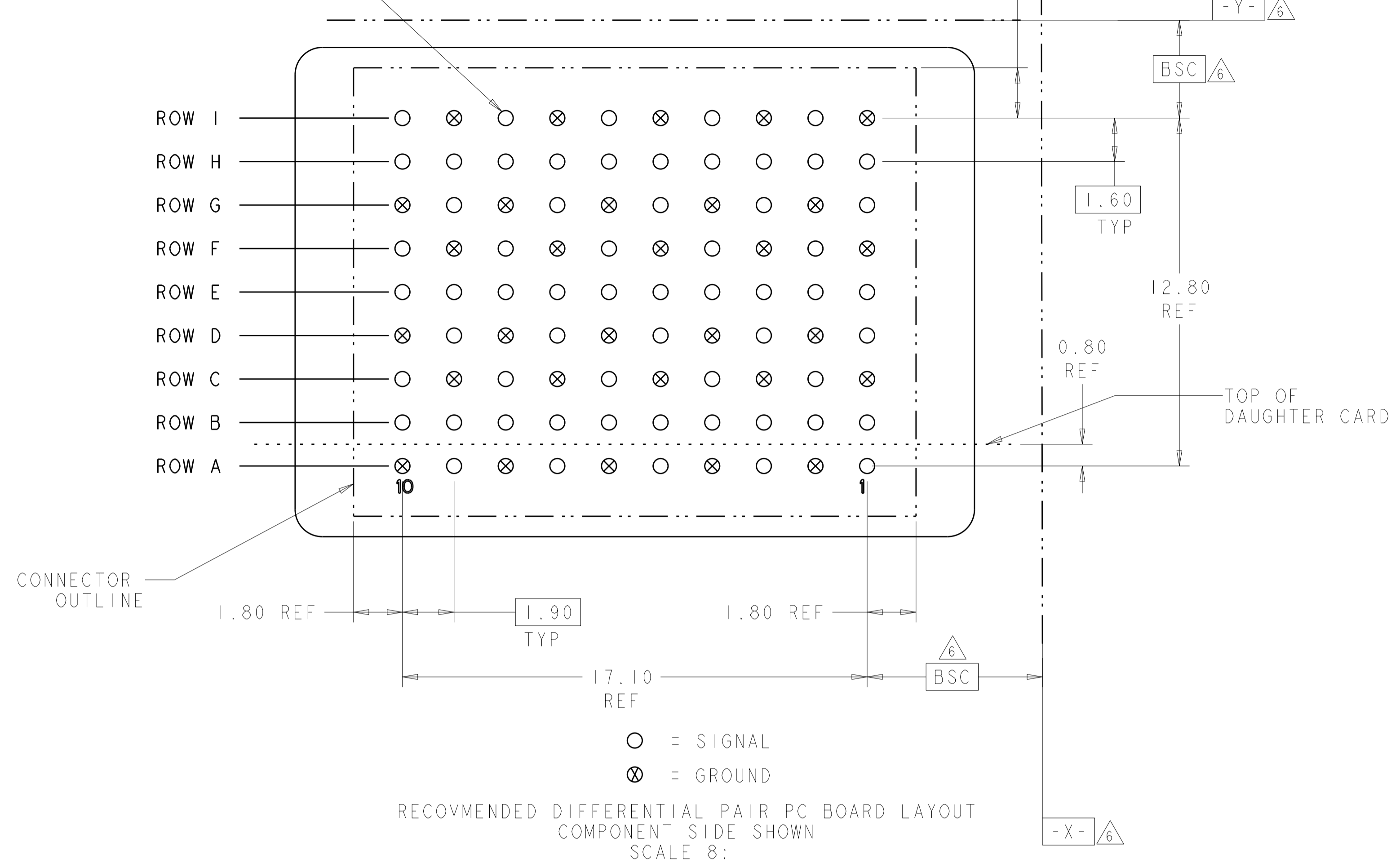
Address: A1208, Overseas Decoration Building, #122 Zhenhua RD., Futian, Shenzhen, China



LOC		DIST		REVISIONS			
P	LTN	DESCRIPTION	DATE	DMN	APVD		
B		REV PER ECO 12-010940	7-31-12	CT	DH		
C		ECO-13-004755	26MAR2013	KG	DH		



$\oplus \text{ } \varnothing 0.05 \text{ } \ominus \text{ } X \text{ } Y$   
 FINISHED HOLE SIZE  
 AND PLATED THRU HOLES



- 1 MATERIAL:  
 CONTACT - COPPER ALLOY  
 HOUSING - LCP, COLOR - BLACK
- 2 FINISH:  
 MATING AREA: 1.27µm MIN GOLD OVER  
 1.27µm MIN NICKEL
- 3 FINISH:  
 COMPLIANT PIN AREA: 0.38µm MIN BRIGHT TIN LEAD  
 OVER 1.27µm MIN NICKEL
- 4 FINISH:  
 COMPLIANT PIN AREA: 0.38µm MIN MATTE TIN  
 OVER 1.27µm MIN NICKEL
- 5 FINISH:  
 COMPLIANT PIN AREA: 0.38µm MIN GOLD  
 OVER 1.27µm MIN NICKEL
- 6 DATUMS AND BASIC DIMENSIONS ESTABLISHED BY CUSTOMER.
- 7 REFERENCE APPLICATION SPEC 114-13267 FOR RECOMMENDED  
 PLATING THRU HOLE DIAMETER AND PLATING THICKNESS.

2, 5	2102157-3
2, 4	2102157-2
2, 3	2102157-1
FINISH	PART NUMBER

THIS DRAWING IS A CONTROLLED DOCUMENT. DIMENSIONING AND TOLERANCING PER GPS (150 STANDARDS).		DMN D. BELACK 24JUN2009	TE Connectivity	
TOLERANCES UNLESS OTHERWISE SPECIFIED:		CHK A. TSANG 6-24-2009	NAME Fortis Zd. 3-PAIR, 10-COLUMN, VERTICAL, SINGLE MODULE ASSEMBLY	
DIMENSIONS:	mm	APVD M. McALONIS 6-24-2009	PRODUCT SPEC 108-2409	
0 PLC	±	APPLICATION SPEC 114-13267	SIZE A100779	
1 PLC	±0.13	WEIGHT ~3.83g	CAGE CODE 2102157	
2 PLC	±0.05	CUSTOMER DRAWING	RESTRICTED TO	
3 PLC	±		SCALE 8:1 SHEET 1 OF 1 REV C	
4 PLC	±			
ANGLES	±2°			
FINISH				