



Chipsmall Limited consists of a professional team with an average of over 10 year of expertise in the distribution of electronic components. Based in Hongkong, we have already established firm and mutual-benefit business relationships with customers from,Europe,America and south Asia,supplying obsolete and hard-to-find components to meet their specific needs.

With the principle of "Quality Parts,Customers Priority,Honest Operation,and Considerate Service",our business mainly focus on the distribution of electronic components. Line cards we deal with include Microchip,ALPS,ROHM,Xilinx,Pulse,ON,Everlight and Freescale. Main products comprise IC,Modules,Potentiometer,IC Socket,Relay,Connector.Our parts cover such applications as commercial,industrial, and automotives areas.

We are looking forward to setting up business relationship with you and hope to provide you with the best service and solution. Let us make a better world for our industry!



## Contact us

Tel: +86-755-8981 8866 Fax: +86-755-8427 6832

Email & Skype: info@chipsmall.com Web: www.chipsmall.com

Address: A1208, Overseas Decoration Building, #122 Zhenhua RD., Futian, Shenzhen, China



1 2 3 4 5 6

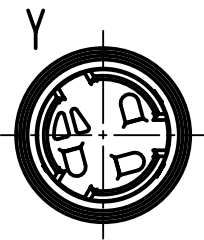
A

B

C

D

Gesamtlänge im verschraubten Zustand ca. 40,8mm  
 Complete length when assembled app. 40,8mm



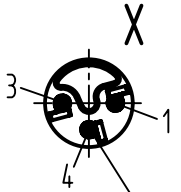
X

M8x1

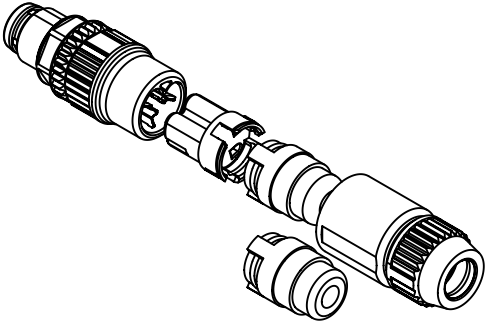
SW9  
 width across  
 flats 9

Ø 11,5

Y



Steckgesicht n.  
 Contact face acc. to  
 IEC 61076-2-104



Leiterquerschnitt conductor cross section	0,08 - 0,14 AWG26 - AWG22
Kabeldurchmesser cable outside diameter	1,9 - 3,5mm

	All Dimensions in mm Original Size DIN A4		Scale 2:1	Free size tol.		Ref.	
	All rights reserved Department EC PD - DE		Created by DYCKC	Inspected by WELLMANN	Standardisation HOFFMANN	Date 2013-01-22	State Final Release
HARTING Electronics GmbH D-32339 Espelkamp			Title HARAX M8-XS male 3-pole			Doc-Key / ECM-Nr. 100213102/UGD/003/B 5300000857288	
			Type TB	Number 21021591305		Rev. B	Page 1/1