



Chipsmall Limited consists of a professional team with an average of over 10 year of expertise in the distribution of electronic components. Based in Hongkong, we have already established firm and mutual-benefit business relationships with customers from,Europe,America and south Asia,supplying obsolete and hard-to-find components to meet their specific needs.

With the principle of “Quality Parts,Customers Priority,Honest Operation,and Considerate Service”,our business mainly focus on the distribution of electronic components. Line cards we deal with include Microchip,ALPS,ROHM,Xilinx,Pulse,ON,Everlight and Freescale. Main products comprise IC,Modules,Potentiometer,IC Socket,Relay,Connector.Our parts cover such applications as commercial,industrial, and automotives areas.

We are looking forward to setting up business relationship with you and hope to provide you with the best service and solution. Let us make a better world for our industry!



Contact us

Tel: +86-755-8981 8866 Fax: +86-755-8427 6832

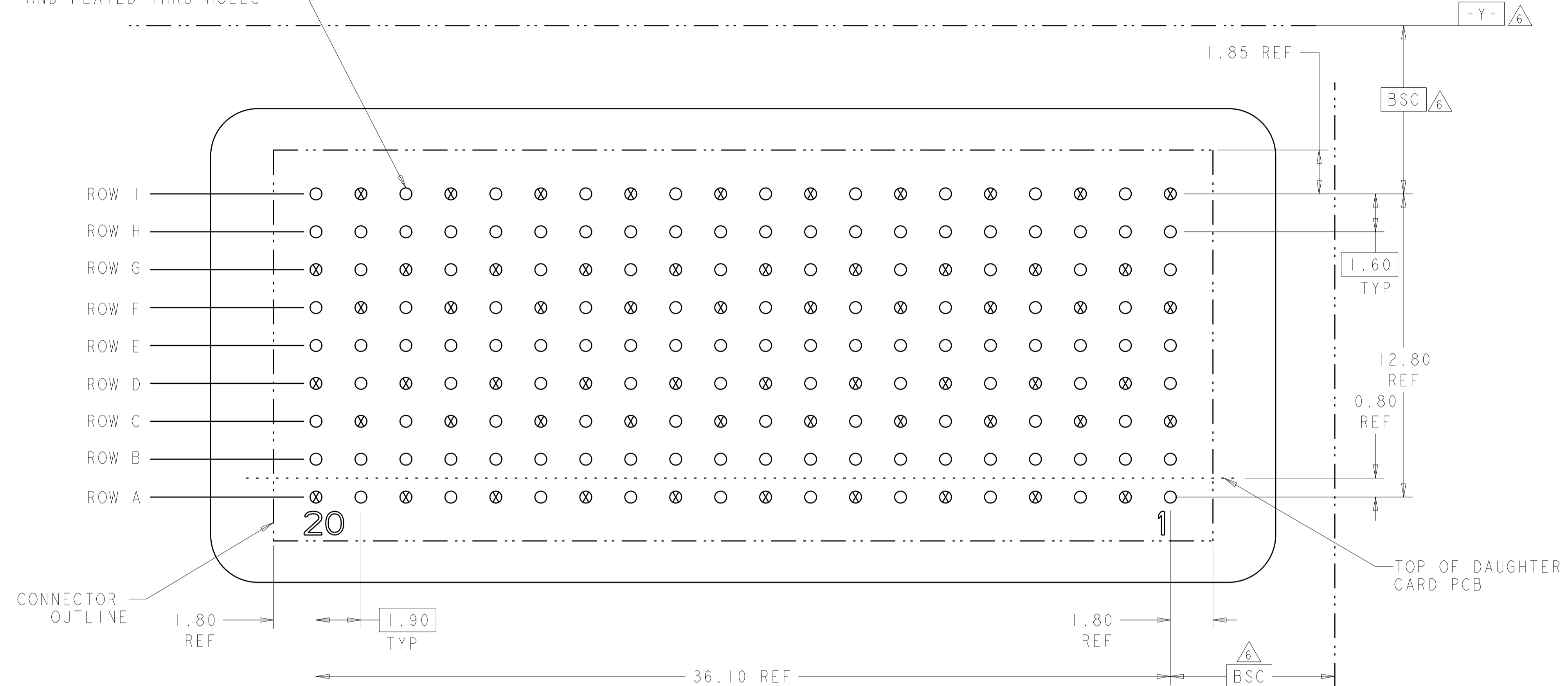
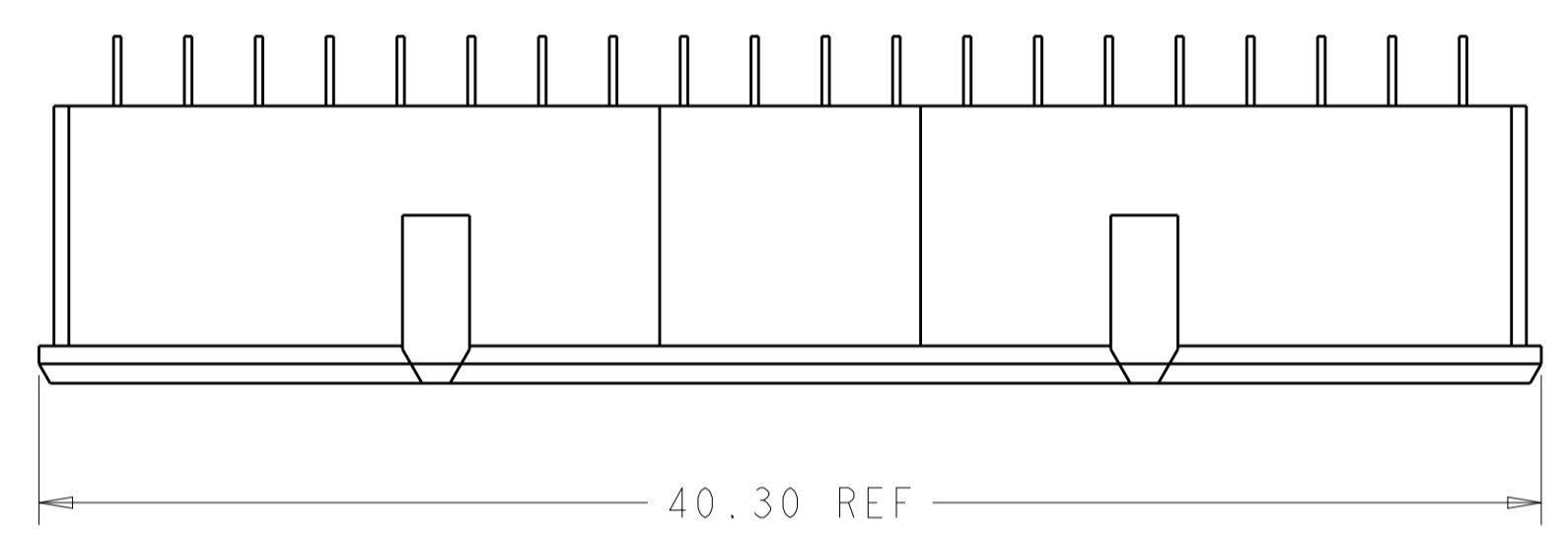
Email & Skype: info@chipsmall.com Web: www.chipsmall.com

Address: A1208, Overseas Decoration Building, #122 Zhenhua RD., Futian, Shenzhen, China



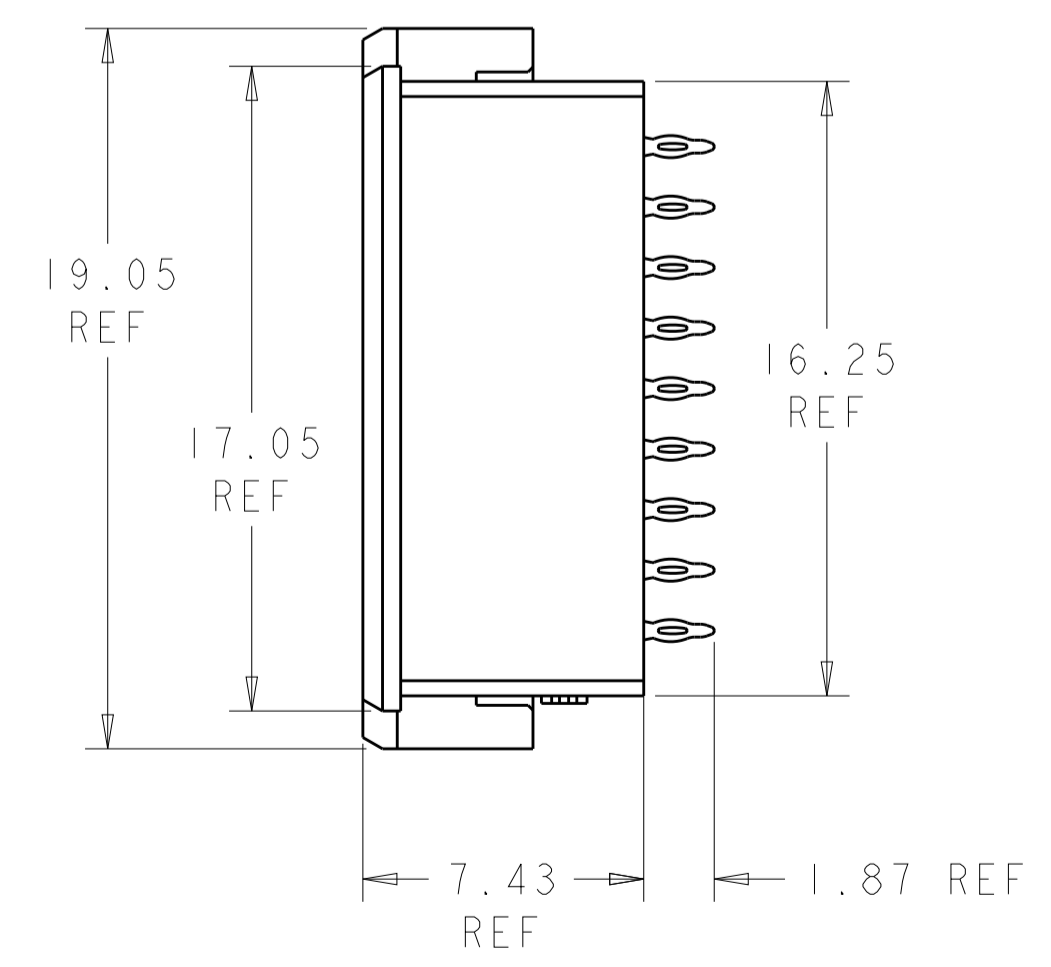
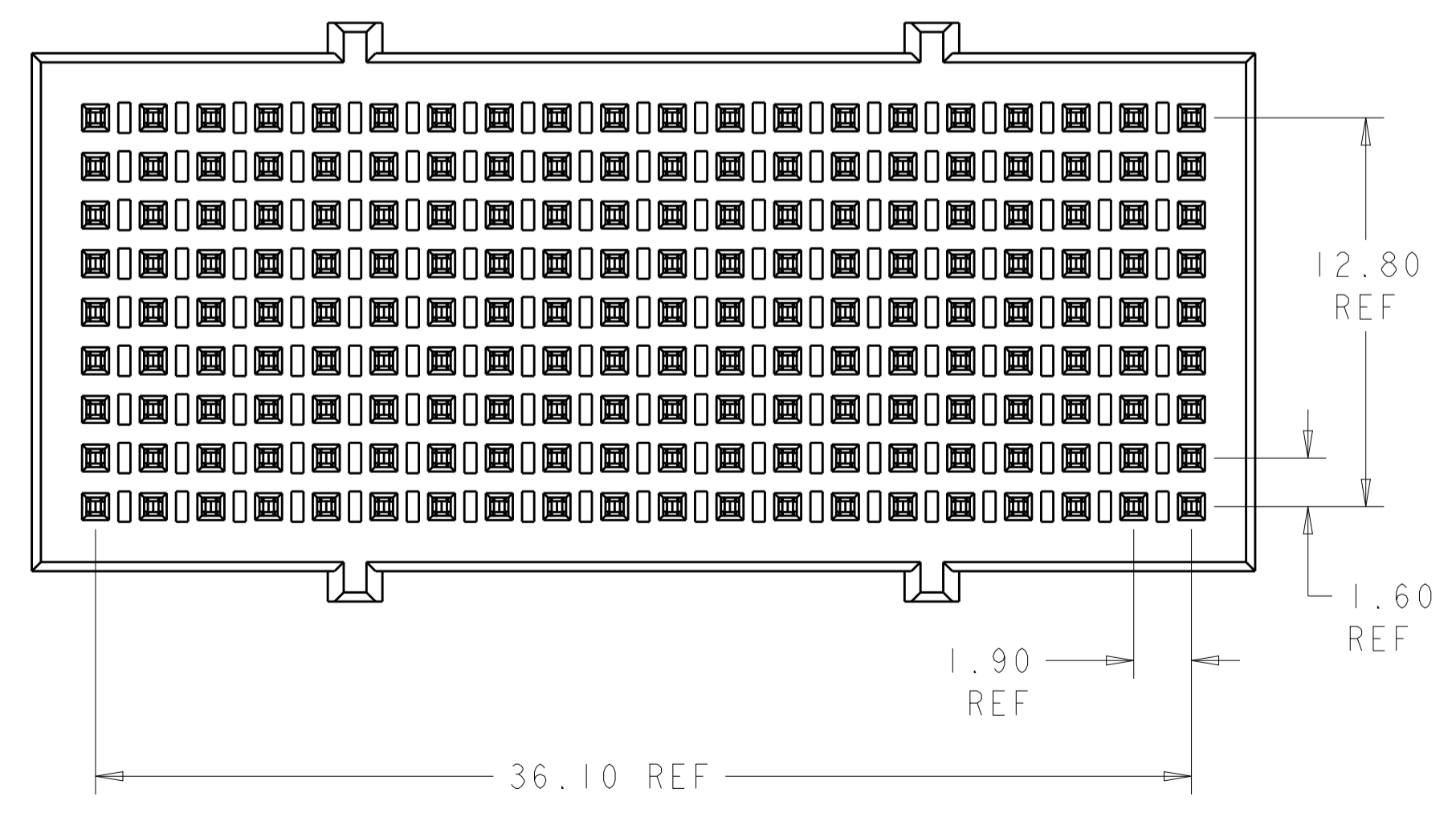
LOC		DIST		REVISIONS			
P	LTN	DESCRIPTION	DATE	DWN	APVD		
C		REV PER ECO 13-001730	1-31-13	CT	DH		
D		ECO-13-004755	26MAR2013	KG	DH		

$\oplus \varnothing 0.05 \text{ (S)} \text{ X Y}$
 FINISHED HOLE SIZE
 AND PLATED THRU HOLES



○ = SIGNAL
 ⊗ = GROUND

RECOMMENDED DIFFERENTIAL PAIR PC BOARD LAYOUT
 COMPONENT SIDE SHOWN
 SCALE 8:1



- 1 MATERIAL:
CONTACT - COPPER ALLOY
HOUSING - LCP, COLOR - BLACK
- 2 FINISH:
MATING AREA: 1.27μm MIN GOLD OVER
1.27μm MIN NICKEL
- 3 FINISH:
COMPLIANT PIN AREA: 0.38μm MIN BRIGHT TIN LEAD
OVER 1.27μm MIN NICKEL
- 4 FINISH:
COMPLIANT PIN AREA: 0.38μm MIN MATTE TIN
OVER 1.27μm MIN NICKEL
- 5 FINISH:
COMPLIANT PIN AREA: 0.38μm MIN GOLD
OVER 1.27μm MIN NICKEL
- 6 DATUMS AND BASIC DIMENSIONS ESTABLISHED BY CUSTOMER.
- 7 REFERENCE APPLICATION SPEC 114-13267 FOR RECOMMENDED
PLATING THRU HOLE DIAMETER AND PLATING THICKNESS.

2, 5	2102161-3
2, 4	2102161-2
2, 3	2102161-1
FINISH	PART NUMBER

THIS DRAWING IS A CONTROLLED DOCUMENT. DIMENSIONING AND TOLERANCING PER GPS-1150 STANDARDS.		DWN: D. BELACK 06JUL2009	TE Connectivity
DIMENSIONS: mm		CHK: A. TSANG 7-6-2009	
TOLERANCES UNLESS OTHERWISE SPECIFIED:		APVD: M. McALONIS 7-6-2009	NAME: Fortis Zd, 3-PAIR, 20-COLUMN, VERTICAL, FULL SHROUD ASSEMBLY PRODUCT SPEC: 108-2409 APPLICATION SPEC: 114-13267
0 PLC ±0.13 2 PLC ±0.05 3 PLC ±0.05 4 PLC ±0.05 ANGLES ±2°		SIZE: CAGE CODE DRAWING NO WEIGHT: 7.32g ±2% CUSTOMER DRAWING	
MATERIAL:		RESTRICTED TO: - SCALE: 5:1 SHEET 1 OF 1 REV D	