



Chipsmall Limited consists of a professional team with an average of over 10 year of expertise in the distribution of electronic components. Based in Hongkong, we have already established firm and mutual-benefit business relationships with customers from,Europe,America and south Asia,supplying obsolete and hard-to-find components to meet their specific needs.

With the principle of “Quality Parts,Customers Priority,Honest Operation,and Considerate Service”,our business mainly focus on the distribution of electronic components. Line cards we deal with include Microchip,ALPS,ROHM,Xilinx,Pulse,ON,Everlight and Freescale. Main products comprise IC,Modules,Potentiometer,IC Socket,Relay,Connector.Our parts cover such applications as commercial,industrial, and automotives areas.

We are looking forward to setting up business relationship with you and hope to provide you with the best service and solution. Let us make a better world for our industry!



## Contact us

Tel: +86-755-8981 8866 Fax: +86-755-8427 6832

Email & Skype: info@chipsmall.com Web: www.chipsmall.com

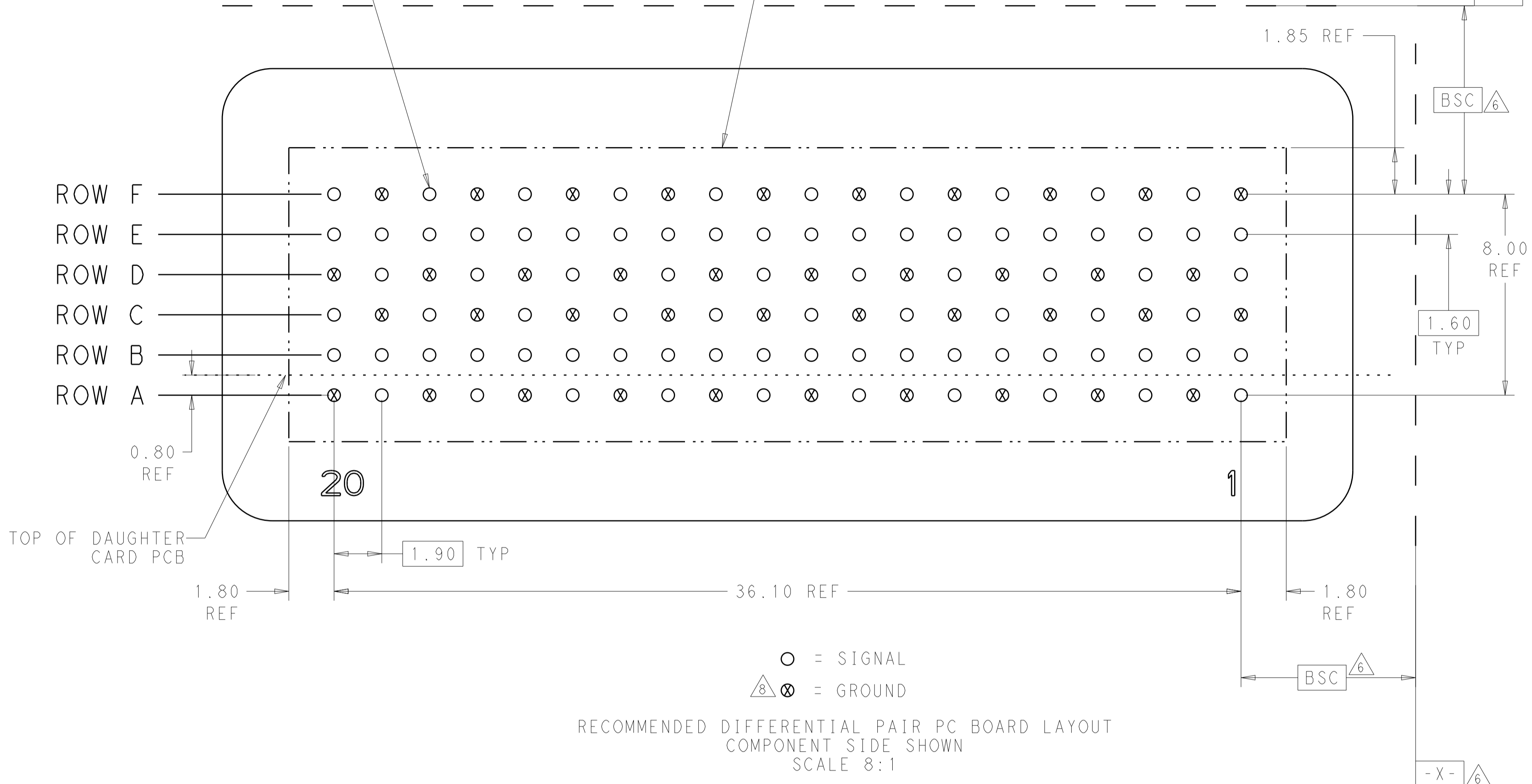
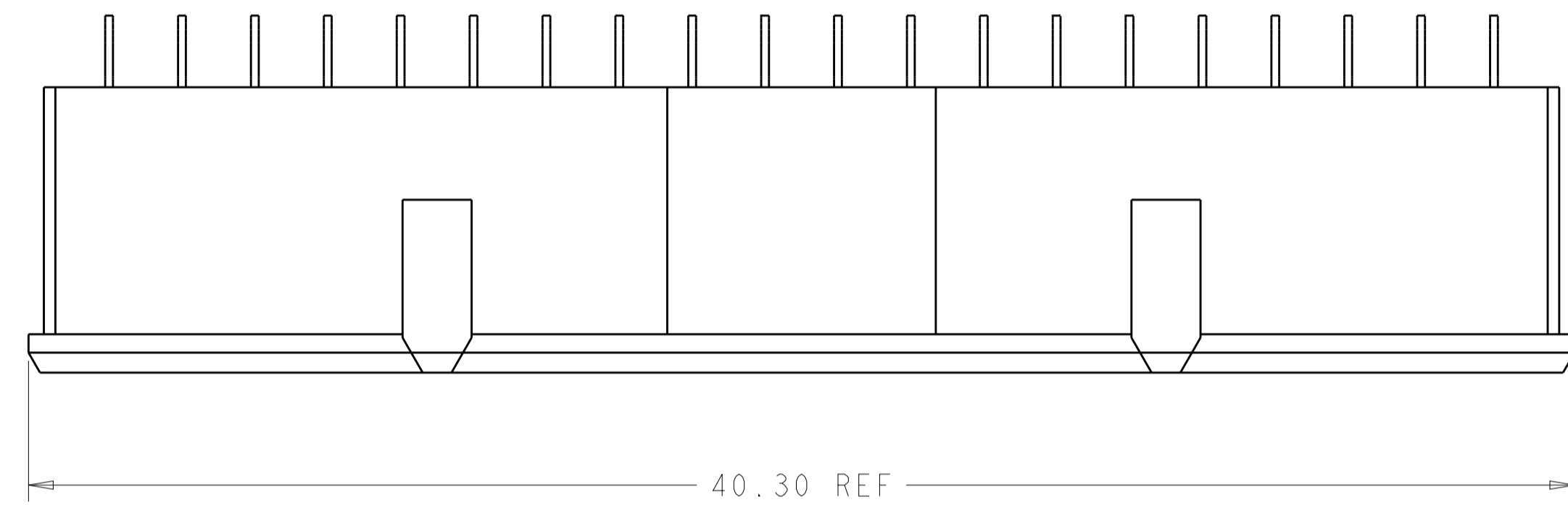
Address: A1208, Overseas Decoration Building, #122 Zhenhua RD., Futian, Shenzhen, China



LOC	DIST	REV	DATE	BY	CHK	APPV
-	-	A	11OCT2012	MGM	CT	
-	-	B	01APR2013	KG	DH	
-	-	C	20NOV14	MGM	CT	

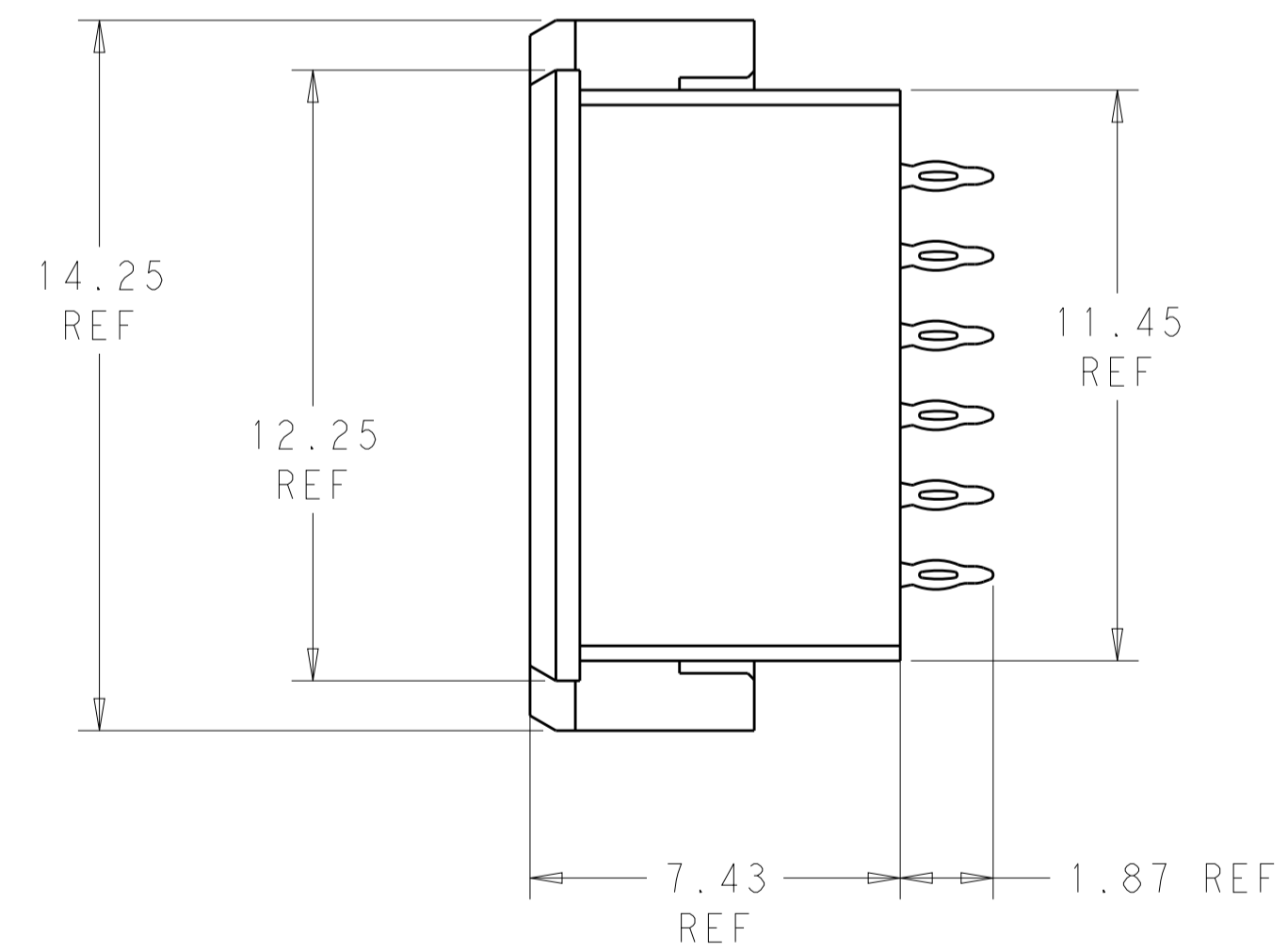
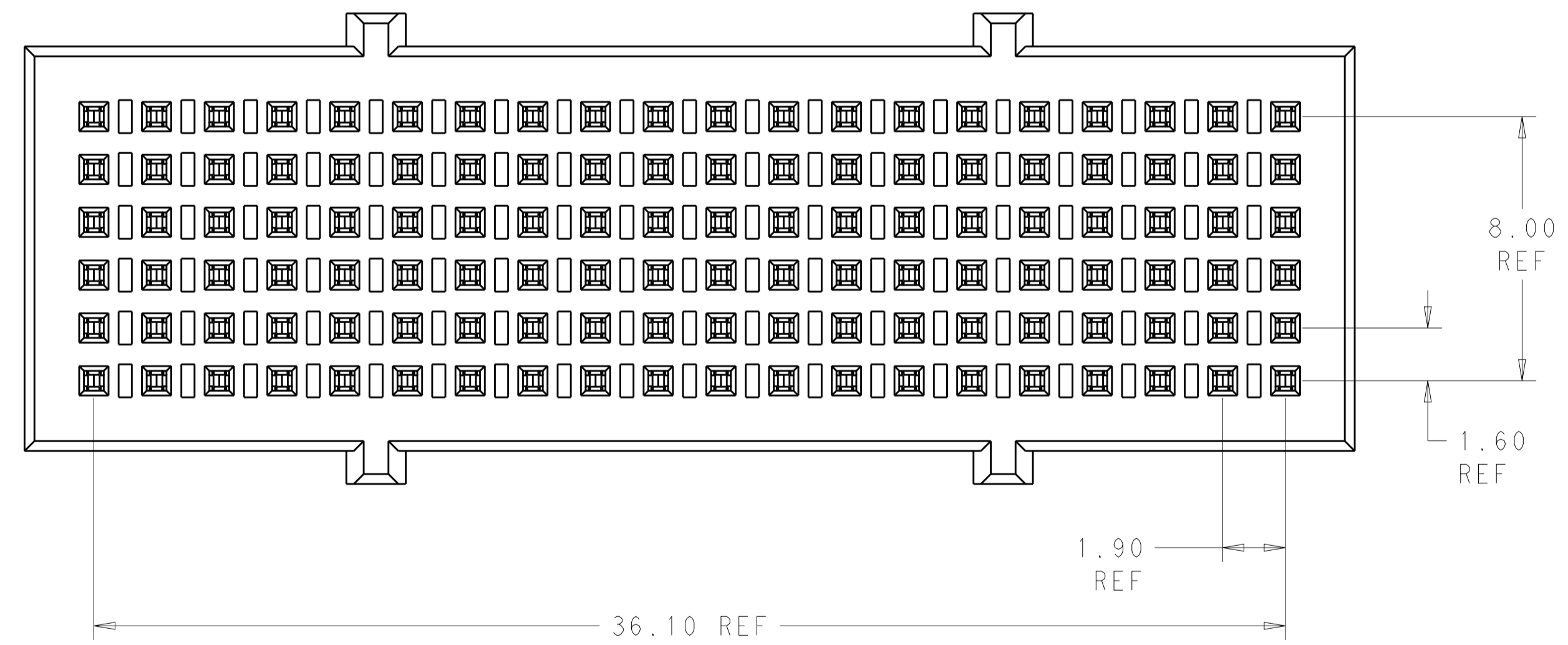
$\oplus \text{ } \varnothing 0.05 \text{ } \ominus \text{ } X \text{ } Y$   
 FINISHED HOLE SIZE  
 AND PLATED THRU HOLES

CONNECTOR  
 OUTLINE



○ = SIGNAL  
 ⊗ = GROUND

RECOMMENDED DIFFERENTIAL PAIR PC BOARD LAYOUT  
 COMPONENT SIDE SHOWN  
 SCALE 8:1



- 1 MATERIAL: CONTACT - COPPER ALLOY  
HOUSING - LCP, COLOR - BLACK
- 2 FINISH: MATING AREA: 1.27µm MIN GOLD OVER  
1.25µm MIN NICKEL
- 3 FINISH: COMPLIANT PIN AREA: 0.38µm MIN BRIGHT TIN LEAD  
OVER 1.27µm MIN NICKEL
- 4 FINISH: COMPLIANT PIN AREA: 0.38µm MIN MATTE TIN  
OVER 1.27µm MIN NICKEL
- 5 --
- 6 DATUMS AND BASIC DIMENSIONS ESTABLISHED BY CUSTOMER.
- 7 REFERENCE APPLICATION SPEC 114-13267 FOR RECOMMENDED  
PLATING THRU HOLE DIAMETER AND PLATING THICKNESS.
- 8 RECOMMENDED DIFFERENTIAL PAIR CONFIGURATION SHOWN.  
THE CONNECTOR UTILIZES AN OPEN PIN FIELD AND  
CAN BE LAID OUT IN A SINGLE-ENDED CONFIGURATION.

2, 4	2102234-2
2, 3	2102234-1
FINISH	PART NUMBER

THIS DRAWING IS A CONTROLLED DOCUMENT. DIMENSIONING AND TOLERANCING PER ASME Y14.5M-2009.		OWN: D. BELACK CHK: A. TSANG APPV: M. McALONIS	DATE: 24NOV2010	TE Connectivity	
DIMENSIONS: mm		TOLERANCES UNLESS OTHERWISE SPECIFIED:	PRODUCT SPEC: 108-2409	NAME: Fortis Zd, 2-PAIR, 20-COLUMN VERTICAL, FULL SHROUD ASSEMBLY	
0 PLC ±0.13 2 PLC ±0.05 3 PLC ±0.05 4 PLC ±0.05 ANGLES ±2°		FINISH: -	APPLICATION SPEC: 114-13267	SIZE: A1	RESTRICTED TO: -
MATERIAL: -		WEIGHT: ~5.21g	Customer Drawing	SCALE: 7:1	SHEET 1 OF 1 REV C