



Chipsmall Limited consists of a professional team with an average of over 10 year of expertise in the distribution of electronic components. Based in Hongkong, we have already established firm and mutual-benefit business relationships with customers from,Europe,America and south Asia,supplying obsolete and hard-to-find components to meet their specific needs.

With the principle of “Quality Parts,Customers Priority,Honest Operation,and Considerate Service”,our business mainly focus on the distribution of electronic components. Line cards we deal with include Microchip,ALPS,ROHM,Xilinx,Pulse,ON,Everlight and Freescale. Main products comprise IC,Modules,Potentiometer,IC Socket,Relay,Connector.Our parts cover such applications as commercial,industrial, and automotives areas.

We are looking forward to setting up business relationship with you and hope to provide you with the best service and solution. Let us make a better world for our industry!



Contact us

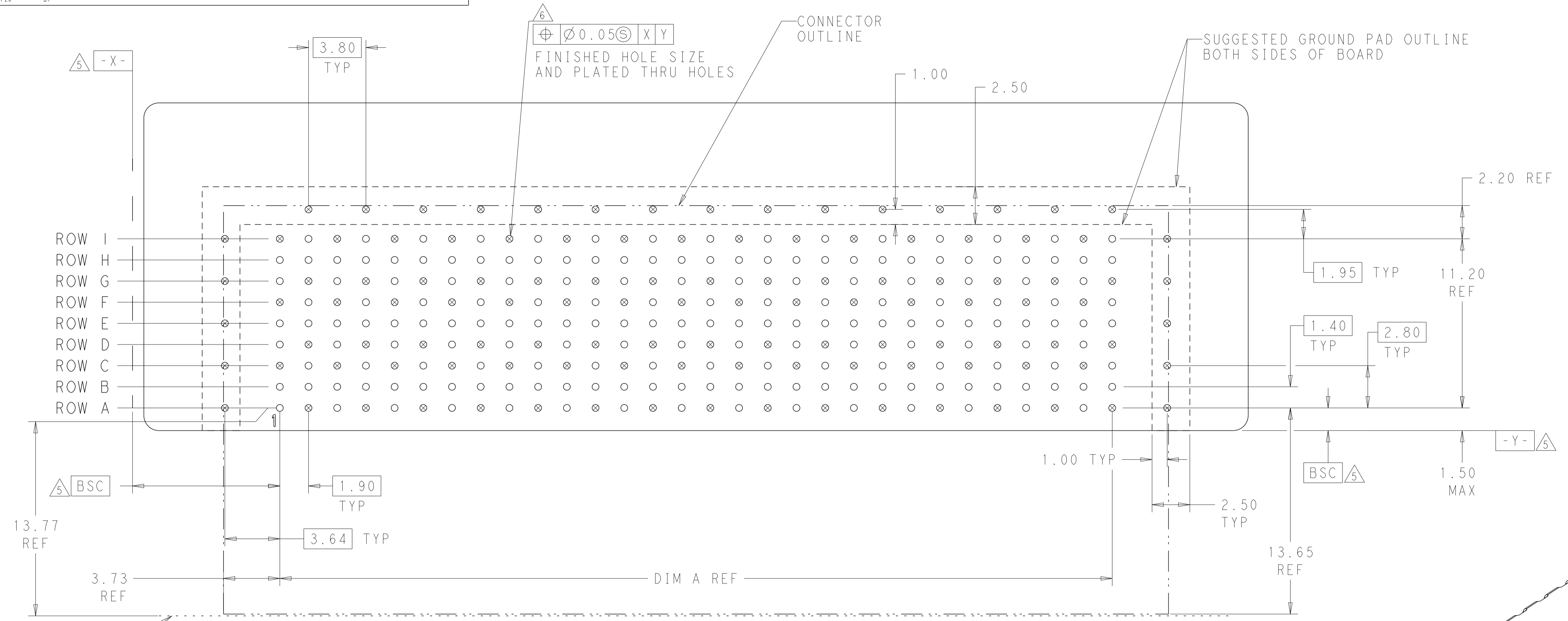
Tel: +86-755-8981 8866 Fax: +86-755-8427 6832

Email & Skype: info@chipsmall.com Web: www.chipsmall.com

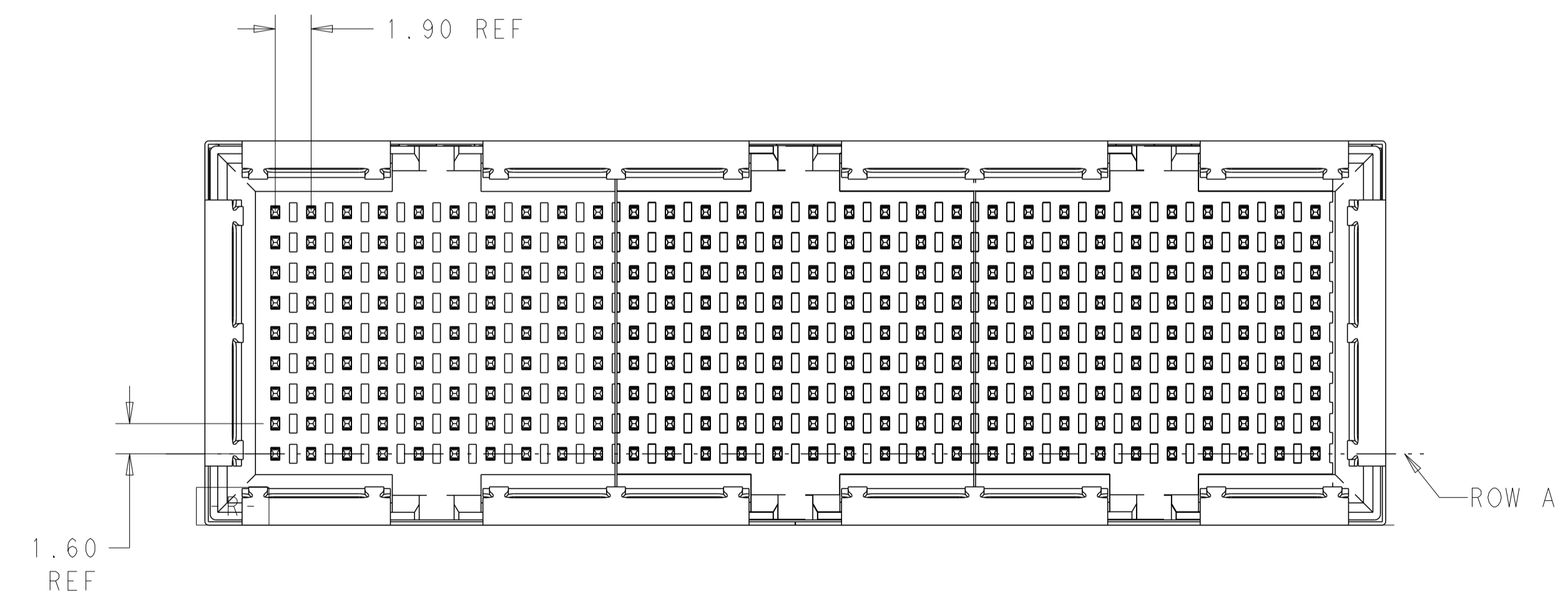
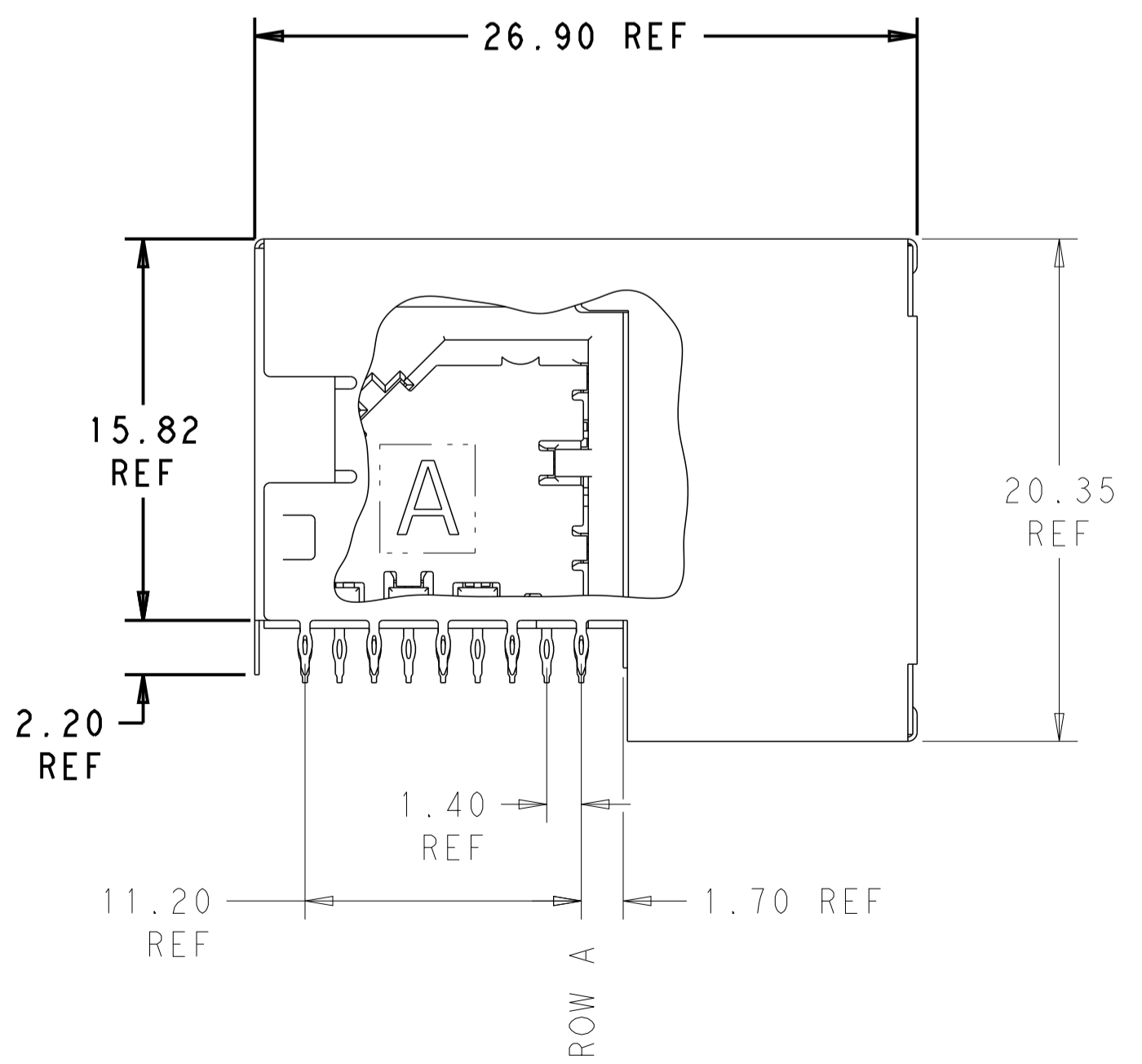
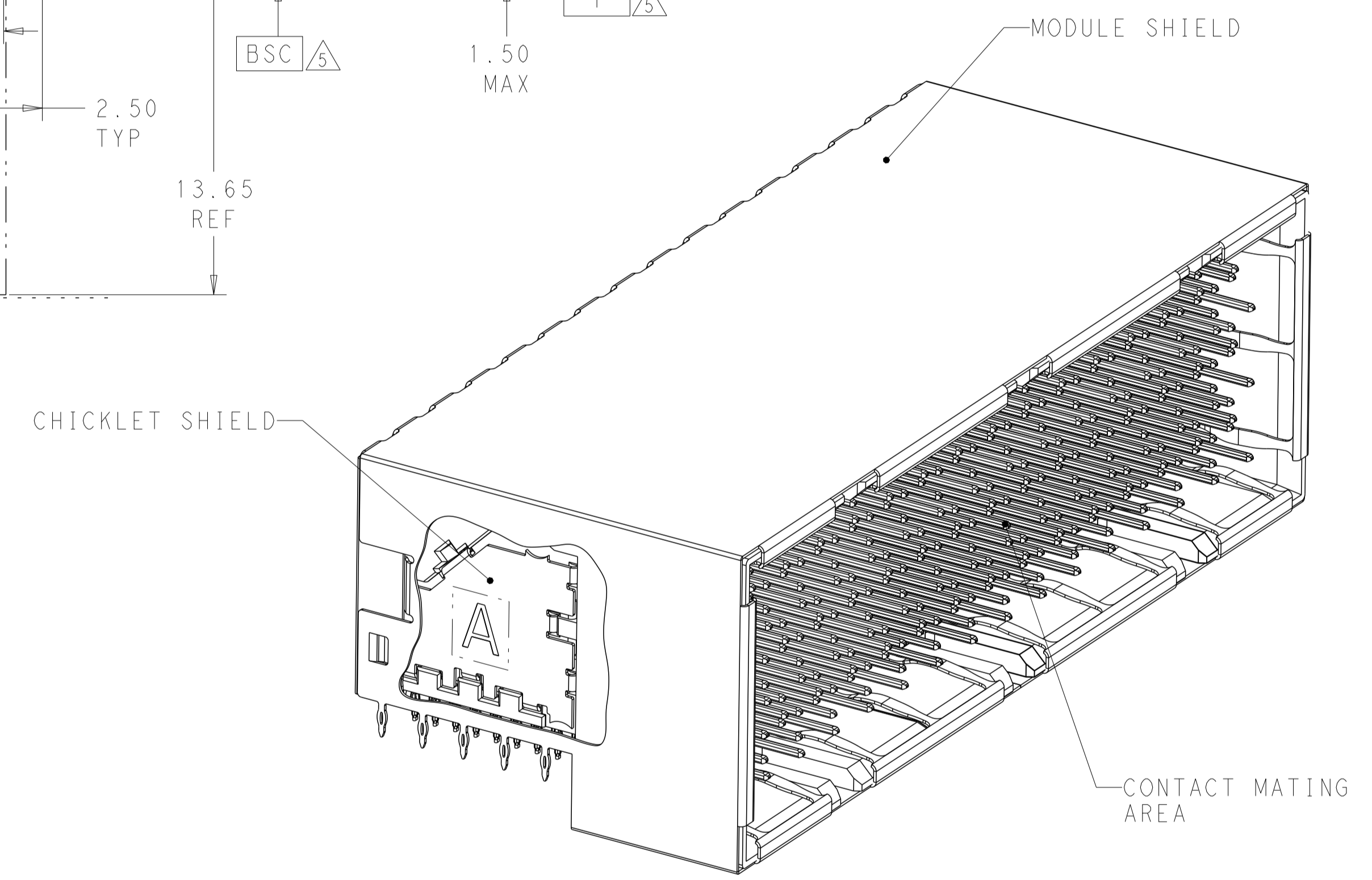
Address: A1208, Overseas Decoration Building, #122 Zhenhua RD., Futian, Shenzhen, China



REVISONS		DATE	OWN	APVD
3	ADDED COLUMN MARKER	14FEB2012	AT	AT
4	ADDED GROUND PAD, PLATING NOTES, WEIGHTS	24JULY2012	AT	AT
5	REVISED NOTES	4SEP2012	DCB	AT
6	ADDED ADHESIVE NOTE	14OCT2013	DCB	AT
7	CORRECTED CONNECTOR OUTLINE	30MAY2014	AT	AT
-	-	-	-	-
-	-	-	-	-



○ = SIGNAL
 △ = GROUND
 RECOMMENDED BOARD LAYOUT
 COMPONENT SIDE SHOWN
 SCALE 6:1



THIS PRODUCT HAS NOT COMPLETED VALIDATION TESTING

THIS PRINT IS
PRELIMINARY
 UNQUALIFIED PRODUCT
 CONTACT PRODUCT ENGINEERING
 BEFORE USING THIS PRINT

THIS DRAWING IS A CONTROLLED DOCUMENT.		OWN: D. BELACK 26JUL2010	TE Connectivity	
DIMENSIONS: mm		CHK: A. TSANG	NAME: Fortis Zd. 3-PAIR, R/A, SHIELDED MODULE ASSEMBLY	
TOLERANCES UNLESS OTHERWISE SPECIFIED:		APVD: M. McALONIS	PRODUCT SPEC: 108-2409	
0 PLC ±0.13		APPLICATION SPEC: 114-13267		
2 PLC ±0.05		WEIGHT: A100779C=2102247		
3 PLC ±0.05		Customer Drawing		
4 PLC ±0.05		SCALE: 4:1		
ANGLES ±2°		SHEET 1 OF 2		
FINISH		REV 7		

LOC	DIST	REV	DATE	BY	APPV
-	-	1			
REVISIONS					
DESCRIPTION			DATE	BY	APPV
SEE SHEET 1			-	-	-

△ MATERIAL:
 CONTACT AND CHICKLET SHIELD: PHOSPHOR BRONZE
 HOUSING AND CHICKLET: BLACK LCP
 HOUSING SHIELD: NICKEL SILVER PER UNS C77000
 ADHESIVE: 3M™ BONDING FILM 615S

△ FINISH:
 CONTACT MATING AREA: 1.27µm MIN GOLD OVER
 1.27µm MIN NICKEL
 CHICKLET SHIELD: 1.27µm MIN NICKEL
 COMPLIANT PIN AREA: 0.5µm MIN 93/7 SnPb OVER
 1.27µm MIN NICKEL

△ FINISH:
 CONTACT MATING AREA: 1.27µm MIN GOLD OVER
 1.27µm MIN NICKEL
 CHICKLET SHIELD: 1.27µm MIN NICKEL
 COMPLIANT PIN AREA: 0.5µm MIN Sn OVER
 1.27µm MIN NICKEL

△ DIMENSION APPLIES TO CENTERLINE OF THRU HOLE.

△ DATUMS AND BASIC DIMENSIONS ESTABLISHED BY CUSTOMER.

△ REFERENCE APPLICATION SPEC 114-13267 FOR RECOMMENDED PLATED THRU HOLE DIAMETER AND PLATING THICKNESS.

△ ALL GROUNDS IN ODD NUMBERED COLUMNS ARE COMMONED.
 ALL GROUNDS IN EVEN NUMBERED COLUMNS, EXCEPT FOR ROW A ARE COMMONED.

91.2	119.55	112.10	△3	60 COLUMN	180	2-2102247-6
76.5	100.55	93.10	△3	50 COLUMN	150	2-2102247-5
61.9	81.55	74.10	△3	40 COLUMN	120	2-2102247-4
47.2	62.55	55.10	△3	30 COLUMN	90	2-2102247-3
32.6	43.55	36.10	△3	20 COLUMN	60	2-2102247-2
17.9	24.55	17.10	△3	10 COLUMN	30	2-2102247-1
91.2	119.55	112.10	△2	60 COLUMN	180	2102247-6
76.5	100.55	93.10	△2	50 COLUMN	150	2102247-5
61.9	81.55	74.10	△2	40 COLUMN	120	2102247-4
47.2	62.55	55.10	△2	30 COLUMN	90	2102247-3
32.6	43.55	36.10	△2	20 COLUMN	60	2102247-2
17.9	24.55	17.10	△2	10 COLUMN	30	2102247-1
WEIGHT(g)	DIM "B"	DIM "A"	COMPLIANT PIN PLATING	DESCRIPTION	DIFF PAIRS	PART NUMBER

THIS DRAWING IS A CONTROLLED DOCUMENT.		OWN: D. BELACK	26 JUL 2010
DIMENSIONS: mm		CHK: A. TSANG	
TOLERANCES UNLESS OTHERWISE SPECIFIED:		APV: M. MCALONIS	
0 PLC	±	NAME: Fortis Zd. 3-PAIR, R/A, SHIELDED MODULE ASSEMBLY	
1 PLC	±0.13	PRODUCT SPEC: 108-2409	
2 PLC	±0.05	APPLICATION SPEC: 114-13267	
3 PLC	±	SIZE: A1	
4 PLC	±	CAGE CODE: 00779	
ANGLES	±2°	DRAWING NO: 2102247	
FINISH		RESTRICTED TO: -	
MATERIAL		WEIGHT: -	
		Customer Drawing	
		SCALE: 4:1	
		SHEET 2 OF 2	
		REV 7	