



Chipsmall Limited consists of a professional team with an average of over 10 year of expertise in the distribution of electronic components. Based in Hongkong, we have already established firm and mutual-benefit business relationships with customers from,Europe,America and south Asia,supplying obsolete and hard-to-find components to meet their specific needs.

With the principle of “Quality Parts,Customers Priority,Honest Operation,and Considerate Service”,our business mainly focus on the distribution of electronic components. Line cards we deal with include Microchip,ALPS,ROHM,Xilinx,Pulse,ON,Everlight and Freescale. Main products comprise IC,Modules,Potentiometer,IC Socket,Relay,Connector.Our parts cover such applications as commercial,industrial, and automotives areas.

We are looking forward to setting up business relationship with you and hope to provide you with the best service and solution. Let us make a better world for our industry!



## Contact us

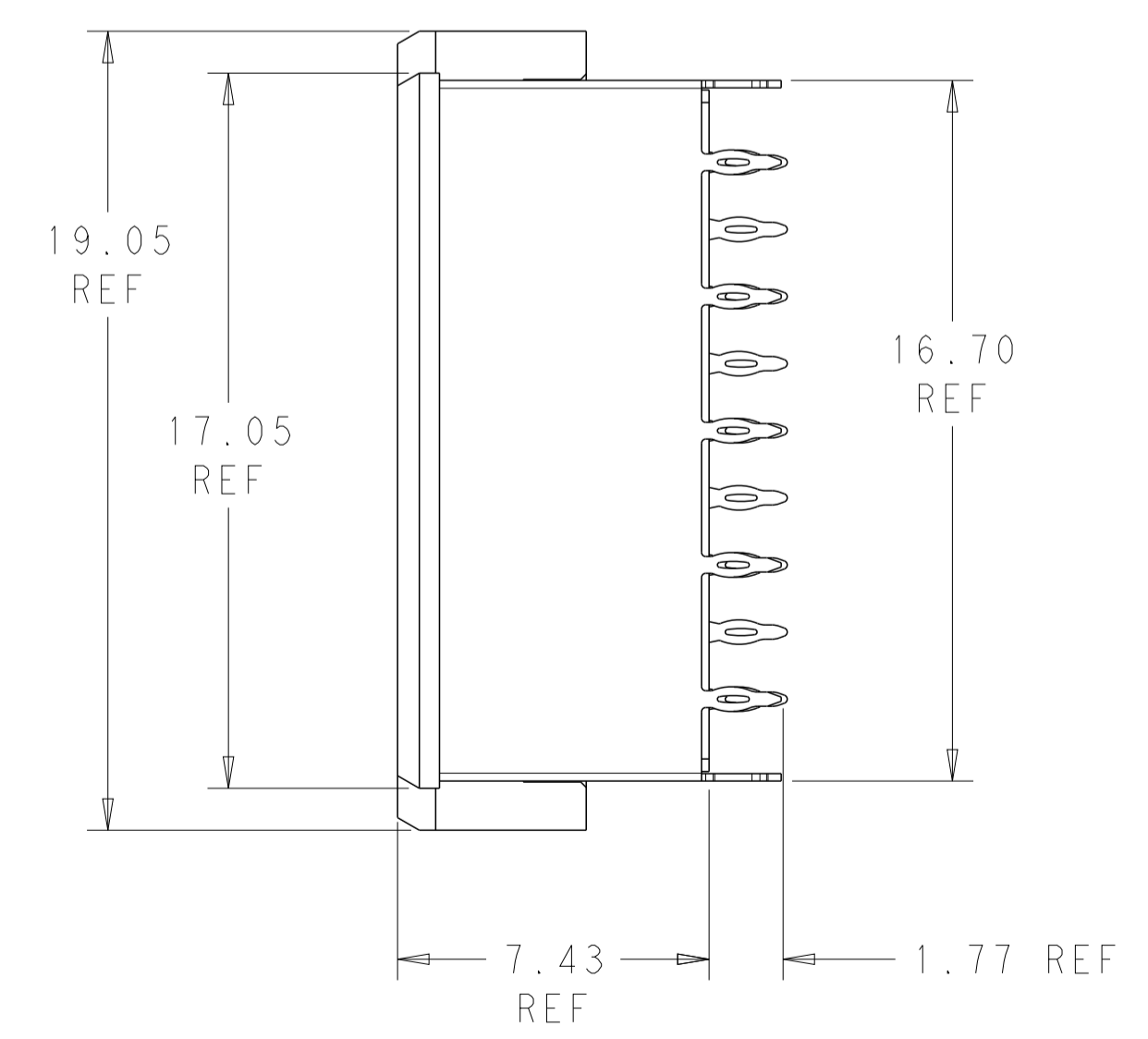
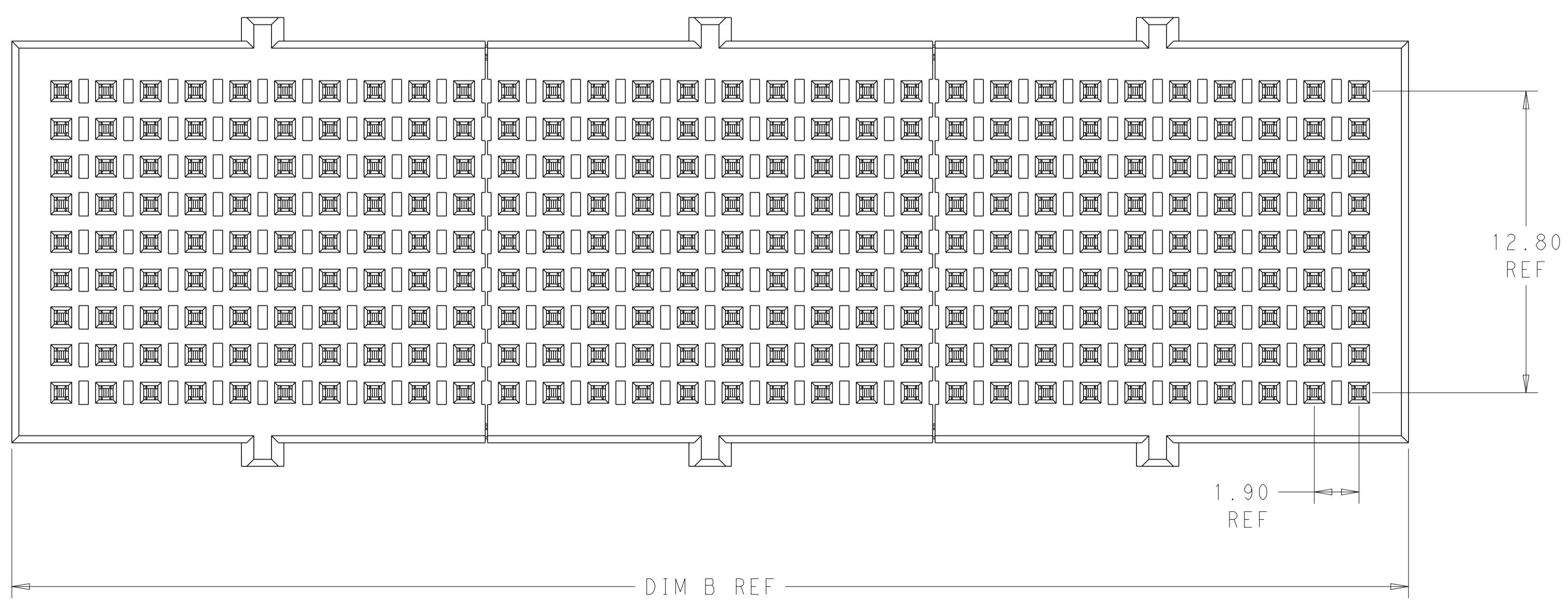
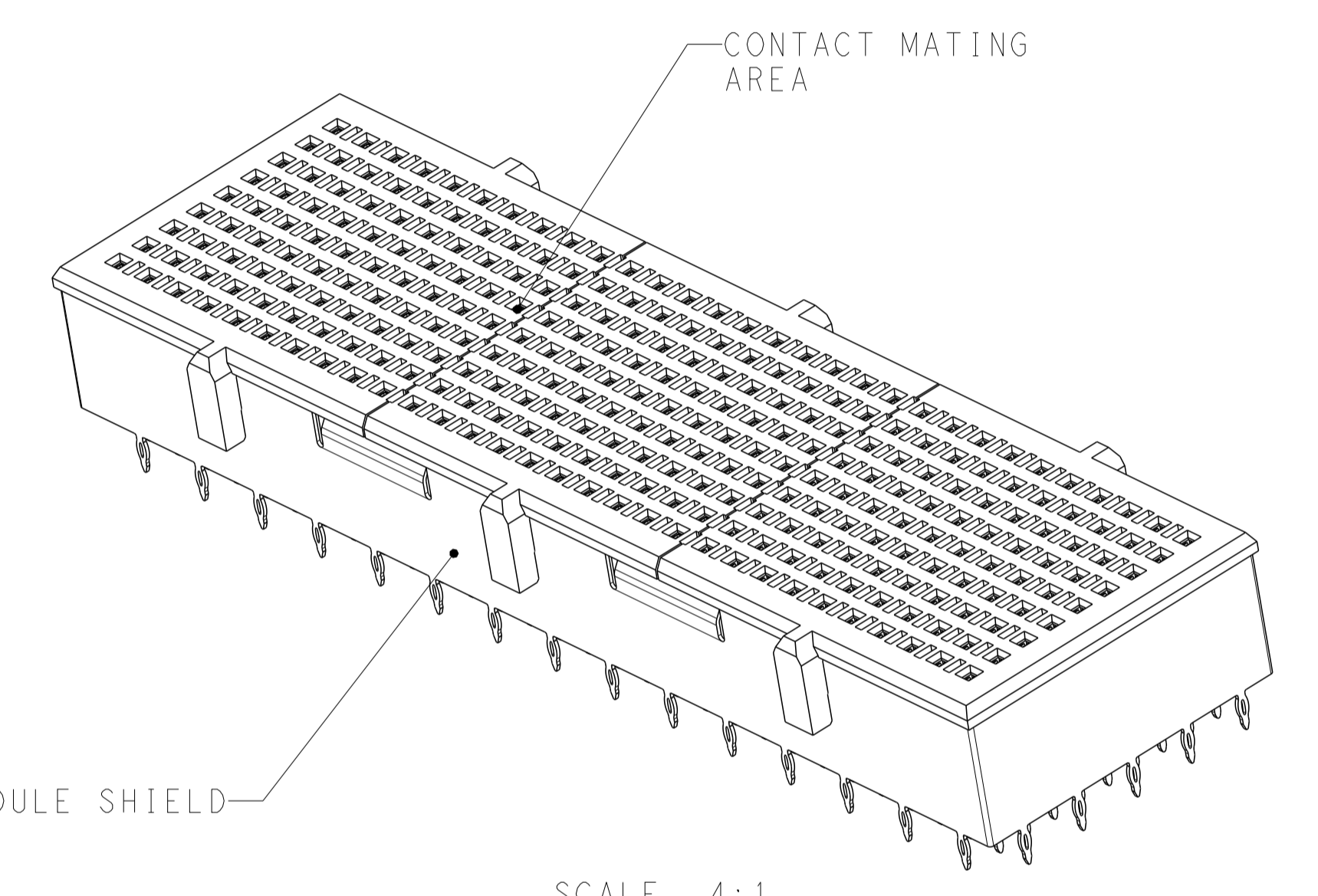
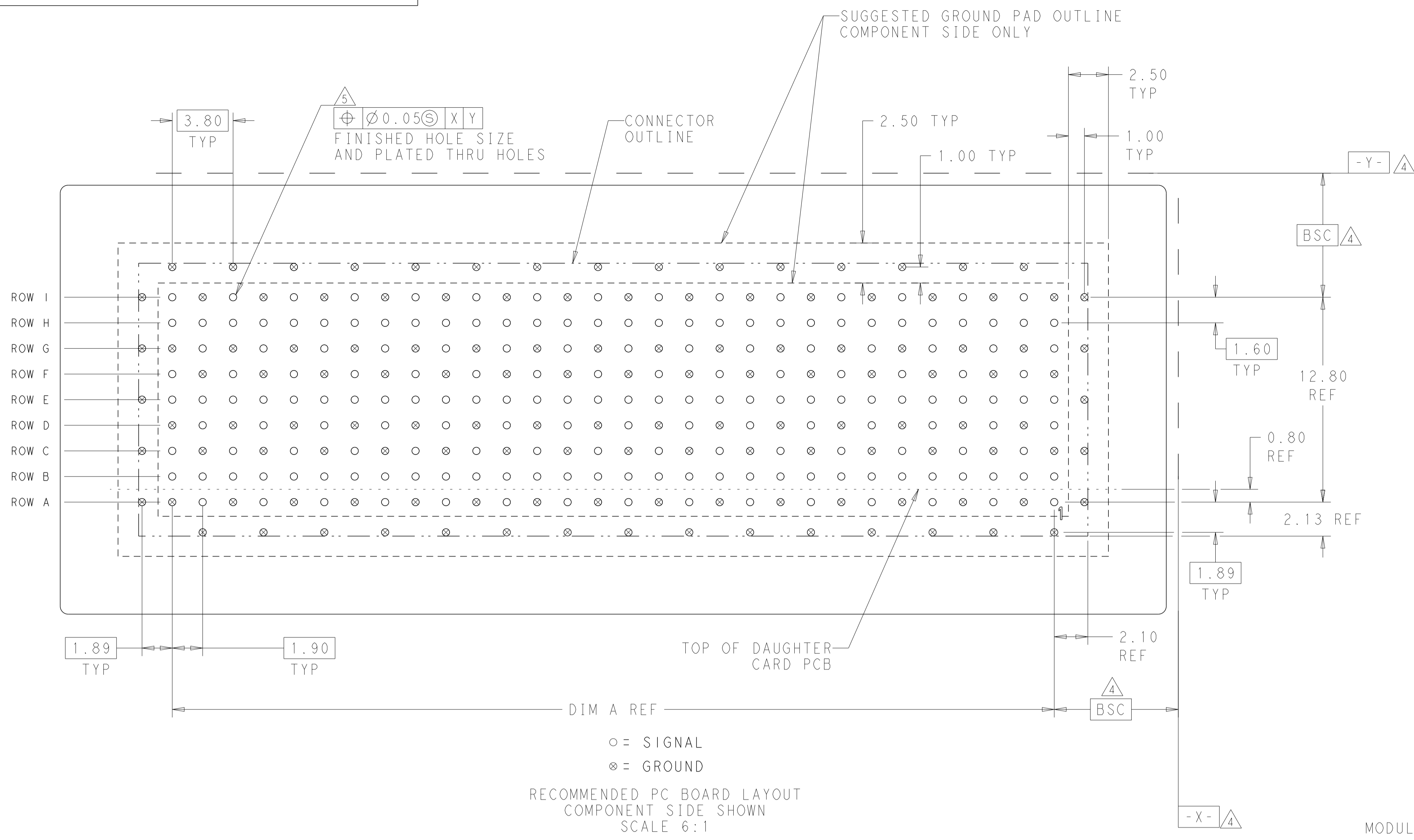
Tel: +86-755-8981 8866 Fax: +86-755-8427 6832

Email & Skype: info@chipsmall.com Web: www.chipsmall.com

Address: A1208, Overseas Decoration Building, #122 Zhenhua RD., Futian, Shenzhen, China



LOC		DIST		REVISIONS				
P	LTN	DESCRIPTION	DATE	OWN	APVD			
2		ADDED COLUMN MARKER	14FEB2012	AT	AT			
3		ADDED GROUND PAD, PLATING NOTES, WEIGHTS	24JULY2012	AT	AT			
4		REVISED FINISH NOTE	4SEP2012	DCB	AT			
5		CORRECTED CONNECTOR OUTLINE	30MAY2014	AT	AT			



THIS PRINT IS  
**PRELIMINARY**  
 UNQUALIFIED PRODUCT  
 CONTACT PRODUCT ENGINEERING  
 BEFORE USING THIS PRINT

THIS PRODUCT HAS NOT COMPLETED VALIDATION TESTING

THIS DRAWING IS A CONTROLLED DOCUMENT.		OWN: D. BELACK 23JUL2010	TE Connectivity
DIMENSIONS: mm		CHK: A. TSANG	
TOLERANCES UNLESS OTHERWISE SPECIFIED:		APVD: M. McALONIS	NAME: Fortis Zd, 3-PAIR, VERTICAL SHIELDED MODULE ASSEMBLY
0 PLC ±0.13	1 PLC ±0.05	PRODUCT SPEC: 108-2409	SIZE: A1
2 PLC ±0.05	3 PLC ±0.05	APPLICATION SPEC: 114-13267	CAGE CODE: 00779
4 PLC ±0.05	ANGLES ±2°	WEIGHT: -	DRAWING NO: 2102248
MATERIAL: -	FINISH: -	CUSTOMER DRAWING	SCALE: 6:1
		SHEET 1 OF 2	
		REV 5	

THIS DRAWING IS UNPUBLISHED. RELEASED FOR PUBLICATION 20  
 © COPYRIGHT 20 BY - ALL RIGHTS RESERVED.

LOC		DIST		REVISIONS			
P	LTN	DESCRIPTION	DATE	DMN	APVD		
-	-	SEE SHEET 1	-	-	-		

1 MATERIAL:  
 CONTACT - BERYLLIUM COPPER ALLOY  
 HOUSING - BLACK LCP  
 SHIELD - NICKEL SILVER PER UNS C77000


2 FINISH:  
 MATING AREA: 1.27µm MIN GOLD OVER  
 3.81µm MIN NICKEL  
 COMPLIANT PIN AREA: 0.5µm MIN 93/7 SnPb OVER  
 1.27µm MIN NICKEL

3 FINISH:  
 MATING AREA: 1.27µm MIN GOLD OVER  
 3.81µm MIN NICKEL  
 COMPLIANT PIN AREA: 0.5µm MIN Sn OVER  
 1.27µm MIN NICKEL

4 DATUMS AND BASIC DIMENSIONS ESTABLISHED BY CUSTOMER.

5 REFERENCE APPLICATION SPEC 114-13267 FOR RECOMMENDED PLATING THRU HOLE DIAMETER AND PLATING THICKNESS.

23.33	116.30	112.10	3	60 COLUMN	180	2-2102248-6
19.58	97.30	93.10	3	50 COLUMN	150	2-2102248-5
15.82	78.30	74.10	3	40 COLUMN	120	2-2102248-4
12.07	59.30	55.10	3	30 COLUMN	90	2-2102248-3
8.32	40.30	36.10	3	20 COLUMN	60	2-2102248-2
4.56	21.30	17.10	3	10 COLUMN	30	2-2102248-1
23.33	116.30	112.10	2	60 COLUMN	180	2102248-6
19.58	97.30	93.10	2	50 COLUMN	150	2102248-5
15.82	78.30	74.10	2	40 COLUMN	120	2102248-4
12.07	59.30	55.10	2	30 COLUMN	90	2102248-3
8.32	40.30	36.10	2	20 COLUMN	60	2102248-2
4.56	21.30	17.10	2	10 COLUMN	30	2102248-1
WEIGHT(g)	DIM "B"	DIM "A"	COMPLIANT PIN PLATING	DESCRIPTION	DIFF PAIRS	PART NUMBER

THIS DRAWING IS A CONTROLLED DOCUMENT.		DMN D. BELACK	23JUL2010	 TE Connectivity
DIMENSIONS: mm		CHK A. TSANG		
TOLERANCES UNLESS OTHERWISE SPECIFIED:		APVD M. McALONIS		NAME Fortis Zd, 3-PAIR, VERTICAL SHIELDED MODULE ASSEMBLY
0 PLC ±.13		PRODUCT SPEC	108-2409	SIZE A1
1 PLC ±0.05		APPLICATION SPEC	114-13267	CAGE CODE 2102248
2 PLC ±.05		RESTRICTED TO		
3 PLC ±.05		SCALE	6:1	SHEET 2 OF 2
4 PLC ±.05		REV	5	
ANGLES ±2°		CUSTOMER DRAWING		
FINISH				