



Chipsmall Limited consists of a professional team with an average of over 10 year of expertise in the distribution of electronic components. Based in Hongkong, we have already established firm and mutual-benefit business relationships with customers from,Europe,America and south Asia,supplying obsolete and hard-to-find components to meet their specific needs.

With the principle of “Quality Parts,Customers Priority,Honest Operation,and Considerate Service”,our business mainly focus on the distribution of electronic components. Line cards we deal with include Microchip,ALPS,ROHM,Xilinx,Pulse,ON,Everlight and Freescale. Main products comprise IC,Modules,Potentiometer,IC Socket,Relay,Connector.Our parts cover such applications as commercial,industrial, and automotives areas.

We are looking forward to setting up business relationship with you and hope to provide you with the best service and solution. Let us make a better world for our industry!



## Contact us

Tel: +86-755-8981 8866 Fax: +86-755-8427 6832

Email & Skype: info@chipsmall.com Web: www.chipsmall.com

Address: A1208, Overseas Decoration Building, #122 Zhenhua RD., Futian, Shenzhen, China



THIS DRAWING IS UNPUBLISHED. RELEASED FOR PUBLICATION 20  
 © COPYRIGHT 20 BY ALL RIGHTS RESERVED.

REVISIONS				
P	LTR	DESCRIPTION	DATE	APVD
B		ECR-16-010100 UPDATE NAME	14JUL2016	L.Z X.X

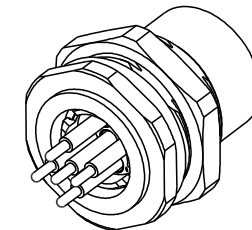
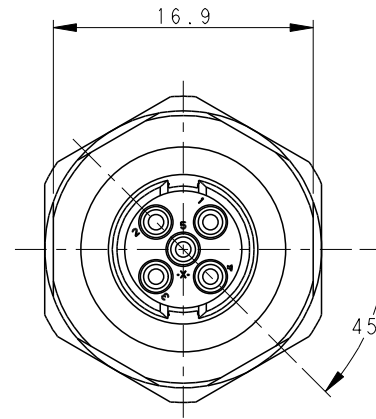
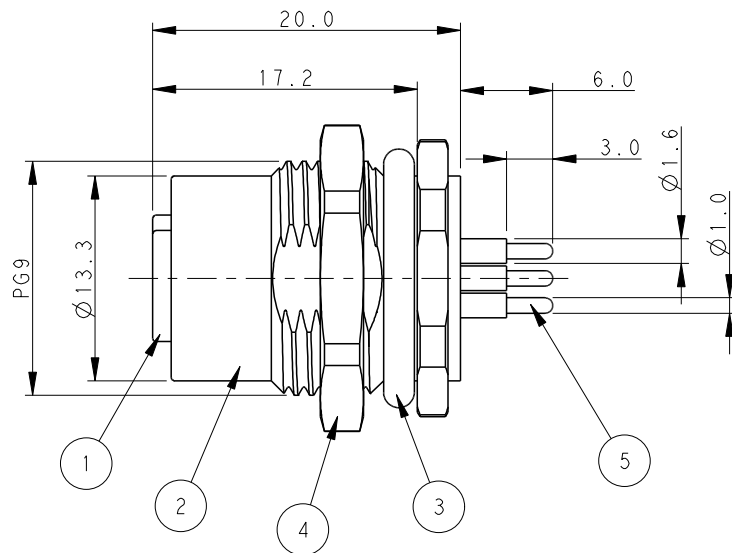
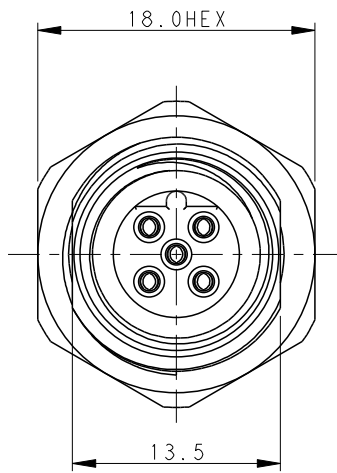


TABLE 1

TECHNICAL DATA	T4141412021-000	T4141412031-000	T4141412041-000	T4141412051-000
RATED VOLTAGE	250V	250V	250V	60V
RATED CURRENT	4A	4A	4A	4A
POLLUTION DEGREE	3	3	3	3
OVERVOLTAGE CATEGORY	II	II	II	II
MATERIAL GROUP	II	II	II	II
CONTACT RESISTANCE	<=10mΩ	<=10mΩ	<=10mΩ	<=10mΩ
INSULATION RESISTANCE	>100MΩ	>100MΩ	>100MΩ	>100MΩ
DEGREE OF PROTECTION	IP67	IP67	IP67	IP67
OPERATION TEMPERATURE	-40~85°C	-40~85°C	-40~85°C	-40~85°C

- NOTE:
1. TECHNICAL DATA: SEE TABLE 1
  2. RECOMMENDED MOUNT PANEL SEE DETAIL
  3. PRODUCT COMPLIES WITH IEC61076-2-101
  4. PLASTIC INERT MATERIAL:UL LISTED WITH UL94V0 FLAME RATING
  5. ALL MATERIALS TO BE ROHS COMPLIANT
  6. ALL MATERIALS TO BE REACH COMPLIANT
  7. PN INFORMATION FOR ASSEMBLY PARTS

- 注释:
- 1: 技术参数, 见表1
  - 2: 推荐开孔尺寸详见如图所示
  - 3: 产品符合标准IEC61076-2-101
  - 4: 塑胶材料符合UL标准, UL-94V0阻燃等级
  - 5: 所有材料符合ROHS参照标准TEC-138-705
  - 6: 所有材料符合REACH参照标准TEC-138-705
  - 7: 成品料号信息如下:

T41414120X1-000

- CONTACT FINISH:  
 1: GOLD 3u''  
 NUMBER OF PINS:  
 02: 2 PINS  
 03: 3 PINS  
 04: 4 PINS  
 05: 5 PINS

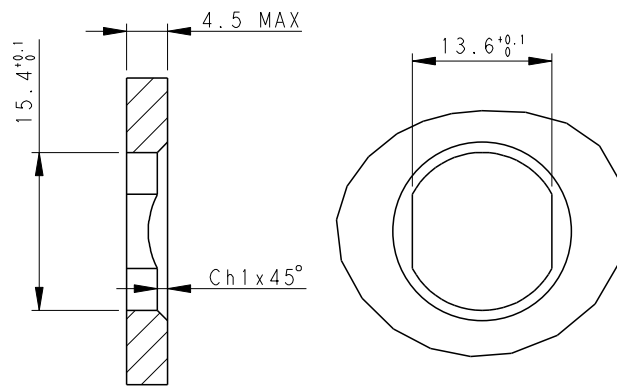
T41414120X1-000

- 端子电镀:  
 1: 3u''金  
 针数:  
 02: 2 针  
 03: 3 针  
 04: 4 针  
 05: 5 针

PIN ARRANGEMENT B-CODE

T4141412021-000	T4141412031-000	T4141412041-000
T4141412051-000		

T4141412021-000	RPC-M12B-FF-2CON-PG9-LBU
T4141412031-000	RPC-M12B-FF-3CON-PG9-LBU
T4141412041-000	RPC-M12B-FF-4CON-PG9-LBU
T4141412051-000	RPC-M12B-FF-5CON-PG9-LBU



RECOMMENDED PANEL CUTOUT

TE PN	TYPE	5	2	3	4	5
3u'' GOLD MIN.	COPPER ALLOY	CONTACT	5	2	3	4
200u'' NICKEL MIN.	COPPER ALLOY	METAL NUT	4	1	1	1
-	-	O-RING	3	1	1	1
200u'' NICKEL MIN.	COPPER ALLOY	M12, MALE, METAL BODY	2	1	1	1
-	PA66	M12, MALE HSG	1	1	1	1

THIS DRAWING IS A CONTROLLED DOCUMENT. DWN BO GAO 16FEB2016  
 CHK KOBBOY ZHAO 16FEB2016  
 APVD XIANG XU 16FEB2016

**STE** TE Connectivity

M12 PANEL MOUNT CONNECTOR  
 B CODE, FEMALE, REAR MOUNTING  
 PCB SOLDERING

PRODUCT SPEC 108-106140  
 APPLICATION SPEC 114-137144

SIZE A2 CAGE CODE - DRAWING NO. C-T41414120X1000 RESTRICTED TO -  
 WEIGHT - SCALE 2:1 SHEET 1 OF 1 REV B

CUSTOMER DRAWING