



Chipsmall Limited consists of a professional team with an average of over 10 year of expertise in the distribution of electronic components. Based in Hongkong, we have already established firm and mutual-benefit business relationships with customers from,Europe,America and south Asia,supplying obsolete and hard-to-find components to meet their specific needs.

With the principle of "Quality Parts,Customers Priority,Honest Operation,and Considerate Service",our business mainly focus on the distribution of electronic components. Line cards we deal with include Microchip,ALPS,ROHM,Xilinx,Pulse,ON,Everlight and Freescale. Main products comprise IC,Modules,Potentiometer,IC Socket,Relay,Connector.Our parts cover such applications as commercial,industrial, and automotives areas.

We are looking forward to setting up business relationship with you and hope to provide you with the best service and solution. Let us make a better world for our industry!



Contact us

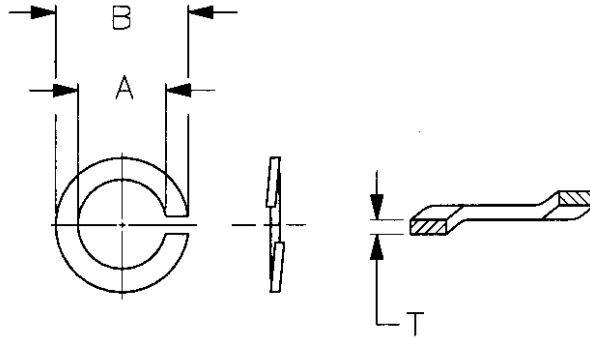
Tel: +86-755-8981 8866 Fax: +86-755-8427 6832

Email & Skype: info@chipsmall.com Web: www.chipsmall.com

Address: A1208, Overseas Decoration Building, #122 Zhenhua RD., Futian, Shenzhen, China



1. PART NUMBER AND CHARACTERISTICS



TE Part No	Rev	Screw Size	A	B (max)	T (min)
21024-1	G	#2	.088 - .094	.172	.020
21024-2	G	#4	.115 - .121	.209	.025
21024-3	G	#6	.141 - .148	.250	.031
21024-4	G	#8	.168 - .175	.293	.040
21024-5	G	#10	.194 - .202	.334	.047
21024-6	G	1/4	.255 - .263	.489	.062
21024-7	G	5/16	.318 - .328	.586	.078
21024-8	G	3/8	.382 - .393	.683	.094
21024-9	G	1/2	.509 - .523	.873	.125
1-21024-0	G	5/8	.636 - .653	1.079	.156
1-21024-1	G	3/4	.763 - .783	1.271	.188
1-21024-2	G	#5	.128 - .134	.236	.031
1-21024-3	G	1.00	1.017 - 1.042	1.661	.250
1-21024-4	G	7/16	.446 - .459	.779	.109
1-21024-5	G	#12	.221 - .229	.377	.056
1-21024-6	H	#3	.101 - .107	.195	.025

- 1.1. Shall comply with ASME B18.21.1
- 1.2. Hardness: Rockwell C45-53
- 2. RECOMMENDED MANUFACTURER
None

COMMERCIAL ITEM SPECIFICATION		MATERIAL					
		Carbon Steel					
© 2009 Tyco Electronics Corporation, Harrisburg, PA All International Rights Reserved		FINISH		NO 21024 REV K LOC B DIST 31			
		Black Oxide					
				DIMENSIONS IN INCHES			
		SHEET 1 OF 1		TITLE			
				WASHER, SPRING LOCK, REGULAR			
K	Clarify ASME specification	JNB	30DEC09				
REV	ENGINEERING CHANGE	CHK	DATE				