



Chipsmall Limited consists of a professional team with an average of over 10 year of expertise in the distribution of electronic components. Based in Hongkong, we have already established firm and mutual-benefit business relationships with customers from,Europe,America and south Asia,supplying obsolete and hard-to-find components to meet their specific needs.

With the principle of “Quality Parts,Customers Priority,Honest Operation,and Considerate Service”,our business mainly focus on the distribution of electronic components. Line cards we deal with include Microchip,ALPS,ROHM,Xilinx,Pulse,ON,Everlight and Freescale. Main products comprise IC,Modules,Potentiometer,IC Socket,Relay,Connector.Our parts cover such applications as commercial,industrial, and automotives areas.

We are looking forward to setting up business relationship with you and hope to provide you with the best service and solution. Let us make a better world for our industry!



Contact us

Tel: +86-755-8981 8866 Fax: +86-755-8427 6832

Email & Skype: info@chipsmall.com Web: www.chipsmall.com

Address: A1208, Overseas Decoration Building, #122 Zhenhua RD., Futian, Shenzhen, China



REVISIONS				
P.	LTN.	DESCRIPTION	DATE	APVD.
A		RELEASED PER ECO 15-017318	12-8-15	CT DH

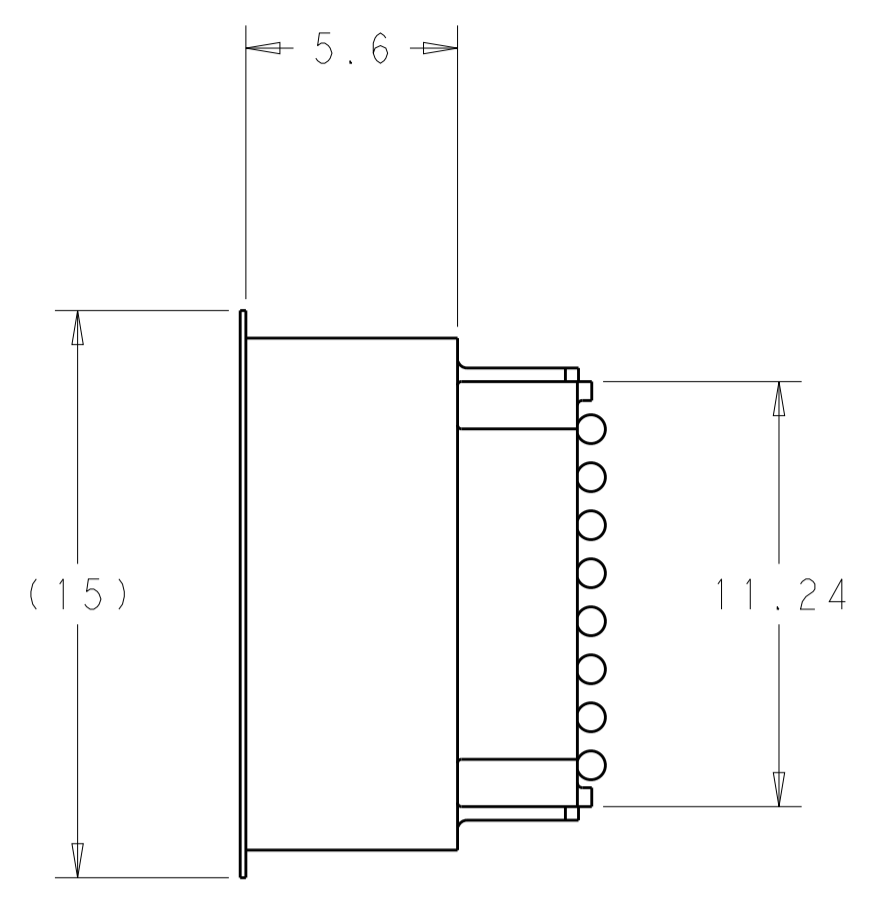
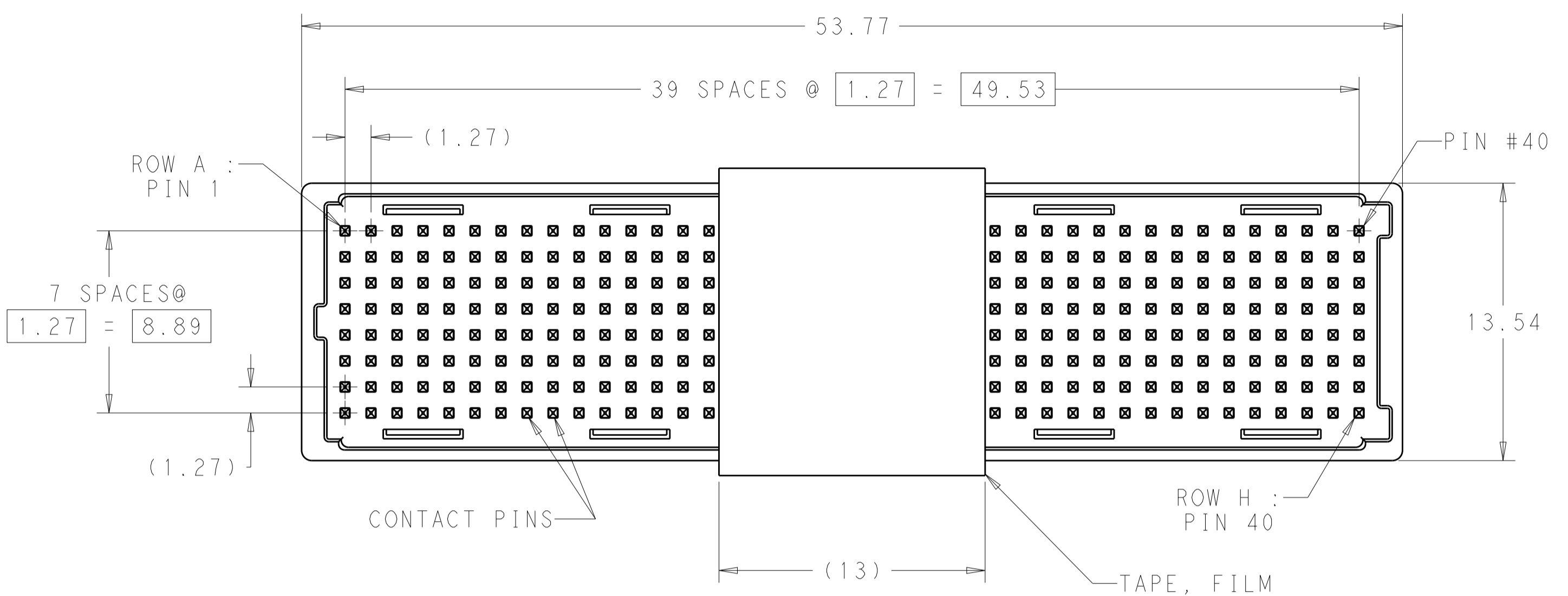
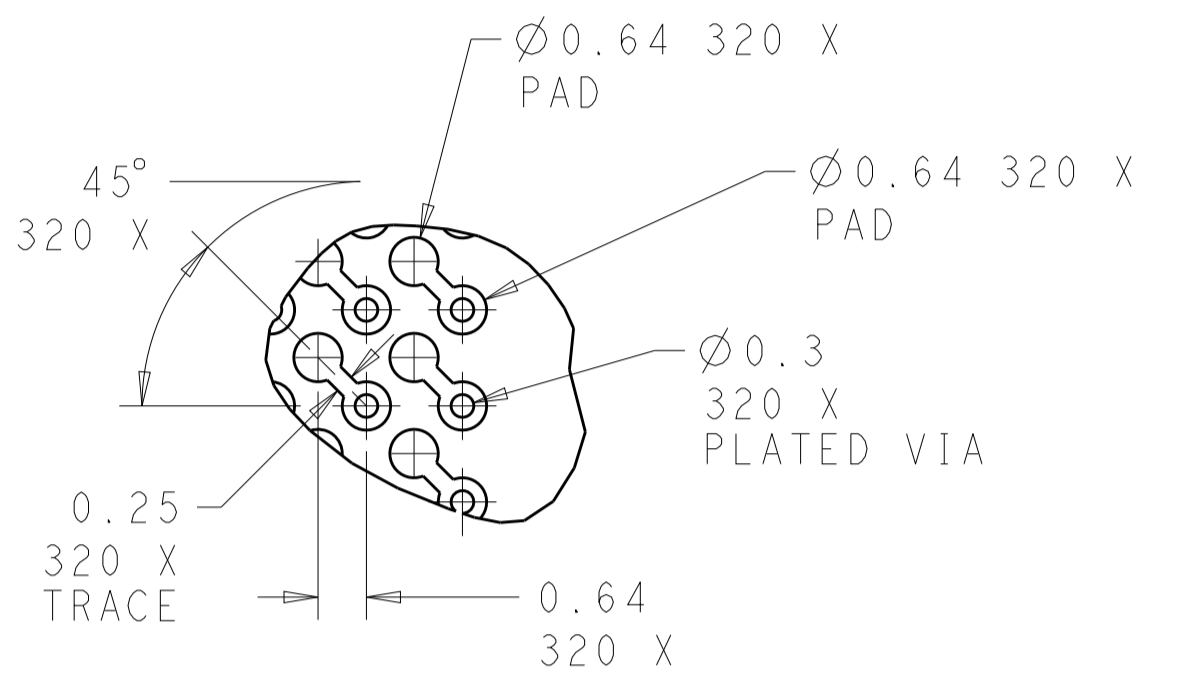
⚠ MATERIAL: HOUSINGS LCP, COLOR: NATURAL
 CONTACT: PHOSPHOR BRONZE.
 SOLDER BALL: SEE TABLE
 FILM TAPE: KAPTON WITH SILICON ADHESIVE.

⚠ FINISH: CONTACTS: GOLD (SEE TABLE) ON MATING AREAS
 NICKEL ON ENTIRE CONTACT.

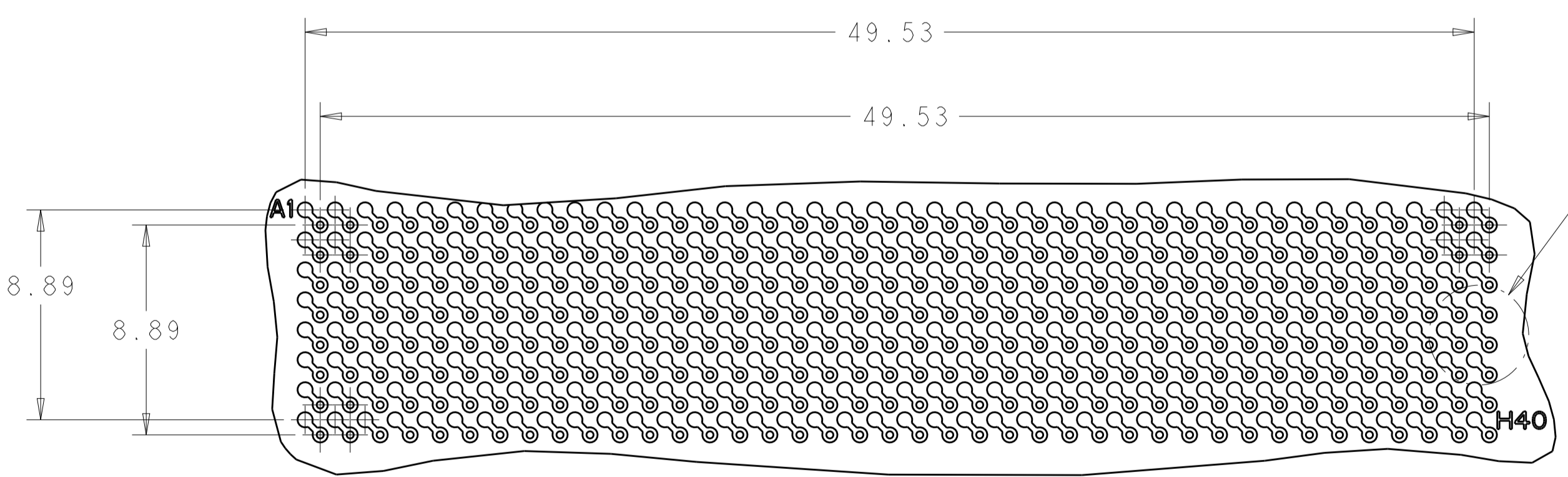
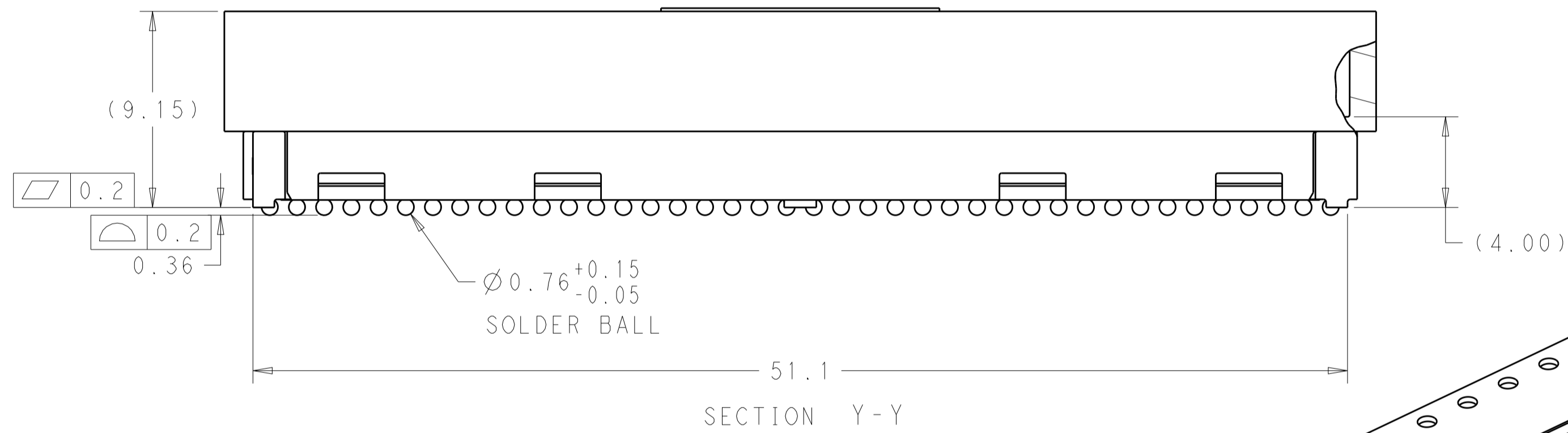
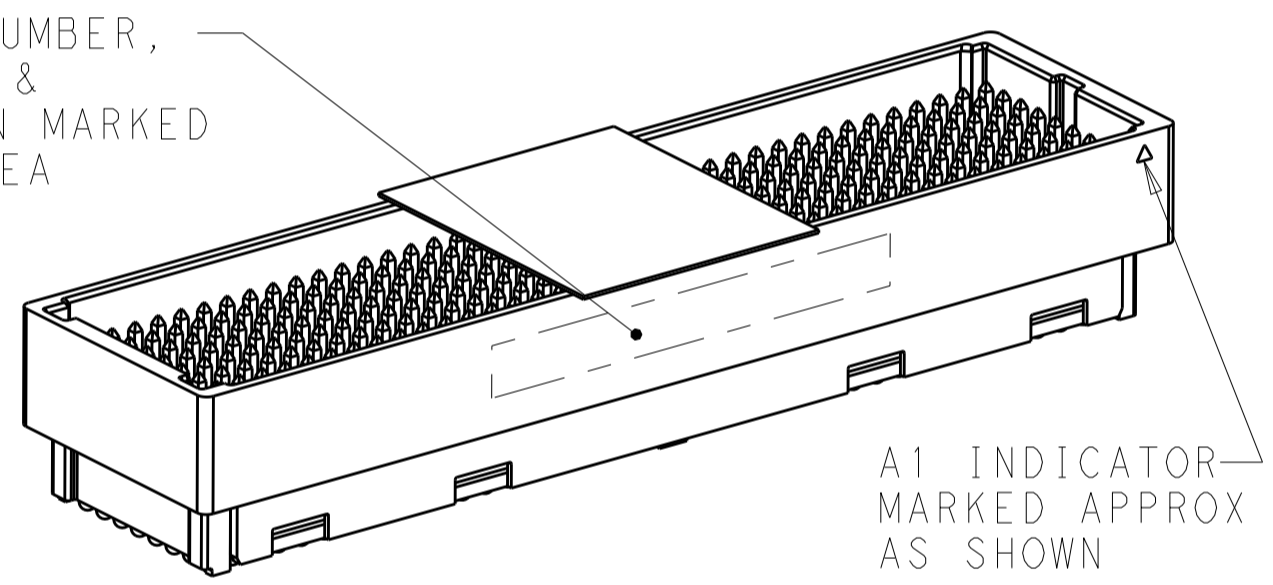
3. PRODUCT IS PACKAGED ON TAPE AND REELED.

⚠ PRELIMINARY PART.

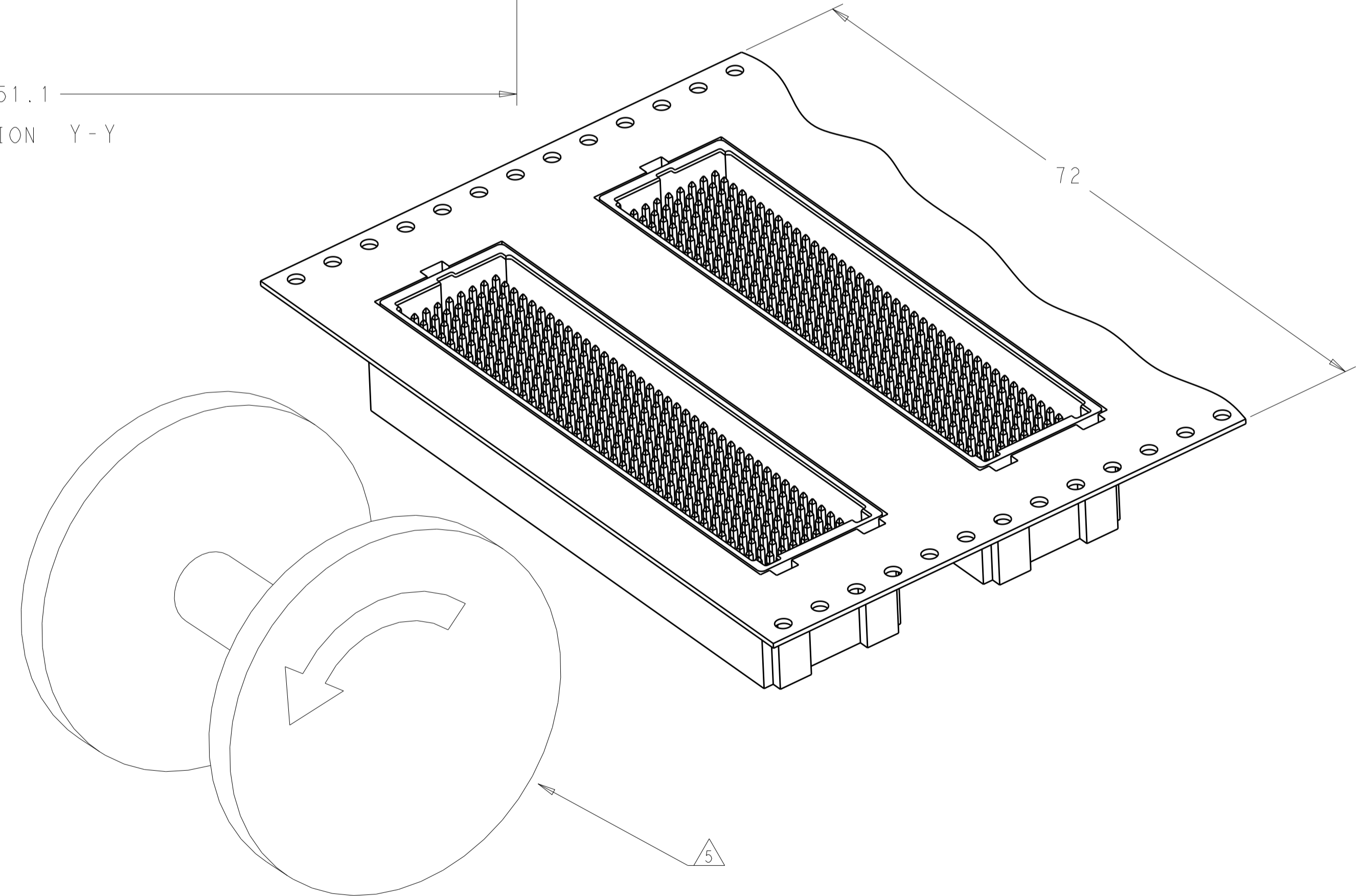
⚠ DIAGRAM REPRESENTS THE REELING DIRECTION OF THE PACKAGED CONNECTORS. THERE ARE 10 EMPTY POCKETS AT THE BEGINNING OF THE REEL AND 15 EMPTY POCKETS AT THE END OF THE REEL.



ASSEMBLY PART NUMBER, DATE CODE & COUNTRY OF ORIGIN MARKED IN THIS AREA



PCB LAYOUT (CONNECTOR SIDE)



1-2102430-2	1-2102430-6	2102430-8	2102430-6	0.76 μm	LEAD FREE PER SAC405	2102429-4
1-2102430-1	1-2102430-5	2102430-7	2102430-5	0.76 μm	TIN LEAD	2102429-3
1-2102430-0	1-2102430-4	2102430-4	2102430-2	1.27 μm	LEAD FREE PER SAC405	2102429-2
2102430-9	1-2102430-3	2102430-3	2102430-1	1.27 μm	TIN LEAD	2102429-1
18mm STACK MATING CONNECTOR	15mm STACK MATING CONNECTOR	12mm STACK MATING CONNECTOR	10mm STACK MATING CONNECTOR	GOLD PLATING THICKNESS	SOLDER BALL MATERIAL	PART NUMBER

THIS DRAWING IS A CONTROLLED DOCUMENT. DIMENSIONS: mm. TOLERANCES UNLESS OTHERWISE SPECIFIED: 0 PLC ±0.5, 1 PLC ±0.13, 2 PLC ±0.013, 3 PLC ±0.001, 4 PLC ±0.001. FINISH: 2. MATERIAL: 1. CUSTOMER DRAWING. SCALE: 3:1. SHEET 1 OF 1. REV A.

OWN: MCKIBBEN, JOHN. CHK: DOWHOWER, KENNETH. APVD: [Signature]. PRODUCT SPEC: 108-2411. APPLICATION SPEC: 114-132776. WEIGHT: -. CAGE CODE: A100779. DRAWING NO: C=2102429. RESTRICTED TO: [Signature].

STE TE Connectivity
 NAME: ASSEMBLY, PIN HOUSING XMC MEZZANINE 320 POSITION