



Chipsmall Limited consists of a professional team with an average of over 10 year of expertise in the distribution of electronic components. Based in Hongkong, we have already established firm and mutual-benefit business relationships with customers from,Europe,America and south Asia,supplying obsolete and hard-to-find components to meet their specific needs.

With the principle of “Quality Parts,Customers Priority,Honest Operation,and Considerate Service”,our business mainly focus on the distribution of electronic components. Line cards we deal with include Microchip,ALPS,ROHM,Xilinx,Pulse,ON,Everlight and Freescale. Main products comprise IC,Modules,Potentiometer,IC Socket,Relay,Connector.Our parts cover such applications as commercial,industrial, and automotives areas.

We are looking forward to setting up business relationship with you and hope to provide you with the best service and solution. Let us make a better world for our industry!



Contact us

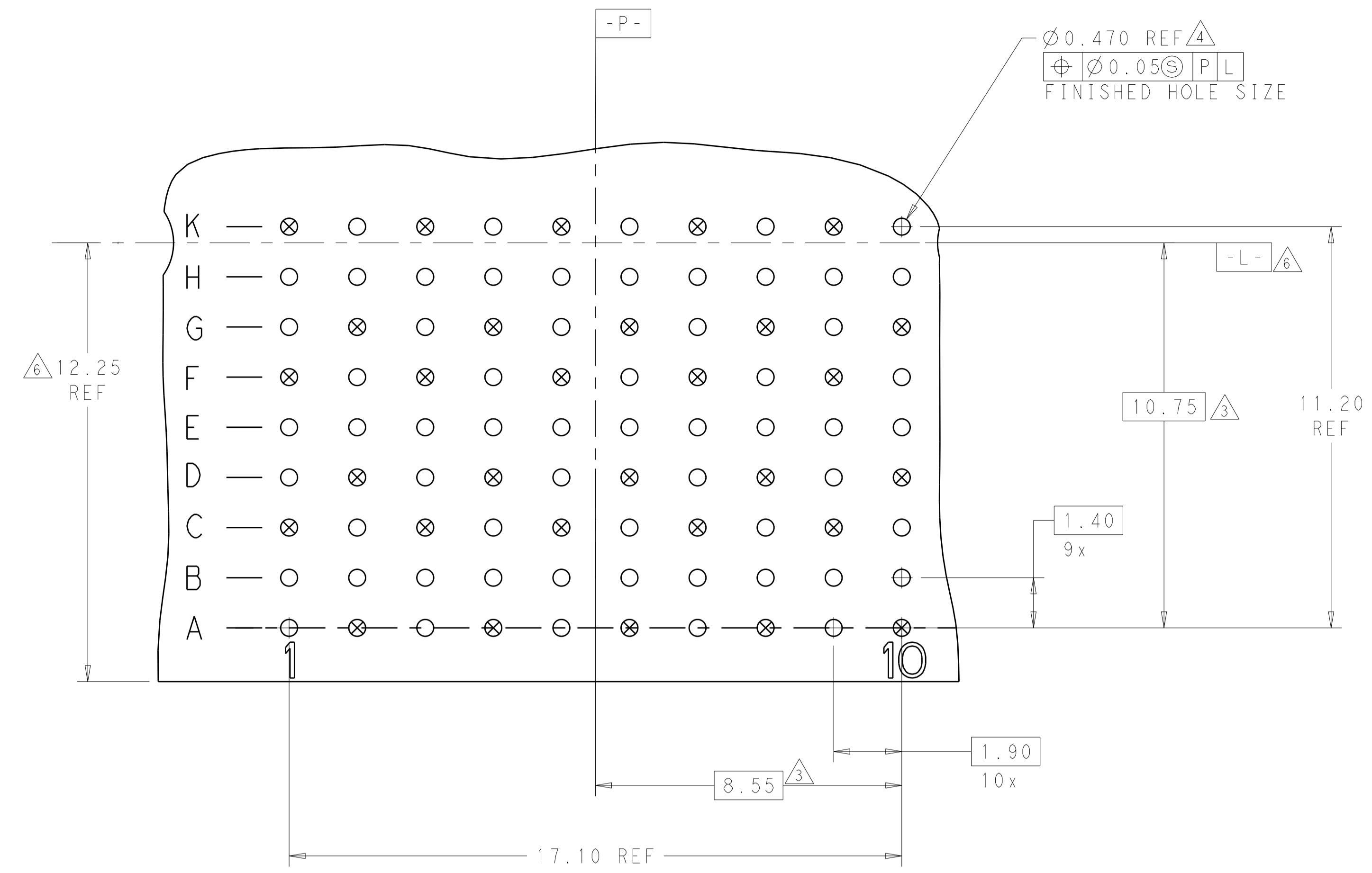
Tel: +86-755-8981 8866 Fax: +86-755-8427 6832

Email & Skype: info@chipsmall.com Web: www.chipsmall.com

Address: A1208, Overseas Decoration Building, #122 Zhenhua RD., Futian, Shenzhen, China



LOC		DIST		REVISIONS			
P	LTN	DESCRIPTION	DATE	DWN	APVD	CT	DH
D		REV PER ECO 14-018436	12-8-14	CT	DH		

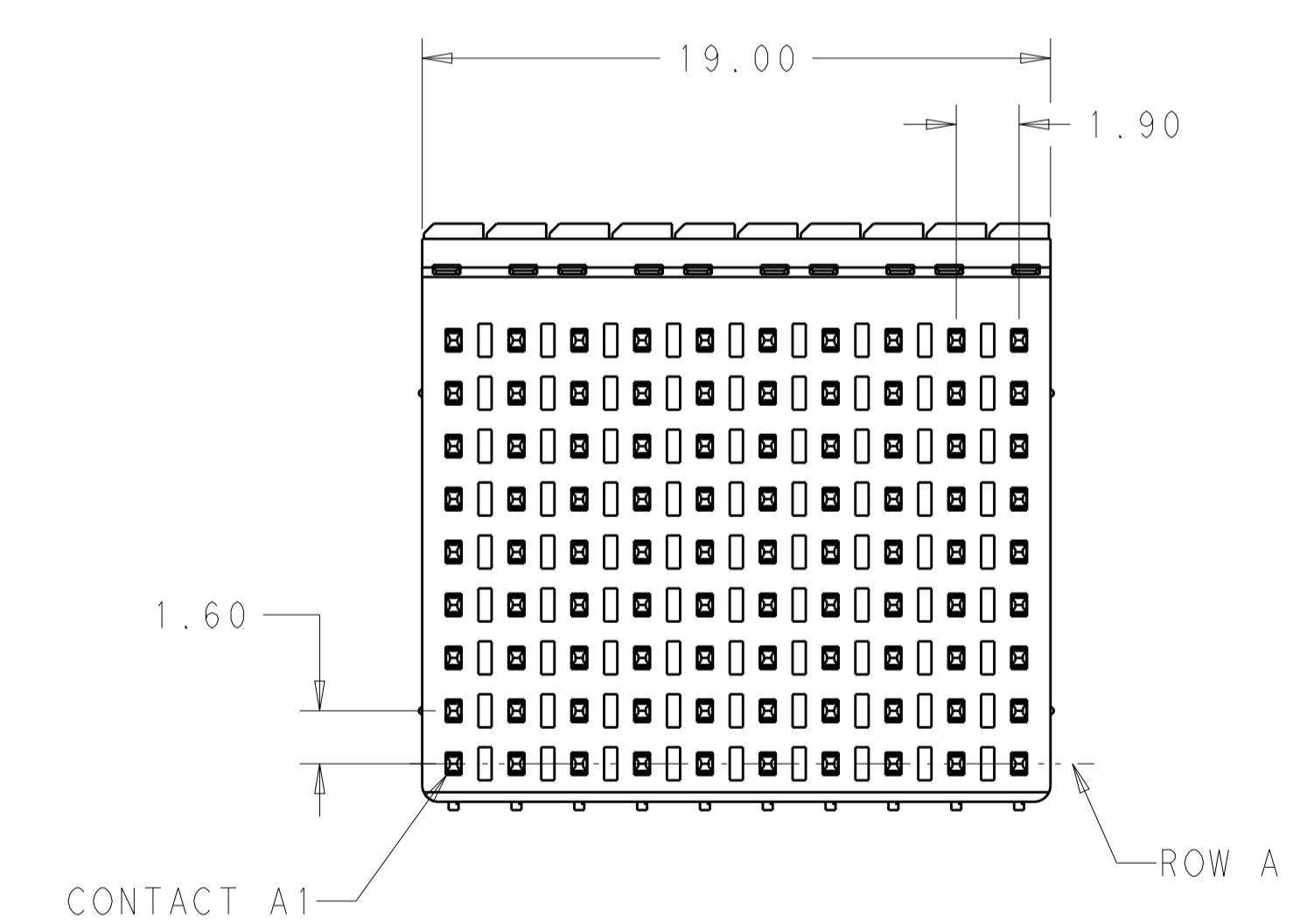
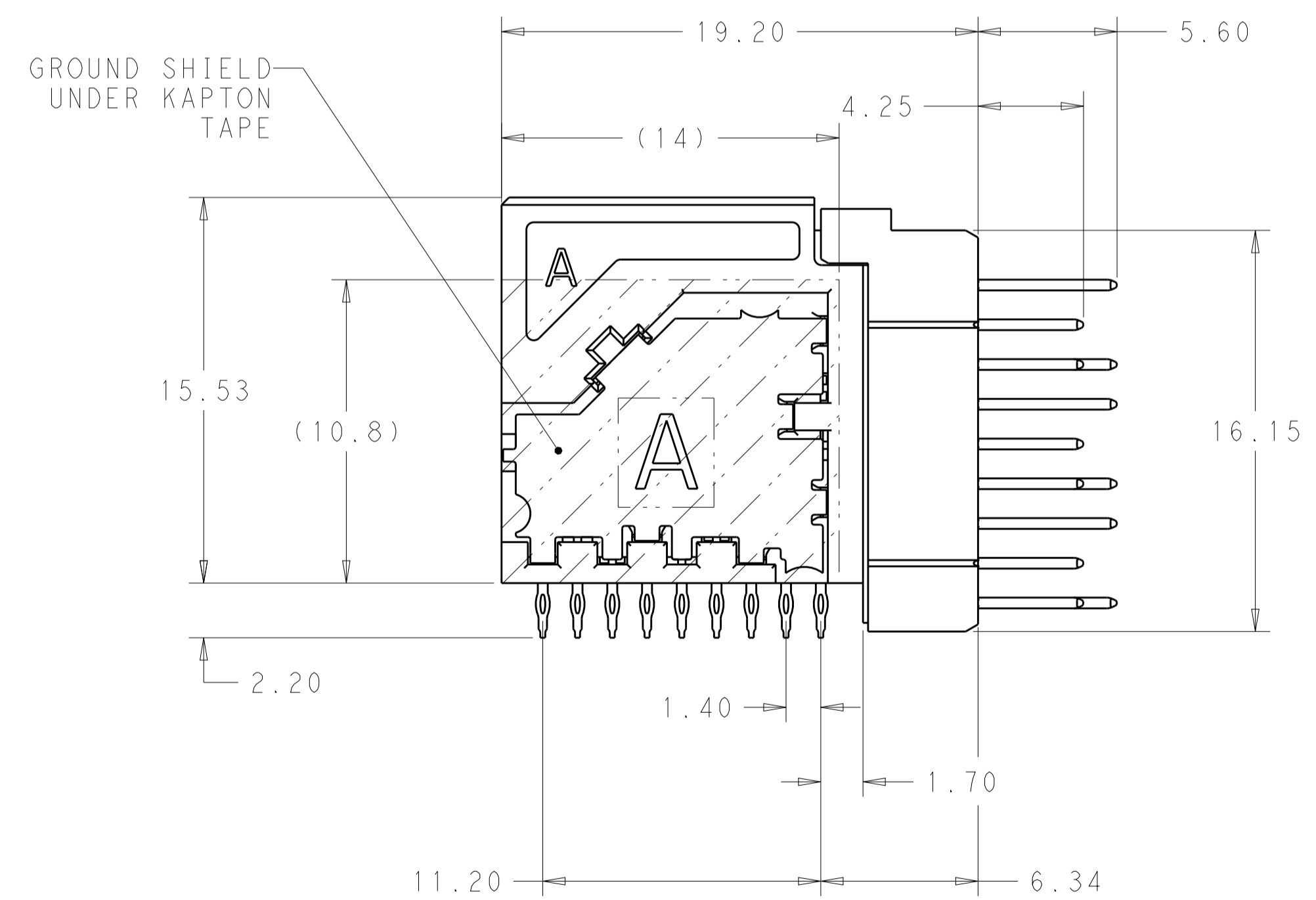


2102436-1, 2102436-3

RECOMMENDED PC BOARD LAYOUT
COMPONENT SIDE SHOWN
SCALE 10:1

- = SIGNAL
- ⊗ = GROUND

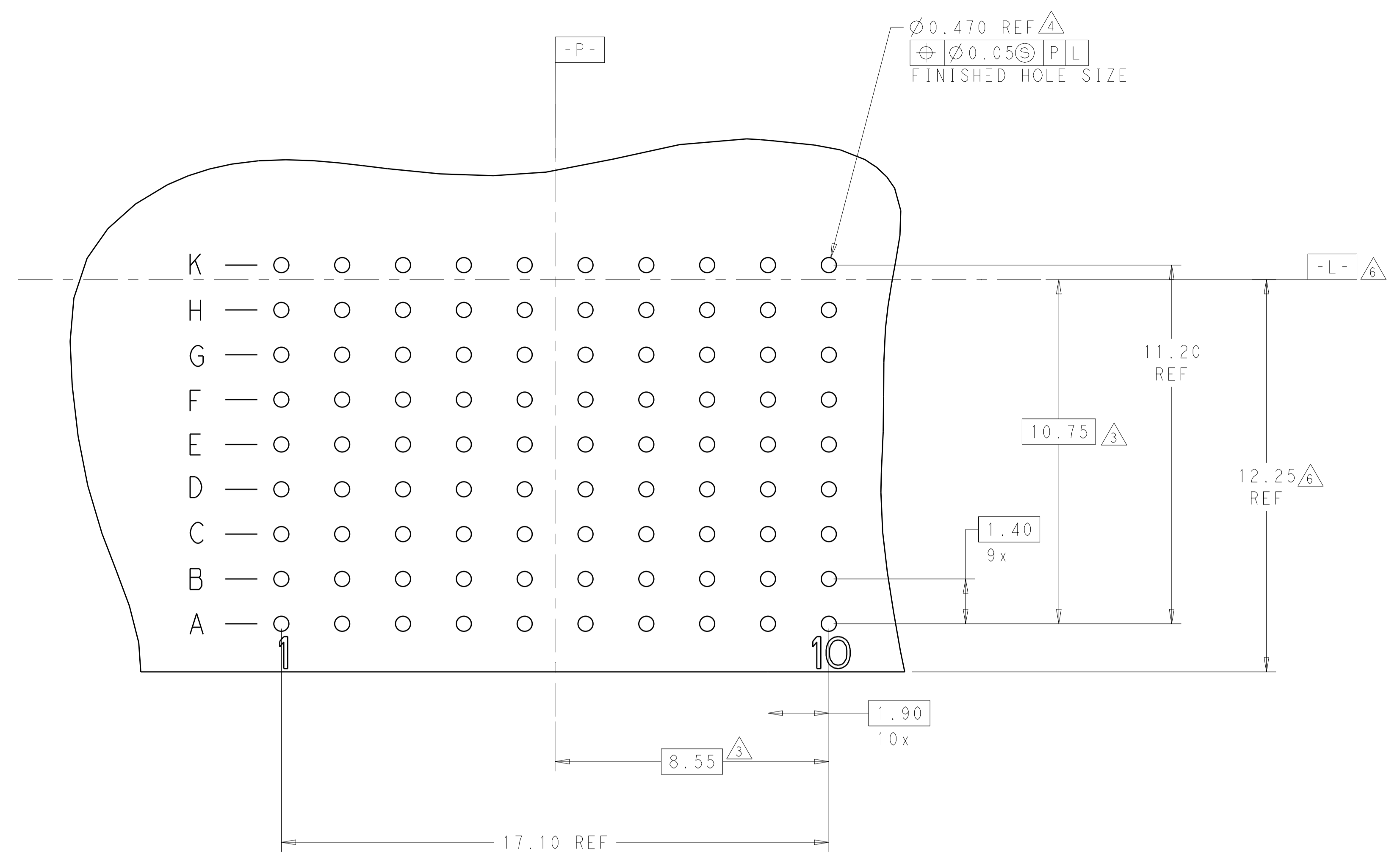
- △ MATERIAL:
CONTACT AND SHIELD: COPPER ALLOY
HOUSING AND CHICKLET: LCP, COLOR: BLACK
TAPE: POLYIMIDE FILM WITH SILICONE ADHESIVE
- △ FINISH:
CONTACT: MATING AREA: 1.27µm MIN GOLD OVER
1.27µm MIN NICKEL
COMPLIANT PIN: 0.5µm MIN MATTE TIN OVER
1.27µm MIN NICKEL
SHIELD: 1.27µm MIN NICKEL
- △ DIMENSION APPLIES TO CENTERLINE OF THRU HOLE
- △ PER APPLICATION SPEC 114-13267 MANUFACTURING TOLERANCES FOR
Ø0.46±.06 FINISHED HOLE WITH SnPb PLATING
DRILLED HOLE = Ø0.55±.025
Cu PLATING = 0.038±0.013
SnPb PLATING = 0.008±0.004
OR
Ø0.47±.055 FINISHED HOLE WITH OUT SnPb PLATING
DRILLED HOLE = Ø0.55±.025
Cu PLATING = 0.038±0.013
- △ GROUNDS ARE CONNECTED THROUGH GROUNDING SHIELD. GROUNDS DO NOT APPLY TO SINGLE ENDED MODULE.
- △ SEE PRINT 2102427-1 FOR DIMENSIONS
- △ FINISH:
CONTACT: MATING AREA: 1.27µm MIN GOLD OVER
1.27µm MIN NICKEL
COMPLIANT PIN: 0.5µm MIN BRIGHT TIN LEAD OVER
1.27µm MIN NICKEL
SHIELD: 1.27µm MIN NICKEL



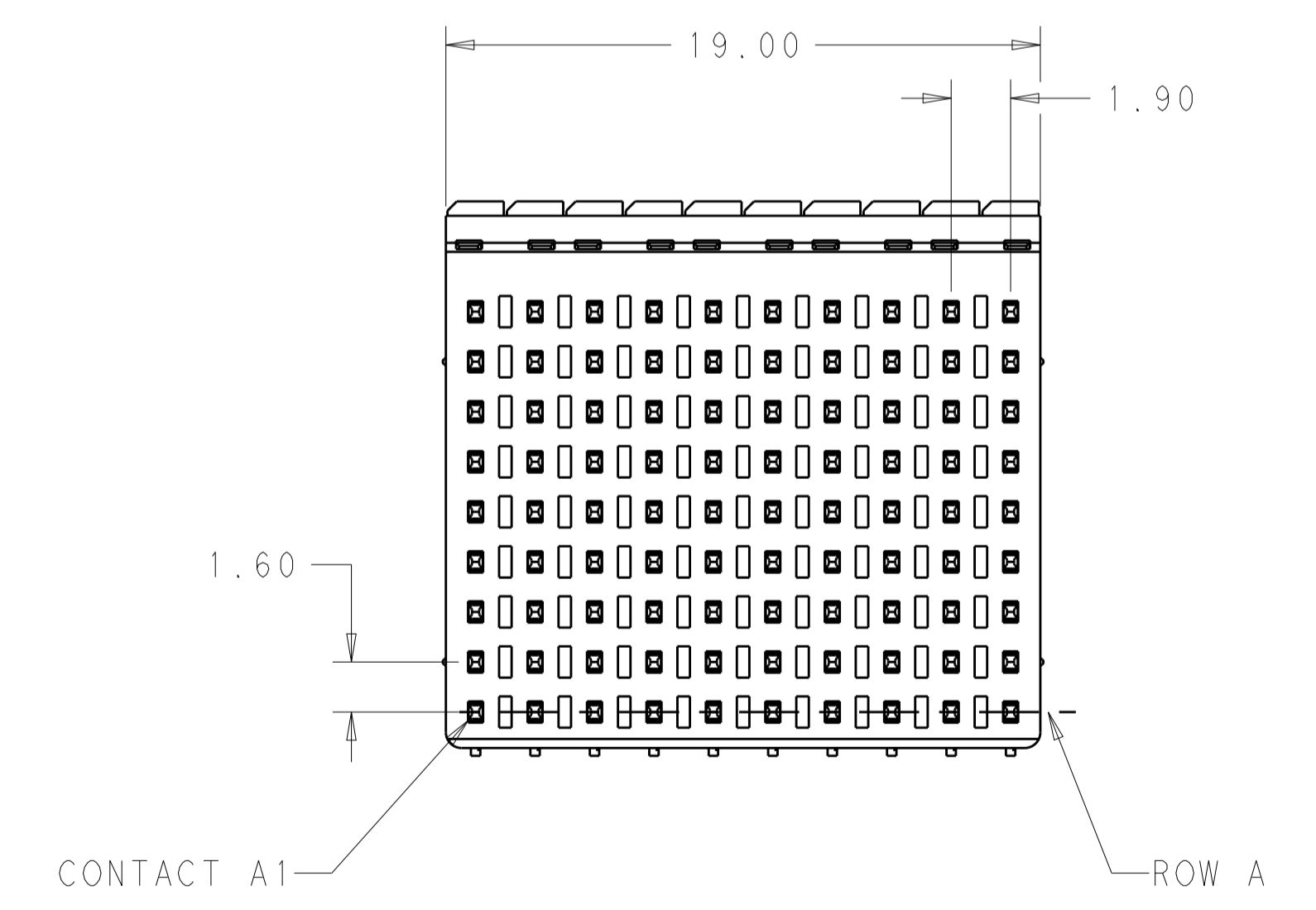
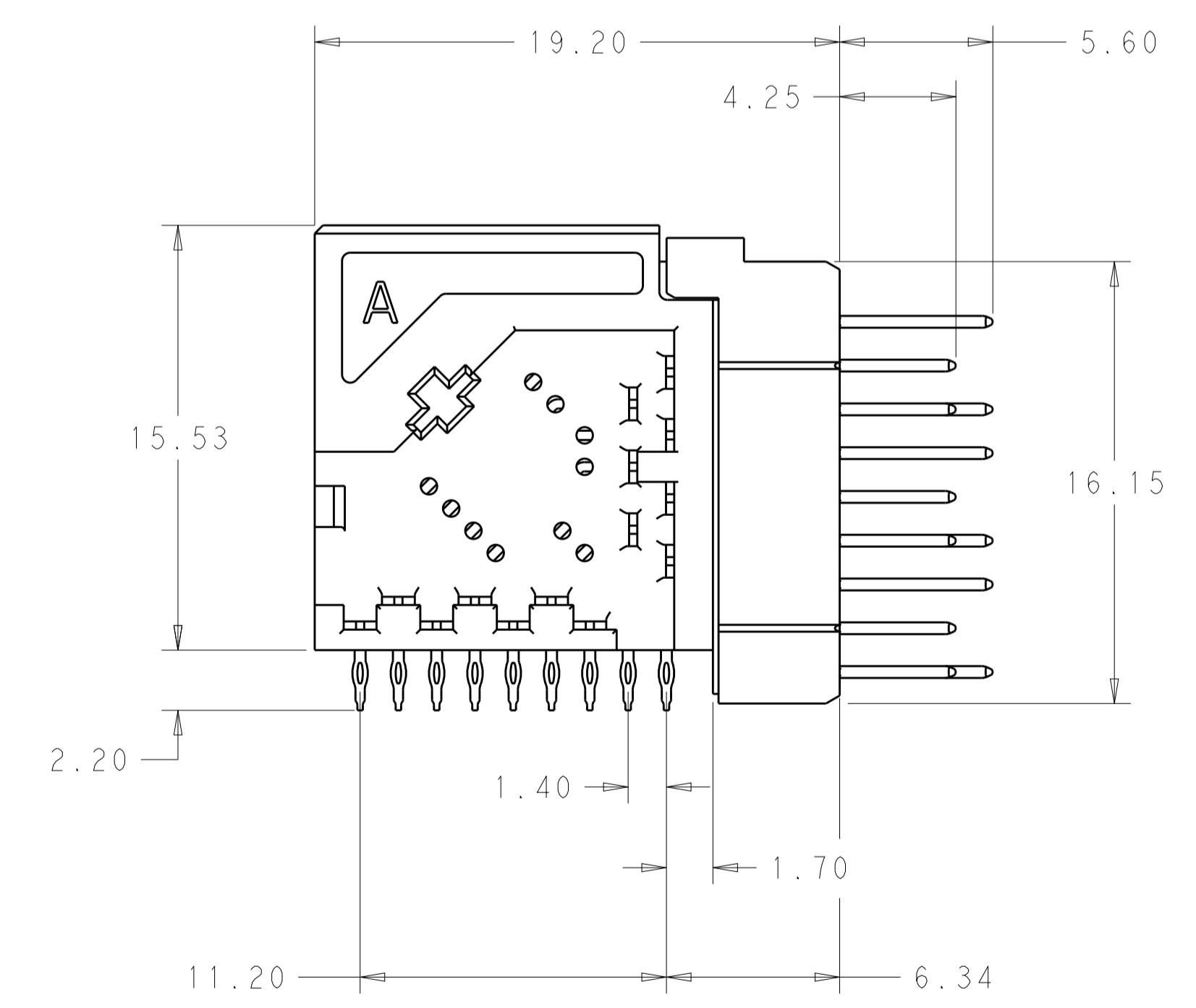
△	SINGLE ENDED	2102436-4
△	DIFFERENTIAL PAIR	2102436-3
△	SINGLE ENDED	2102436-2
△	DIFFERENTIAL PAIR	2102436-1
FINISH	DESCRIPTION	PART NUMBER

THIS DRAWING IS A CONTROLLED DOCUMENT.		DWN	TOMAR2011	TE Connectivity	
DIMENSIONS:		CHK	D. BELACK	NAME	
mm		APVD	K. MILLER	Fortis Zd, METAL SHELL LRU, RIGHT ANGLE HEADER, MODULE	
TOLERANCES UNLESS OTHERWISE SPECIFIED:		PRODUCT SPEC	K. THACKSTON	SIZE	
0 PLC ±.13		APPLICATION SPEC		CAGE CODE DRAWING NO	
1 PLC ±0.10		114-13267		RESTRICTED TO	
2 PLC ±.075		108-2409		SCALE	
3 PLC ±.05		114-13267		SHEET	
4 PLC ±.025		114-13267		OF	
ANGLES ±.2°		WEIGHT	~12.08 g	REV	
FINISH SEE TABLE		CUSTOMER DRAWING		D	

LOC	DIST	REV	DATE	BY	APPV
-	-	-	-	-	-
REVISIONS					
DESCRIPTION		DATE	BY	APPV	
SEE SHEET 1		-	-	-	-



2102436-2, 2102436-4



THIS DRAWING IS A CONTROLLED DOCUMENT.		OWN: D. BELACK 10MAR2011	TE Connectivity	
DIMENSIONS: mm		CHK: K. MILLER		
TOLERANCES UNLESS OTHERWISE SPECIFIED:		APVD: K. THACKSTON	NAME: Fortis Zd. METAL SHELL LRU, RIGHT ANGLE HEADER, MODULE	
0 PLC ±0.13		PRODUCT SPEC: 108-2409	SIZE: A1	
1 PLC ±0.10		APPLICATION SPEC: 114-13267	CAGE CODE: -	
2 PLC ±0.08		WEIGHT: g	DRAWING NO: C=2102436	
3 PLC ±0.07		RESTRICTED TO: -	SCALE: 10:1	
4 PLC ±0.05		Customer Drawing	SHEET 2 OF 2	
ANGLES ±2°			REV D	
FINISH SEE TABLE				