



Chipsmall Limited consists of a professional team with an average of over 10 year of expertise in the distribution of electronic components. Based in Hongkong, we have already established firm and mutual-benefit business relationships with customers from,Europe,America and south Asia,supplying obsolete and hard-to-find components to meet their specific needs.

With the principle of “Quality Parts,Customers Priority,Honest Operation,and Considerate Service”,our business mainly focus on the distribution of electronic components. Line cards we deal with include Microchip,ALPS,ROHM,Xilinx,Pulse,ON,Everlight and Freescale. Main products comprise IC,Modules,Potentiometer,IC Socket,Relay,Connector.Our parts cover such applications as commercial,industrial, and automotives areas.

We are looking forward to setting up business relationship with you and hope to provide you with the best service and solution. Let us make a better world for our industry!



## Contact us

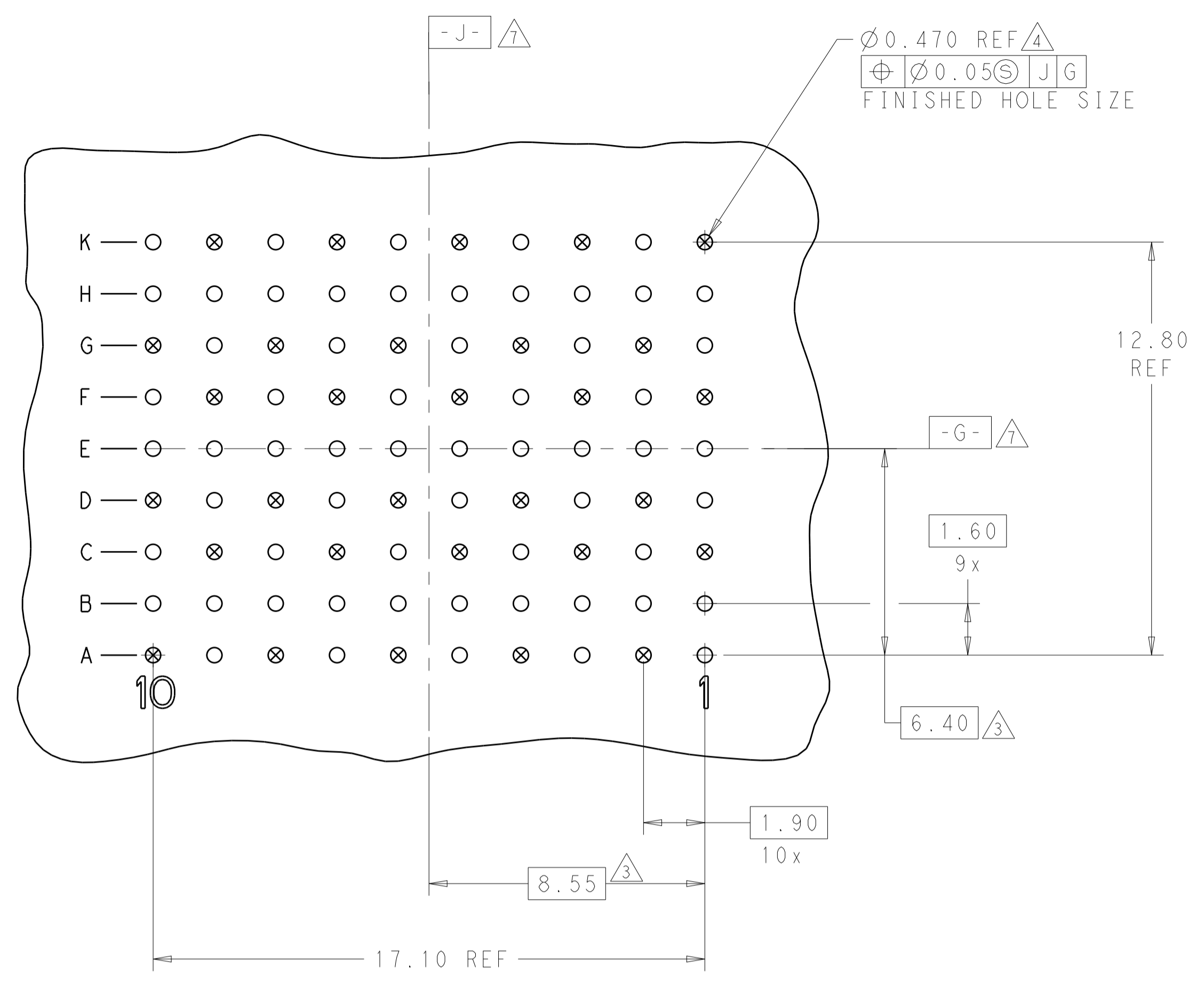
Tel: +86-755-8981 8866 Fax: +86-755-8427 6832

Email & Skype: info@chipsmall.com Web: www.chipsmall.com

Address: A1208, Overseas Decoration Building, #122 Zhenhua RD., Futian, Shenzhen, China



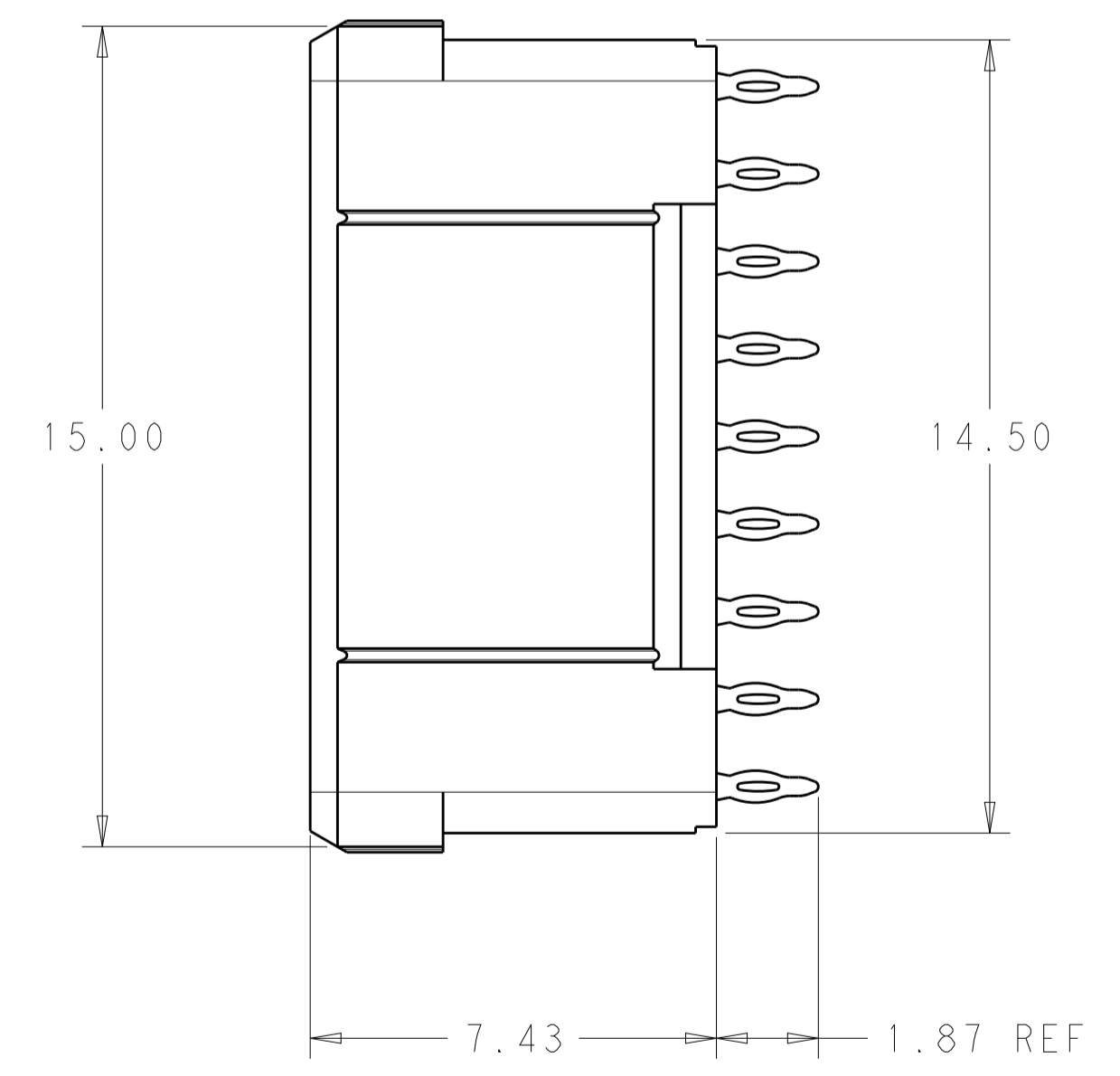
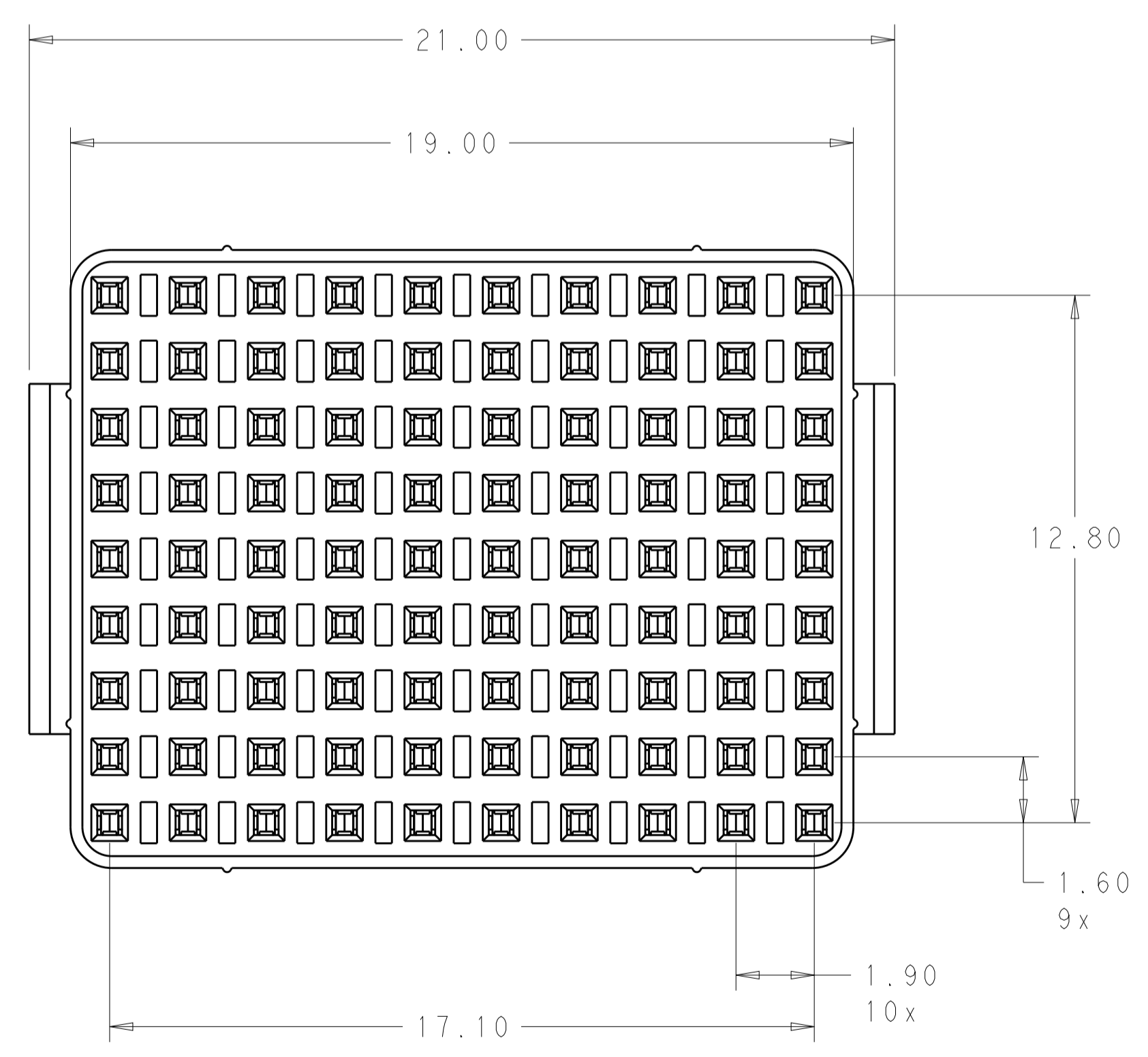
LOC	DIST	REV	DATE	BY	CHK	APPV
-	-	A	27SEP2013	DCB	KT	
-	-	B	29MAY2014	BY	KMT	



RECOMMENDED PC BOARD LAYOUT  
COMPONENT SIDE SHOWN  
SCALE 8:1

○ = SIGNAL  
⊗ = GROUND

- 1 MATERIAL:  
CONTACT - COPPER ALLOY  
HOUSING - LCP, COLOR: BLACK
- 2 FINISH:  
MATING AREA: 1.27µm MIN GOLD OVER  
1.27µm MIN NICKEL  
COMPLIANT PIN: 0.38µm MIN MATTE TIN OVER  
1.27µm MIN NICKEL
- 3 DIMENSION APPLIES TO CENTERLINE OF THRU HOLE
- 4 PER APPLICATION SPEC 114-13267 MANUFACTURING TOLERANCES FOR  
Ø0.46±.06 FINISHED HOLE WITH SnPb PLATING  
DRILLED HOLE = Ø0.55±.025  
Cu PLATING = 0.038±0.013  
SnPb PLATING = 0.008±0.004  
OR  
Ø0.47±.055 FINISHED HOLE WITH OUT SnPb PLATING  
DRILLED HOLE = Ø0.55±.025  
Cu PLATING = 0.038±0.013
- 5 GROUNDS APPLY WHEN USING 2102436-1 & 2102436-3 MODULE
- 6 FINISH:  
MATING AREA: 1.27µm MIN GOLD OVER  
1.27µm MIN NICKEL  
COMPLIANT TAIL: 0.5µm MIN BRIGHT TIN LEAD OVER  
1.27µm MIN NICKEL
- 7 REFERENCE PRINT 2102428 FOR DIMENSIONS.



6	2102438-2
2	2102438-1
FINISH	PART NUMBER

THIS DRAWING IS A CONTROLLED DOCUMENT.		DWN D. BELACK	10MAR2011	TE Connectivity	
DIMENSIONS: mm		CHK K. MILLER	APVD K. THACKSTON	NAME Fortis Zd, METAL SHELL LRU, VERTICAL MINI-BOX MODULE	
TOLERANCES UNLESS OTHERWISE SPECIFIED:		PRODUCT SPEC 108-2409		SIZE 114-13267	
0 PLC ±.13		APPLICATION SPEC		RESTRICTED TO	
1 PLC ±0.10		114-13267		SCALE 8:1 SHEET 1 OF 1 REV B	
2 PLC ±.075		WEIGHT ~ 3.04g		A100779C=2102438	
3 PLC ±.05		CUSTOMER DRAWING			
4 PLC ±.025					
ANGLES ±.2°					
FINISH SEE TABLE					