



Chipsmall Limited consists of a professional team with an average of over 10 year of expertise in the distribution of electronic components. Based in Hongkong, we have already established firm and mutual-benefit business relationships with customers from,Europe,America and south Asia,supplying obsolete and hard-to-find components to meet their specific needs.

With the principle of “Quality Parts,Customers Priority,Honest Operation,and Considerate Service”,our business mainly focus on the distribution of electronic components. Line cards we deal with include Microchip,ALPS,ROHM,Xilinx,Pulse,ON,Everlight and Freescale. Main products comprise IC,Modules,Potentiometer,IC Socket,Relay,Connector.Our parts cover such applications as commercial,industrial, and automotives areas.

We are looking forward to setting up business relationship with you and hope to provide you with the best service and solution. Let us make a better world for our industry!



Contact us

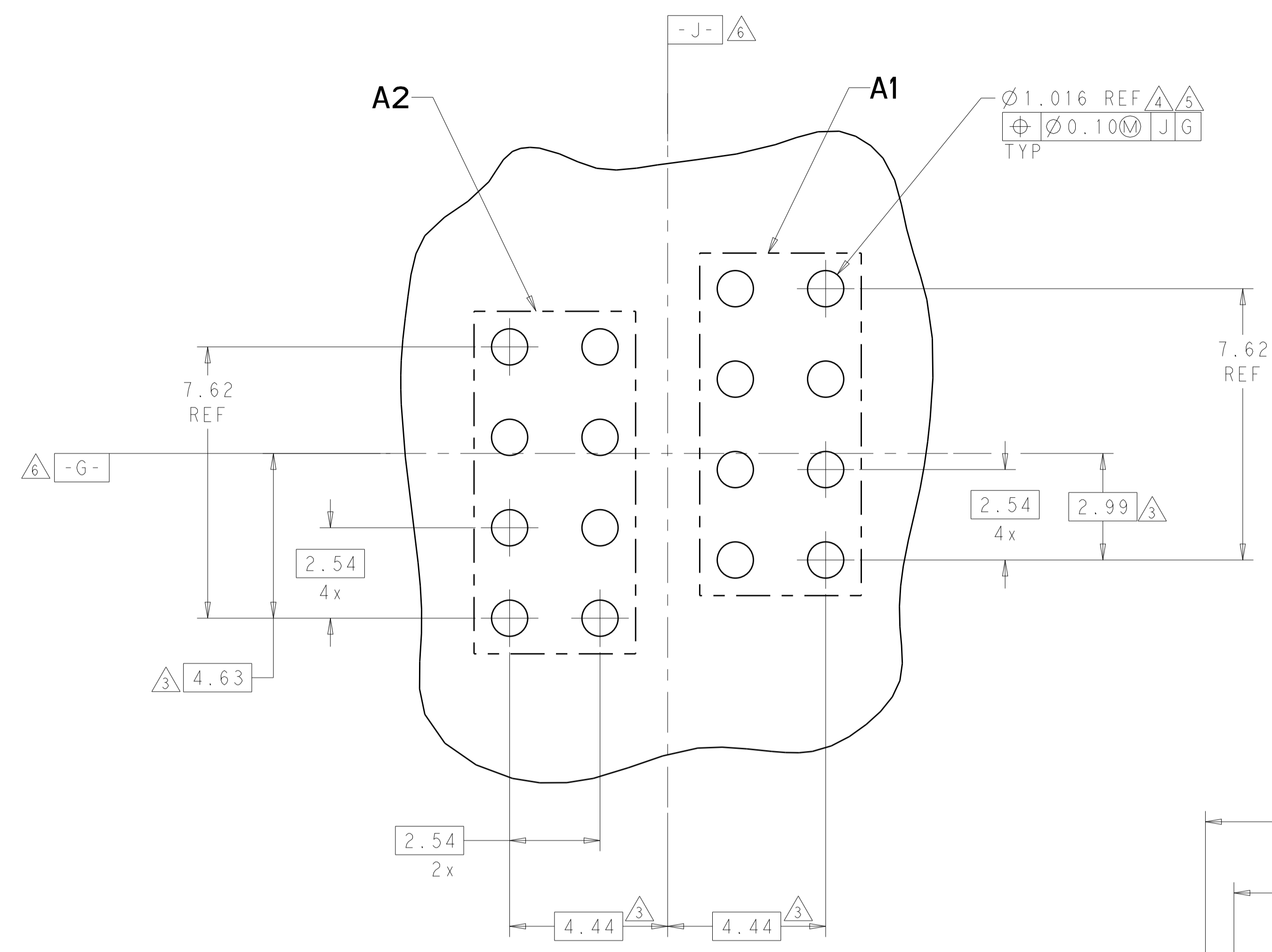
Tel: +86-755-8981 8866 Fax: +86-755-8427 6832

Email & Skype: info@chipsmall.com Web: www.chipsmall.com

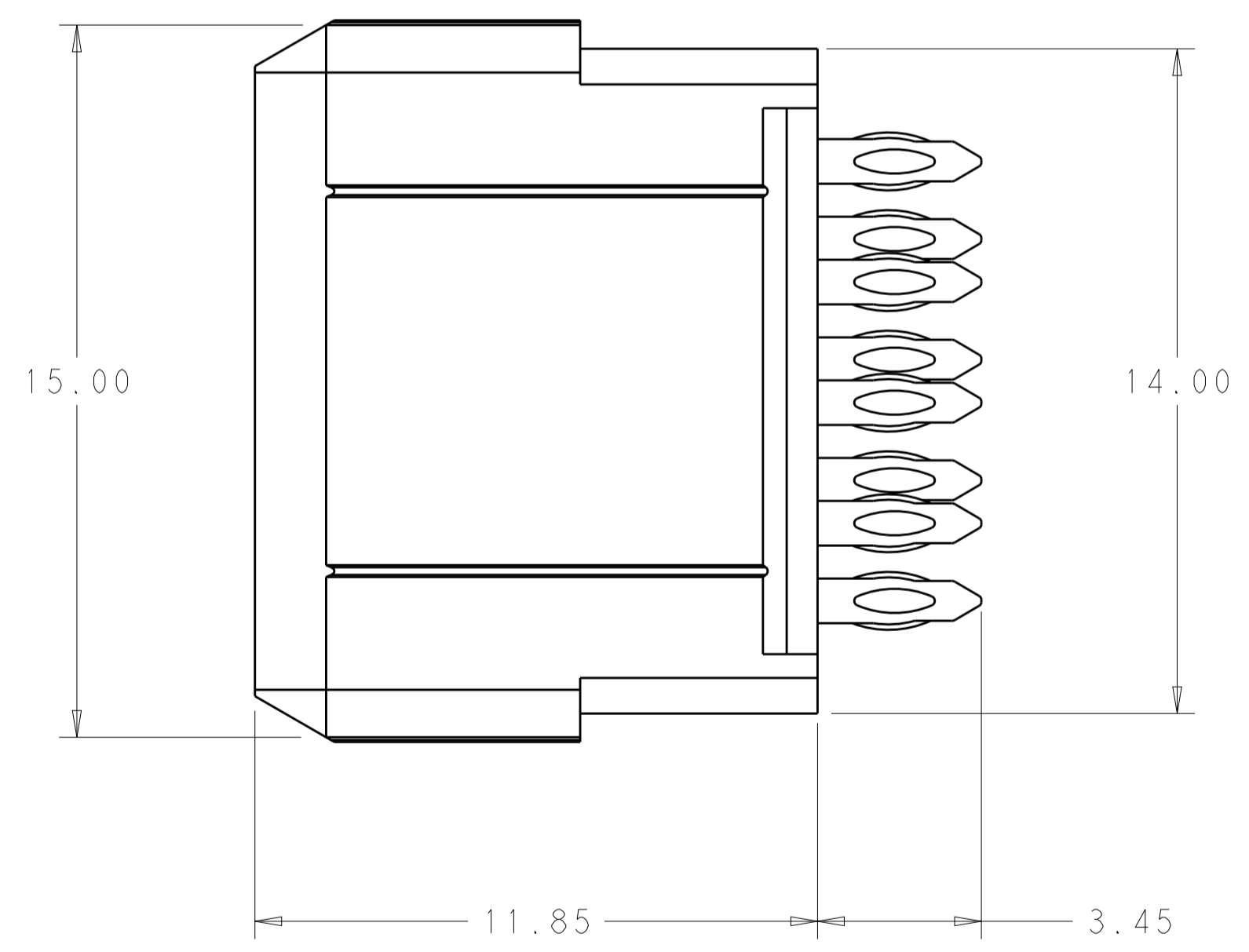
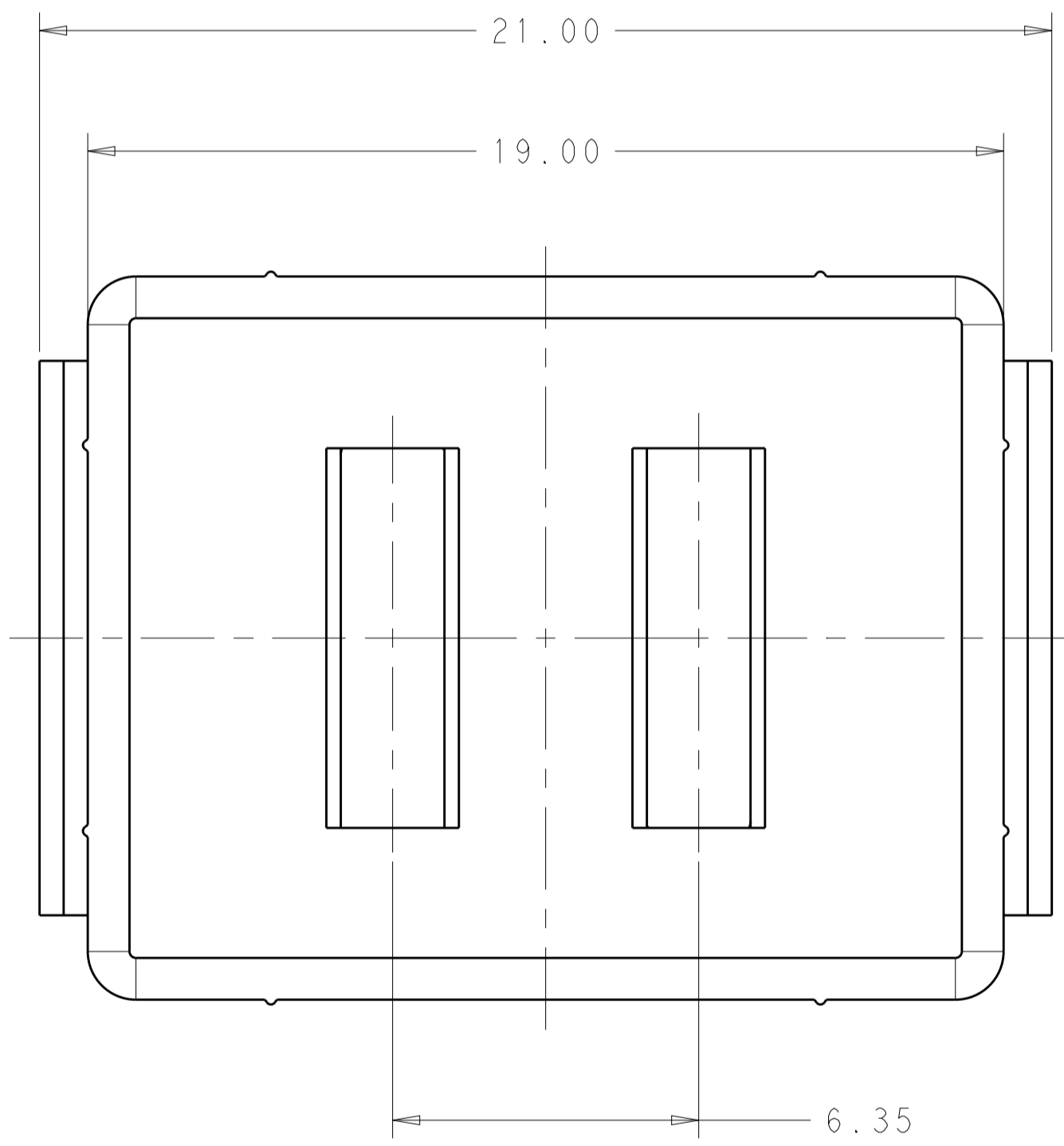
Address: A1208, Overseas Decoration Building, #122 Zhenhua RD., Futian, Shenzhen, China



LOC	DIST	REV	DATE	BY	CHK	APPV
-	-	C	12-15-14	CT	DH	
-	-	D	30MAR2016	RS	CT	



RECOMMENDED PC BOARD LAYOUT
 COMPONENT SIDE SHOWN
 SCALE 10:1



- ① MATERIAL:
 CONTACT - COPPER ALLOY
 HOUSING - LCP, COLOR - BLACK
- ② FINISH:
 MATING AREA: 0.76µm MIN GOLD OVER
 1.27µm MIN NICKEL
 COMPLIANT PIN AREA: 2.54µm MIN MATTE TIN
- ③ DIMENSION APPLIES TO CENTERLINE OF THRU HOLE.
- ④ PCB - ALL HOLE DIAMETERS ARE FINISHED HOLE SIZES.
- ⑤ REFERENCE APPLICATION SPEC 114-13251 FOR RECOMMENDED PLATED THRU HOLE DIAMETER AND PLATING THICKNESS.
- ⑥ REFERENCE PRINT 2102428 FOR DIMENSIONS.

① 2102442-1

THIS DRAWING IS A CONTROLLED DOCUMENT.		OWN: D. BELACK CHK: K. THACKSTON APVD: M. McALONIS	DATE: 10MAR2011	TE Connectivity	
DIMENSIONS: mm		TOLERANCES UNLESS OTHERWISE SPECIFIED:	PRODUCT SPEC: 108-2474	NAME: HIGH POWER, METAL SHELL LRU, VERTICAL SOCKET MODULE	
0 PLC ±0.13 1 PLC ±0.10 2 PLC ±0.10 3 PLC ±0.10 4 PLC ±0.10 ANGLES ±2°		APPLICATION SPEC: 114-13251	SIZE: A100779	DRAWING NO: C=2102442	RESTRICTED TO: -
MATERIAL: ① SEE TABLE		WEIGHT: ~ 4.93g	CUSTOMER DRAWING	SCALE: 8:1	SHEET 1 OF 1 REV D