



Chipsmall Limited consists of a professional team with an average of over 10 year of expertise in the distribution of electronic components. Based in Hongkong, we have already established firm and mutual-benefit business relationships with customers from,Europe,America and south Asia,supplying obsolete and hard-to-find components to meet their specific needs.

With the principle of “Quality Parts,Customers Priority,Honest Operation,and Considerate Service”,our business mainly focus on the distribution of electronic components. Line cards we deal with include Microchip,ALPS,ROHM,Xilinx,Pulse,ON,Everlight and Freescale. Main products comprise IC,Modules,Potentiometer,IC Socket,Relay,Connector.Our parts cover such applications as commercial,industrial, and automotives areas.

We are looking forward to setting up business relationship with you and hope to provide you with the best service and solution. Let us make a better world for our industry!



Contact us

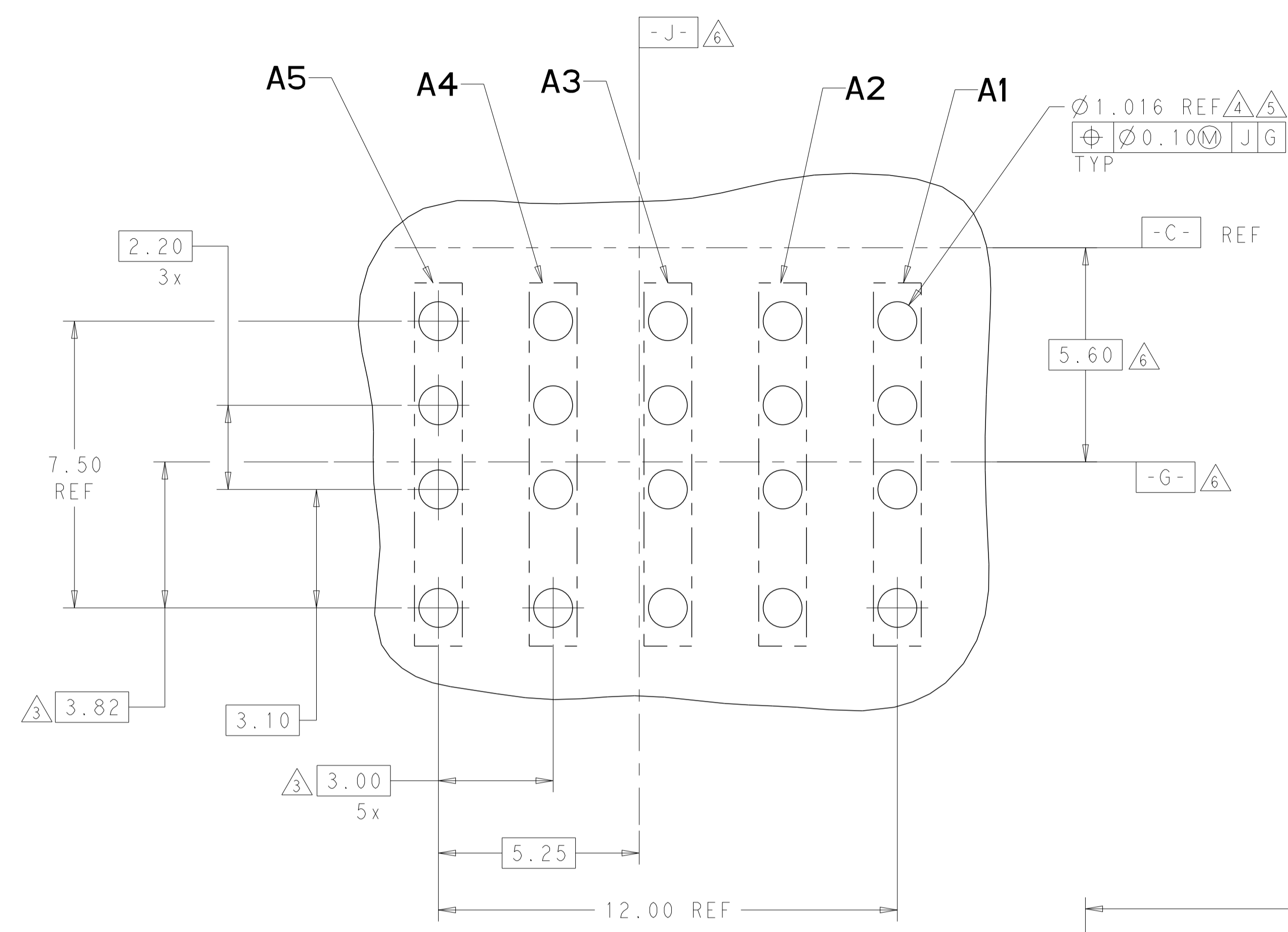
Tel: +86-755-8981 8866 Fax: +86-755-8427 6832

Email & Skype: info@chipsmall.com Web: www.chipsmall.com

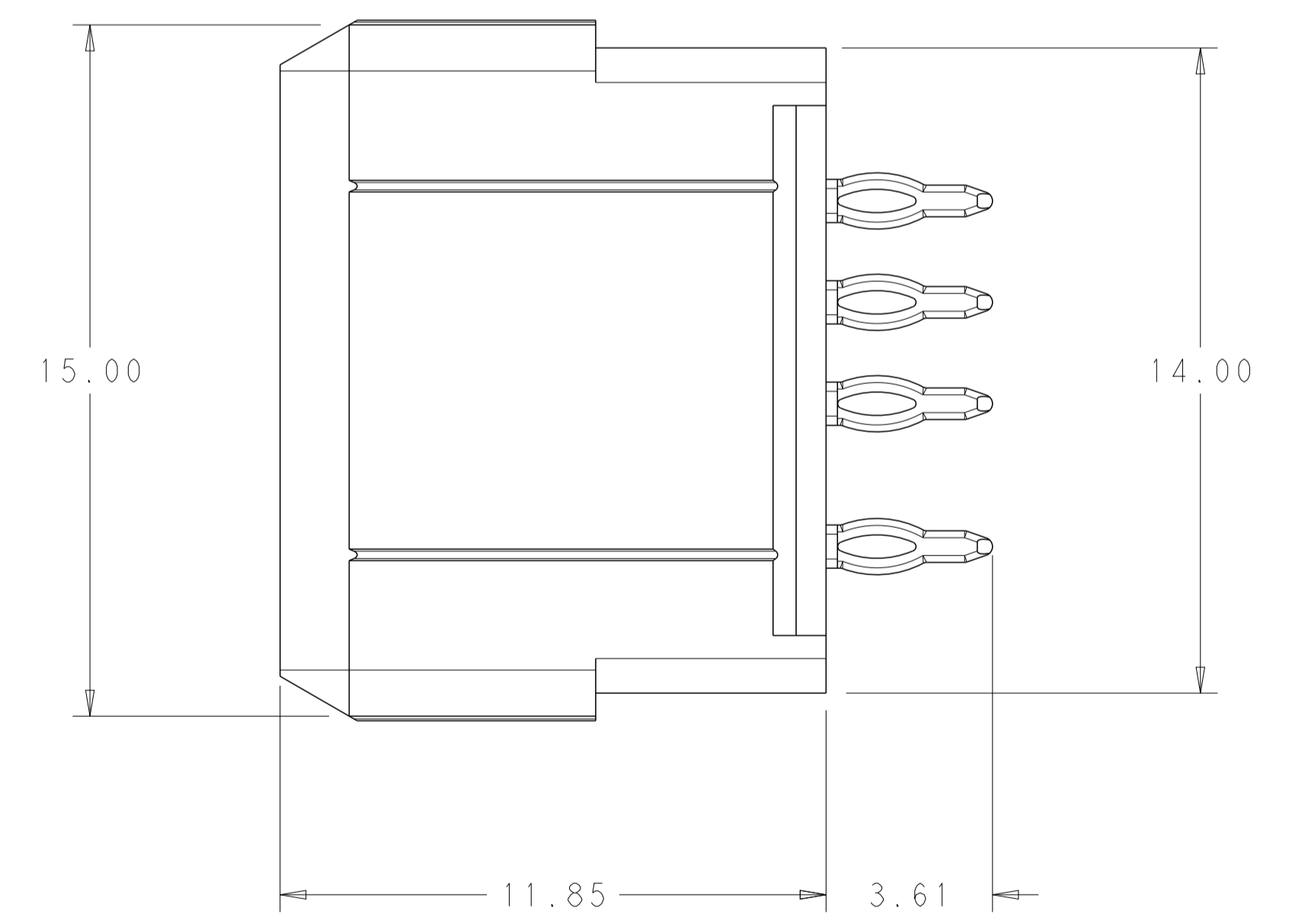
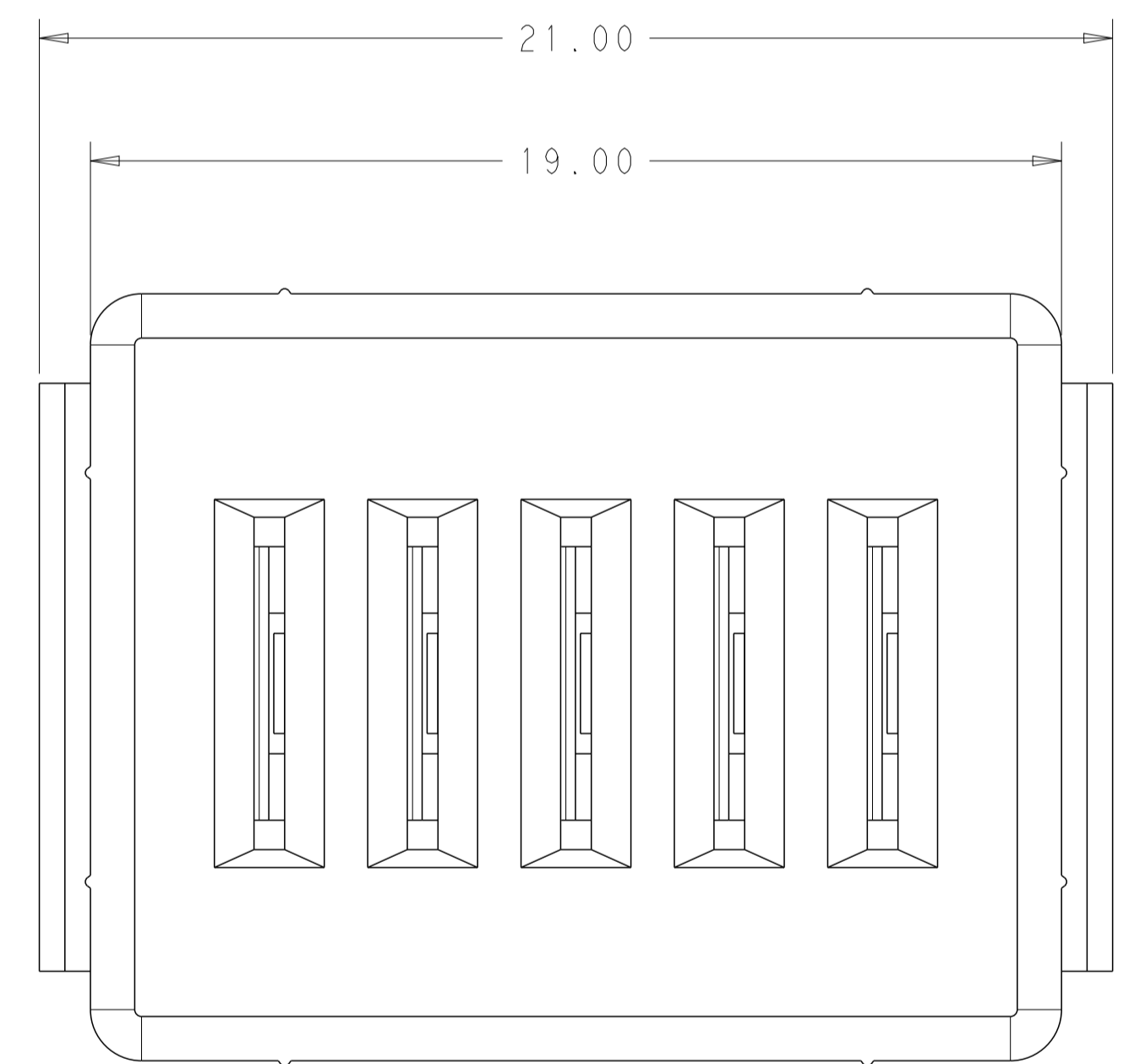
Address: A1208, Overseas Decoration Building, #122 Zhenhua RD., Futian, Shenzhen, China



LOC		DIST		REVISIONS			
P	LTN	DESCRIPTION	DATE	DWN	APVD		
C		REV PER ECO 14-018159	12-15-14	CT	DH		
D		REVISED PER ECO-16-002176	30MAR2016	RS	CT		



RECOMMENDED PC BOARD LAYOUT
COMPONENT SIDE SHOWN
SCALE 10:1



- 1 MATERIAL:
CONTACT - COPPER ALLOY
HOUSING - LCP, COLOR - BLACK
- 2 FINISH:
MATING AREA: 0.76 μm MIN GOLD OVER
2.54 μm MIN NICKEL
COMPLIANT PIN AREA: 0.76 μm MIN MATTE TIN OVER
2.54 μm MIN NICKEL
- 3 DIMENSION APPLIES TO CENTERLINE OF THRU HOLE.
- 4 PCB- ALL HOLE DIAMETER ARE FINISHED DIMENSIONS.
- 5 REFERENCE APPLICATION SPEC 114-13251 FOR RECOMMENDED PLATED THRU HOLE DIAMETER AND PLATING THICKNESS.
- 6 REFERENCE PRINT 2102428 FOR DIMENSIONS.

2102446-1
FINISH
PART NUMBER

THIS DRAWING IS A CONTROLLED DOCUMENT.		DWN D. BELACK	11MAR2011	TE Connectivity	
DIMENSIONS: mm		CHK K. THACKSTON	APVD M. McALONIS	NAME LOW POWER, METAL SHELL LRU, VERTICAL RECEPTACLE, MODULE	
TOLERANCES UNLESS OTHERWISE SPECIFIED: 0 PLC ±0.13 1 PLC ±0.10 2 PLC ±0.10 3 PLC ±0.10 4 PLC ±0.10 ANGLES ±2°		PRODUCT SPEC 108-2474		APPLICATION SPEC 114-13251	
MATERIAL SEE TABLE		WEIGHT ~5.21g		SIZE A100779	
CUSTOMER DRAWING		SCALE 8:1		SHEET 1 OF 1 REV D	