



Chipsmall Limited consists of a professional team with an average of over 10 year of expertise in the distribution of electronic components. Based in Hongkong, we have already established firm and mutual-benefit business relationships with customers from,Europe,America and south Asia,supplying obsolete and hard-to-find components to meet their specific needs.

With the principle of "Quality Parts,Customers Priority,Honest Operation,and Considerate Service",our business mainly focus on the distribution of electronic components. Line cards we deal with include Microchip,ALPS,ROHM,Xilinx,Pulse,ON,Everlight and Freescale. Main products comprise IC,Modules,Potentiometer,IC Socket,Relay,Connector.Our parts cover such applications as commercial,industrial, and automotives areas.

We are looking forward to setting up business relationship with you and hope to provide you with the best service and solution. Let us make a better world for our industry!



Contact us

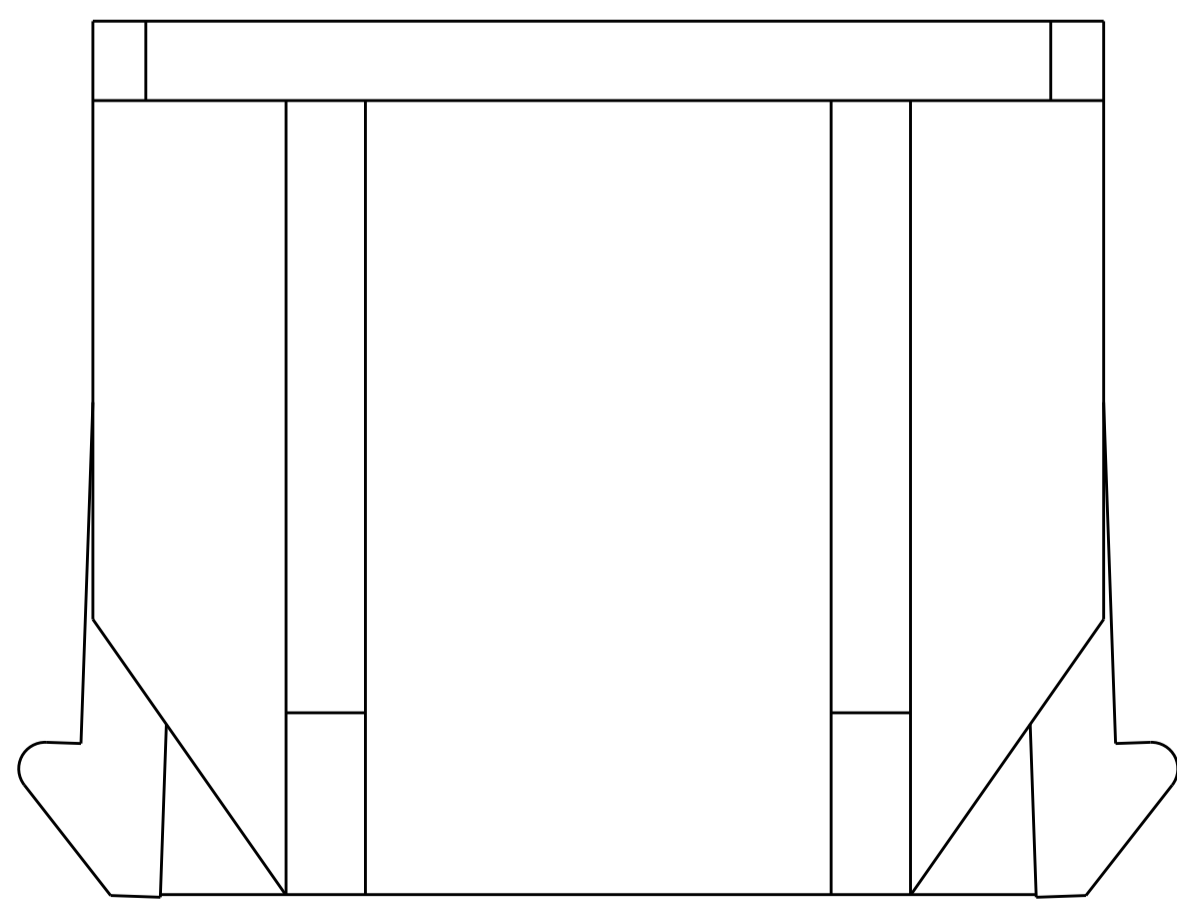
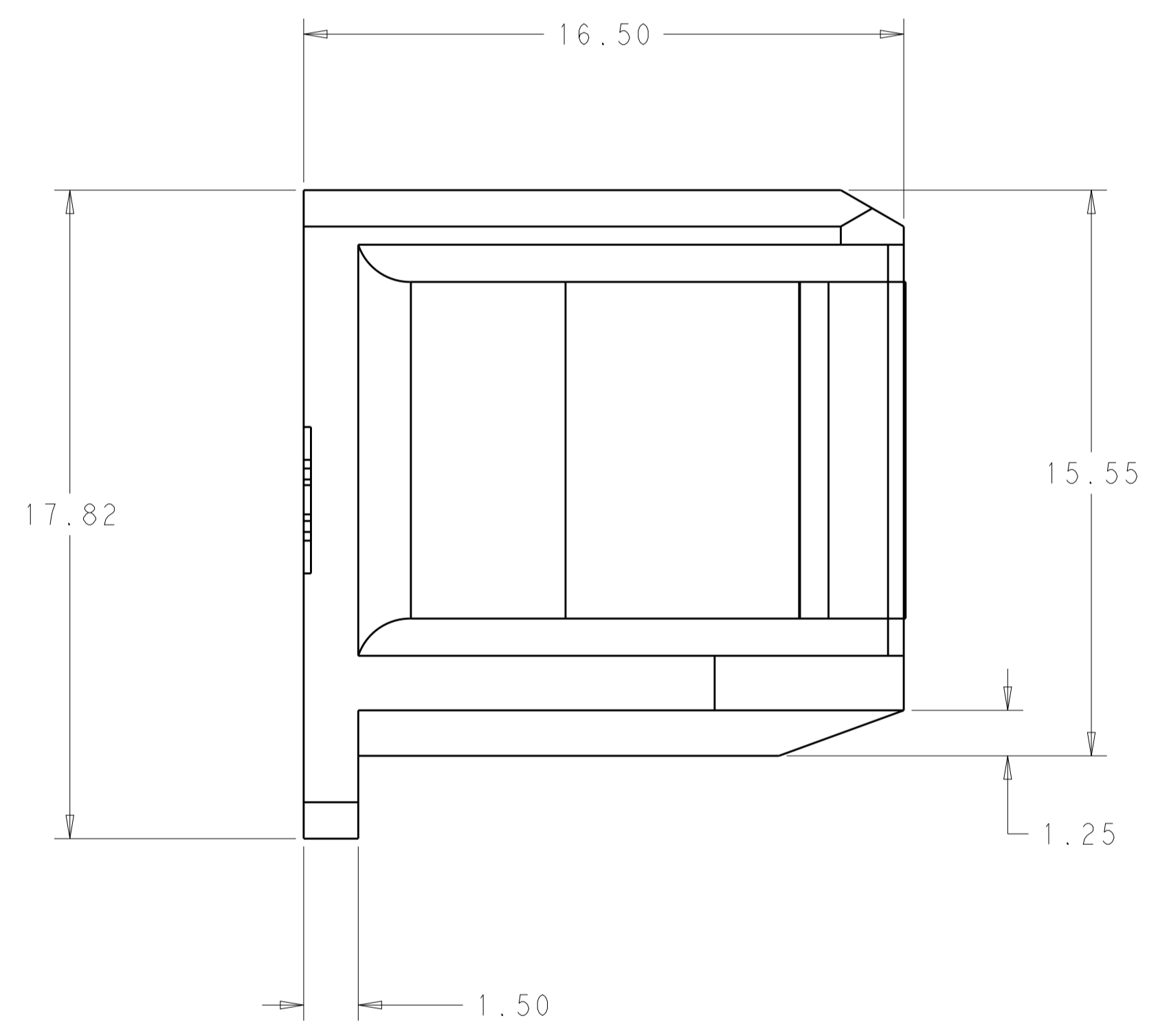
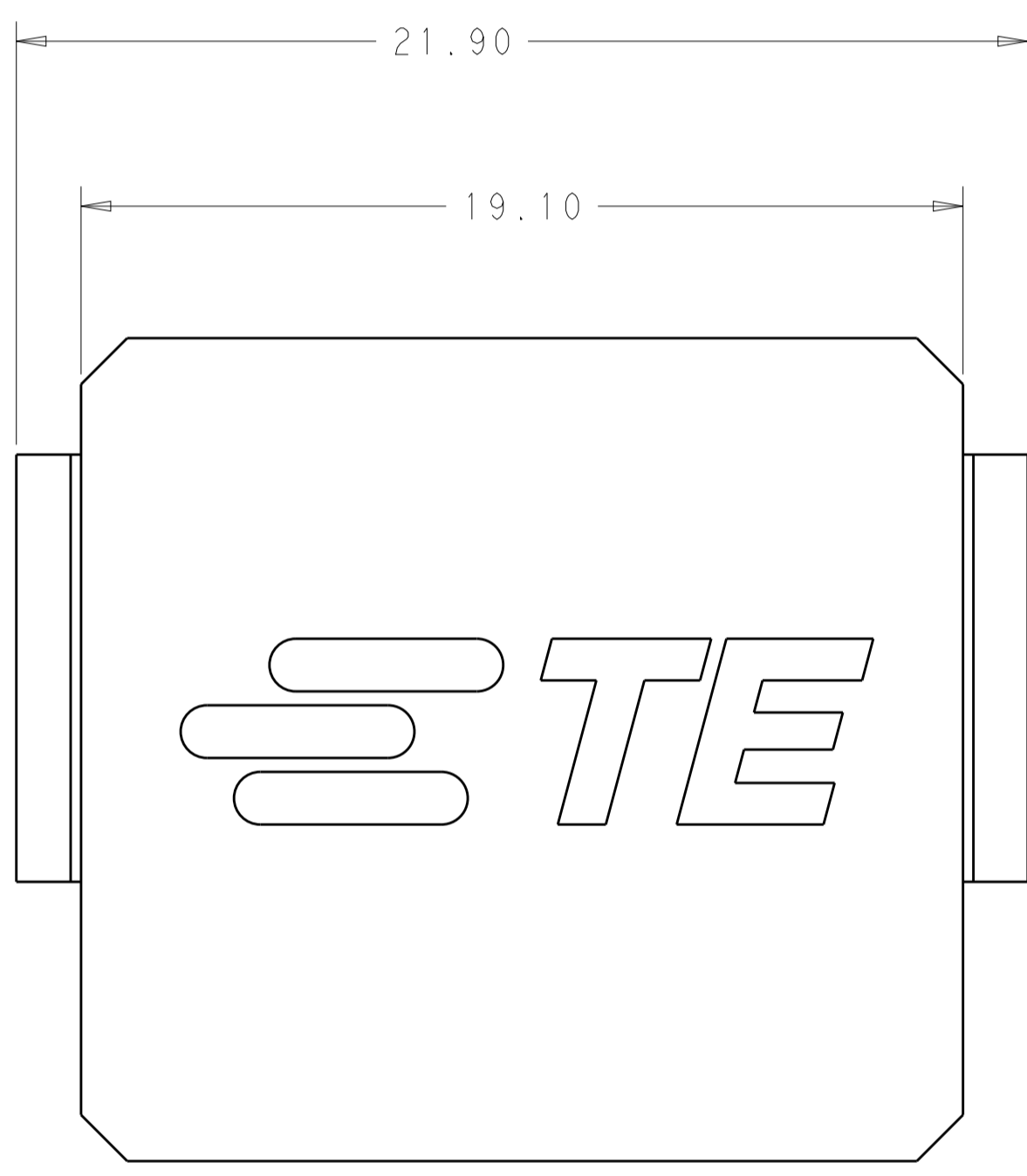
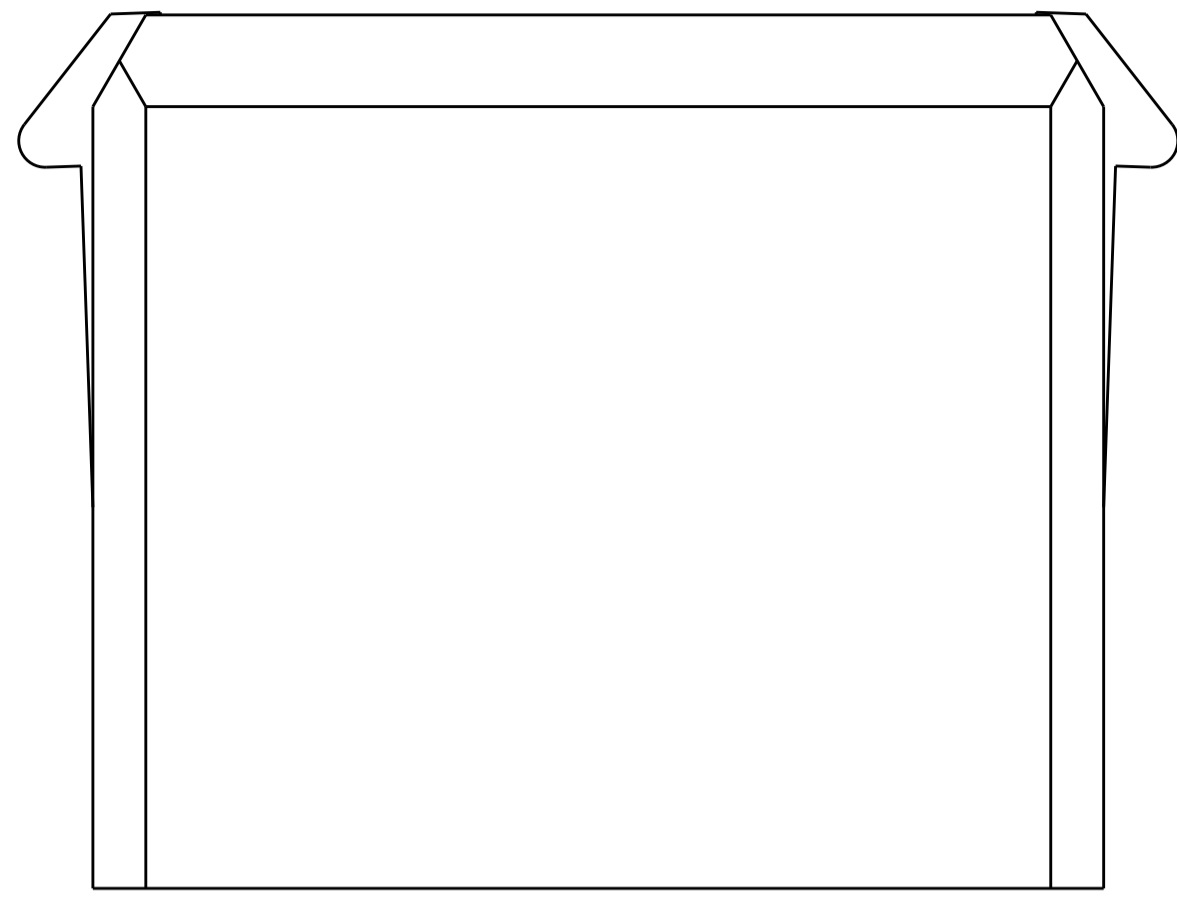
Tel: +86-755-8981 8866 Fax: +86-755-8427 6832

Email & Skype: info@chipsmall.com Web: www.chipsmall.com

Address: A1208, Overseas Decoration Building, #122 Zhenhua RD., Futian, Shenzhen, China



LOC		DIST		REVISIONS			
P	LTN	DESCRIPTION	DATE	DWN	APVD		
A		ECO-13-015101	27SEP2013	DCB	KT		
B		REVISED PER ECO-14-007808	29MAY2014	BY	KMT		



△ MATERIAL: LEXAN 500

2102449-1
PART NUMBER

THIS DRAWING IS A CONTROLLED DOCUMENT.		DWN D. BELACK	08JUL2011	STE TE Connectivity	
DIMENSIONS:		CHK K. THACKSTONS			
mm	TOLERANCES UNLESS OTHERWISE SPECIFIED:	APVD M. McALONIS		NAME BLANK MODULE, METAL SHELL LRU, RIGHT ANGLE HEADER	
0 PLC ±0.13	1 PLC ±0.10	PRODUCT SPEC	108-2474	SIZE CAGE CODE DRAWING NO RESTRICTED TO	
2 PLC ±0.10	3 PLC ±0.10	APPLICATION SPEC	408-10464	A100779C=2102449	
4 PLC ±0.10	ANGLES ±2°	WEIGHT	~ 2.92g	SCALE 7:1 SHEET 1 OF 1 REV B	
MATERIAL	FINISH	Customer Drawing			