



Chipsmall Limited consists of a professional team with an average of over 10 year of expertise in the distribution of electronic components. Based in Hongkong, we have already established firm and mutual-benefit business relationships with customers from,Europe,America and south Asia,supplying obsolete and hard-to-find components to meet their specific needs.

With the principle of "Quality Parts,Customers Priority,Honest Operation,and Considerate Service",our business mainly focus on the distribution of electronic components. Line cards we deal with include Microchip,ALPS,ROHM,Xilinx,Pulse,ON,Everlight and Freescale. Main products comprise IC,Modules,Potentiometer,IC Socket,Relay,Connector.Our parts cover such applications as commercial,industrial, and automotives areas.

We are looking forward to setting up business relationship with you and hope to provide you with the best service and solution. Let us make a better world for our industry!



Contact us

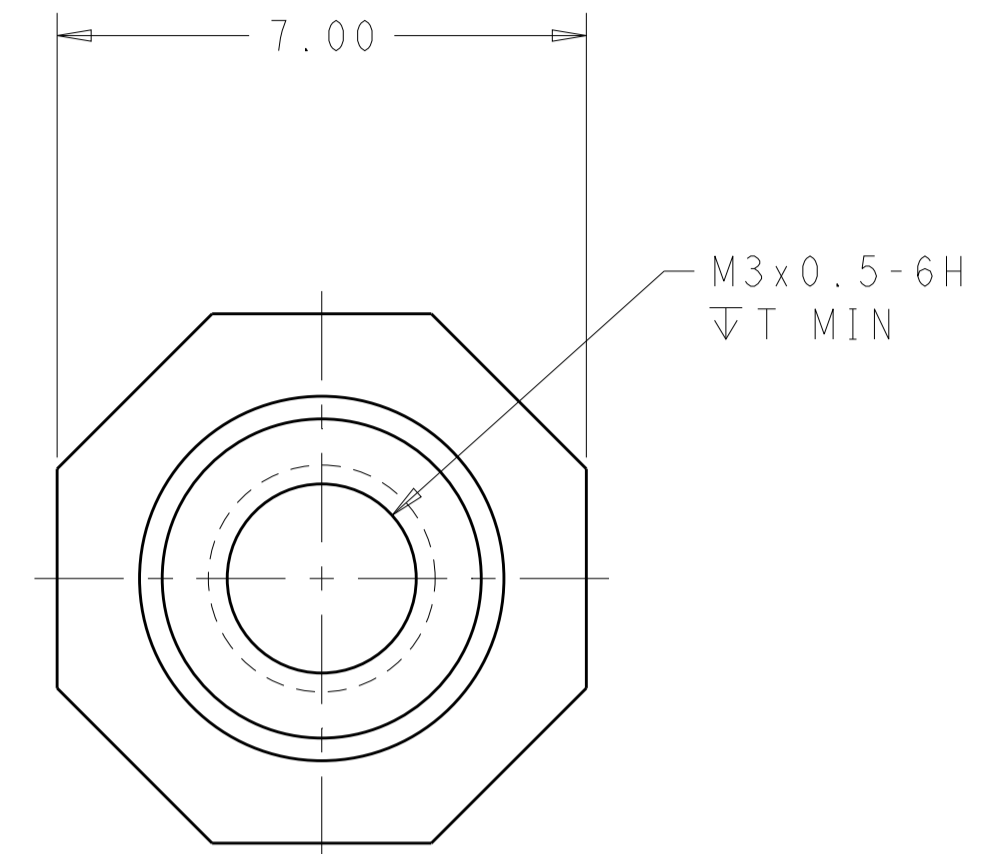
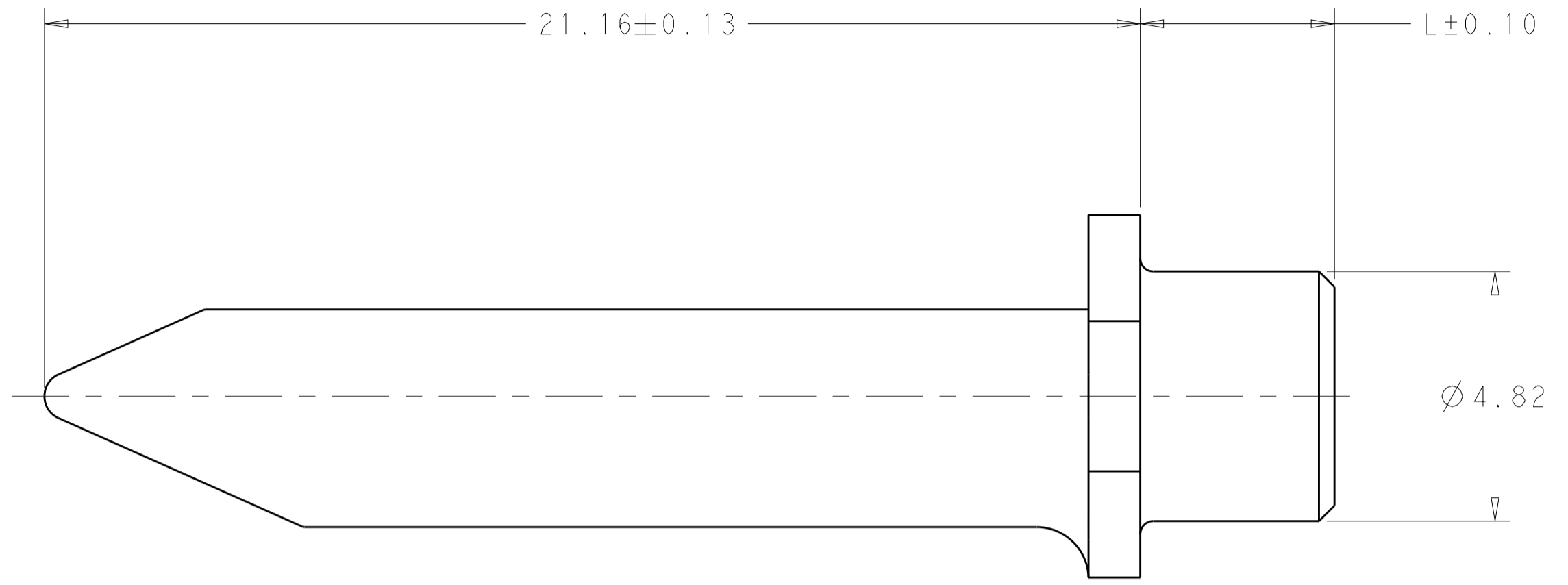
Tel: +86-755-8981 8866 Fax: +86-755-8427 6832

Email & Skype: info@chipsmall.com Web: www.chipsmall.com

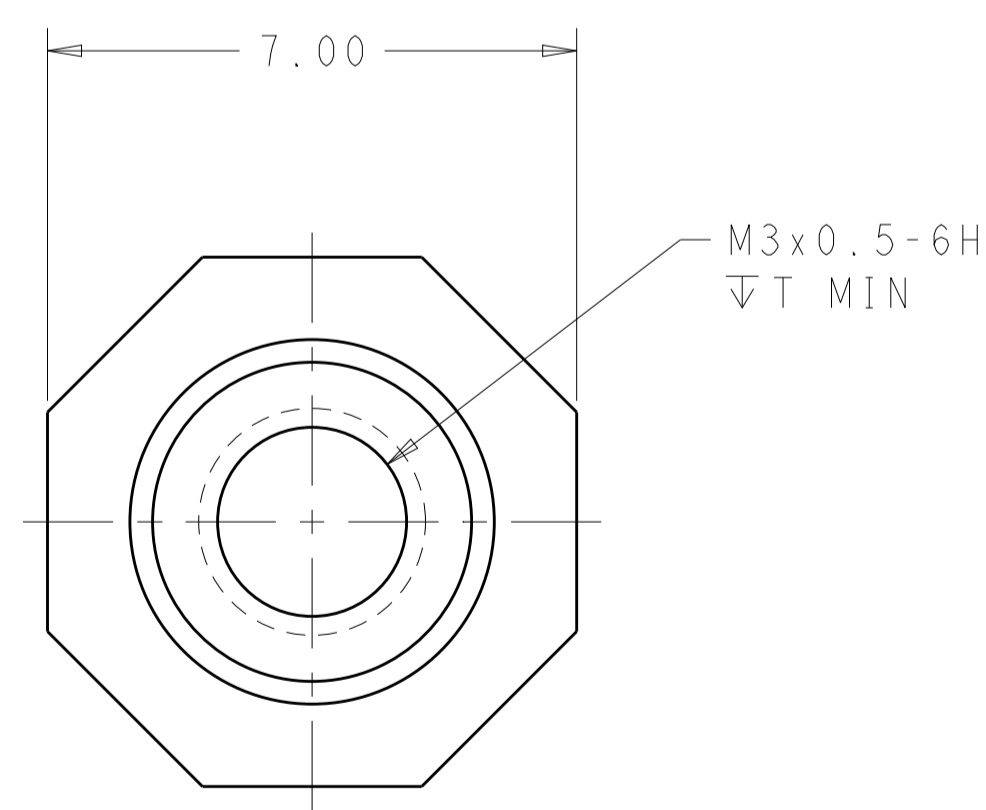
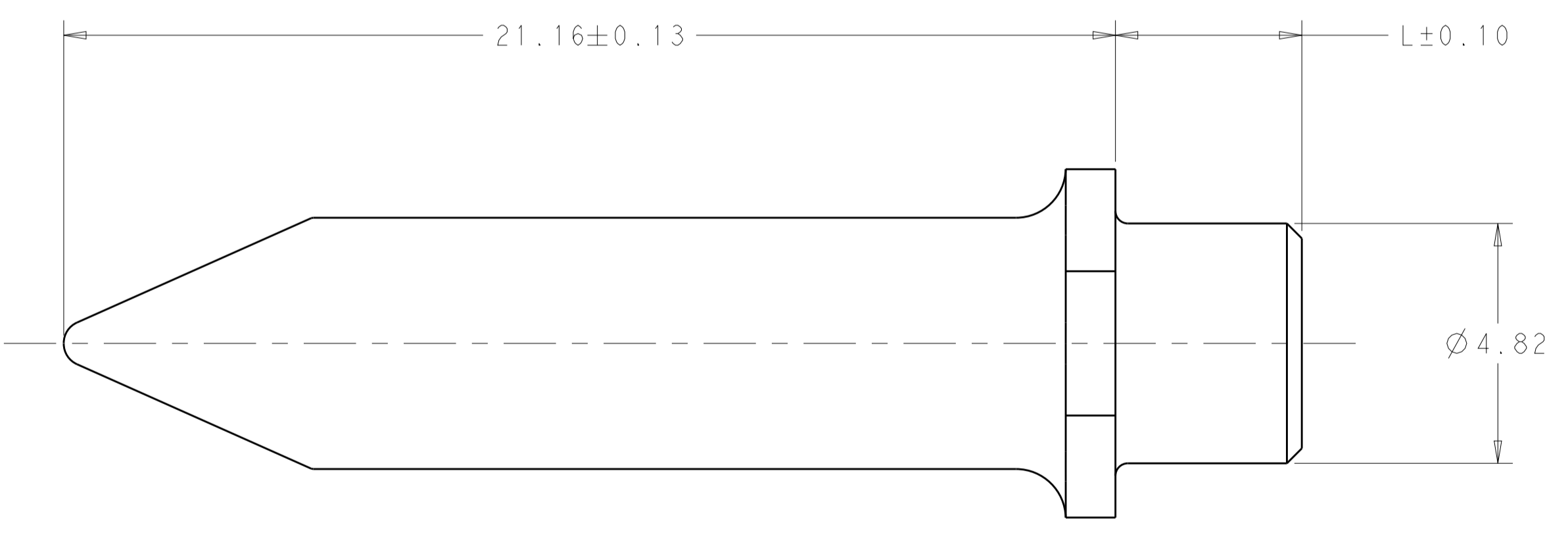
Address: A1208, Overseas Decoration Building, #122 Zhenhua RD., Futian, Shenzhen, China



REVISIONS							
LOC	DIST	P	LTN	DESCRIPTION	DATE	DWN	APVD
		A		ECO-13-015101	27SEP2013	DB	KT
		B		ECO-14-000226	08JAN2014	DB	KT
		C		REVISED PER ECO-14-007808	29MAY2014	BY	KMT



2102502-2 & 2102502-6 (KEYED)



2102502-4 & 2102502-8 (NON-KEYED)

WEIGHT	DIM "T"	DIM "L"	DESCRIPTION	PART NUMBER
3.50g	4.75	5.00	NON-KEYED	2102502-8
3.20g	4.75	5.00	KEYED	2102502-6
3.07g	3.5	3.75	NON-KEYED	2102502-4
3.36g	3.5	3.75	KEYED	2102502-2

THIS DRAWING IS A CONTROLLED DOCUMENT.		DWN D. BELACK	10FEB2012	STE TE Connectivity
DIMENSIONS: mm		CHK K. THACKSTON	APVD K. THACKSTON	
TOLERANCES UNLESS OTHERWISE SPECIFIED: 0 PLC ± 1 PLC ±0.13 2 PLC ±0.05 3 PLC ± 4 PLC ±		NAME GUIDE PIN, METAL SHELL LRU		RESTRICTED TO
ANGLES ±2°		PRODUCT SPEC 108-2474		
MATERIAL STAINLESS STEEL		APPLICATION SPEC 408-10464		SIZE A1
FINISH PASSIVATED		WEIGHT -		CAGE CODE 00779
		Customer Drawing		SCALE 10:1
				SHEET 1 OF 1
				REV C