



Chipsmall Limited consists of a professional team with an average of over 10 year of expertise in the distribution of electronic components. Based in Hongkong, we have already established firm and mutual-benefit business relationships with customers from,Europe,America and south Asia,supplying obsolete and hard-to-find components to meet their specific needs.

With the principle of “Quality Parts,Customers Priority,Honest Operation,and Considerate Service”,our business mainly focus on the distribution of electronic components. Line cards we deal with include Microchip,ALPS,ROHM,Xilinx,Pulse,ON,Everlight and Freescale. Main products comprise IC,Modules,Potentiometer,IC Socket,Relay,Connector.Our parts cover such applications as commercial,industrial, and automotives areas.

We are looking forward to setting up business relationship with you and hope to provide you with the best service and solution. Let us make a better world for our industry!



Contact us

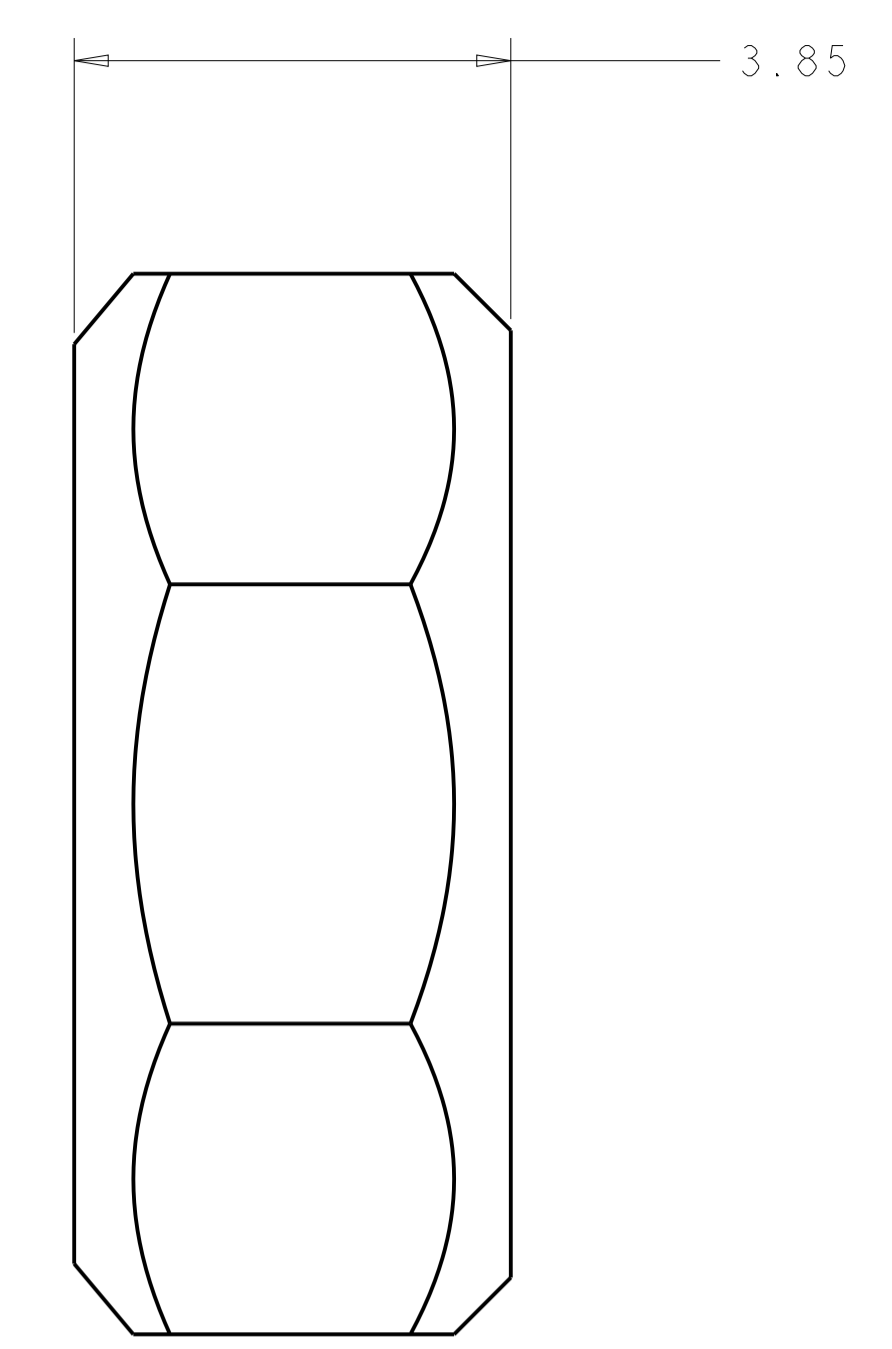
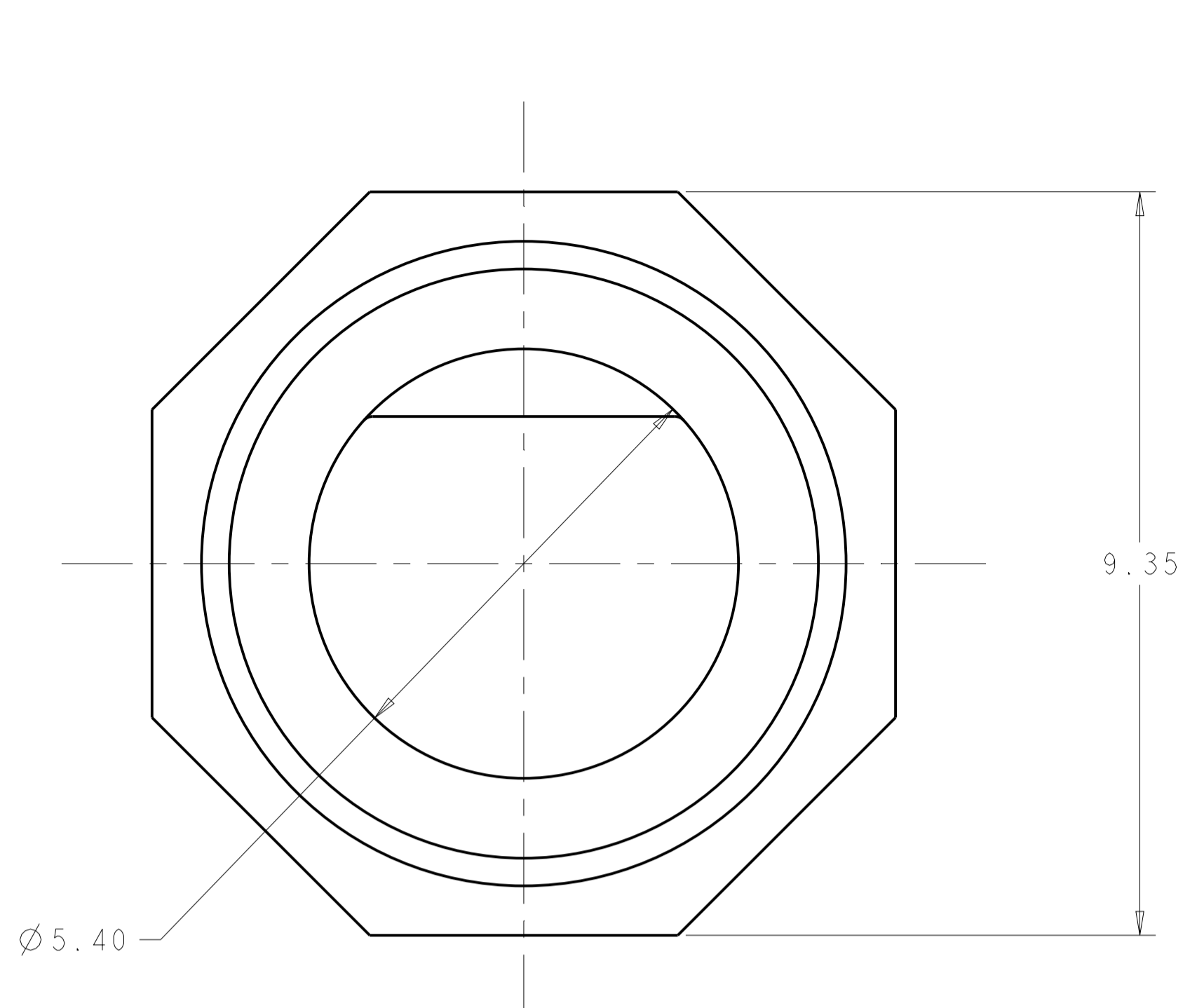
Tel: +86-755-8981 8866 Fax: +86-755-8427 6832

Email & Skype: info@chipsmall.com Web: www.chipsmall.com

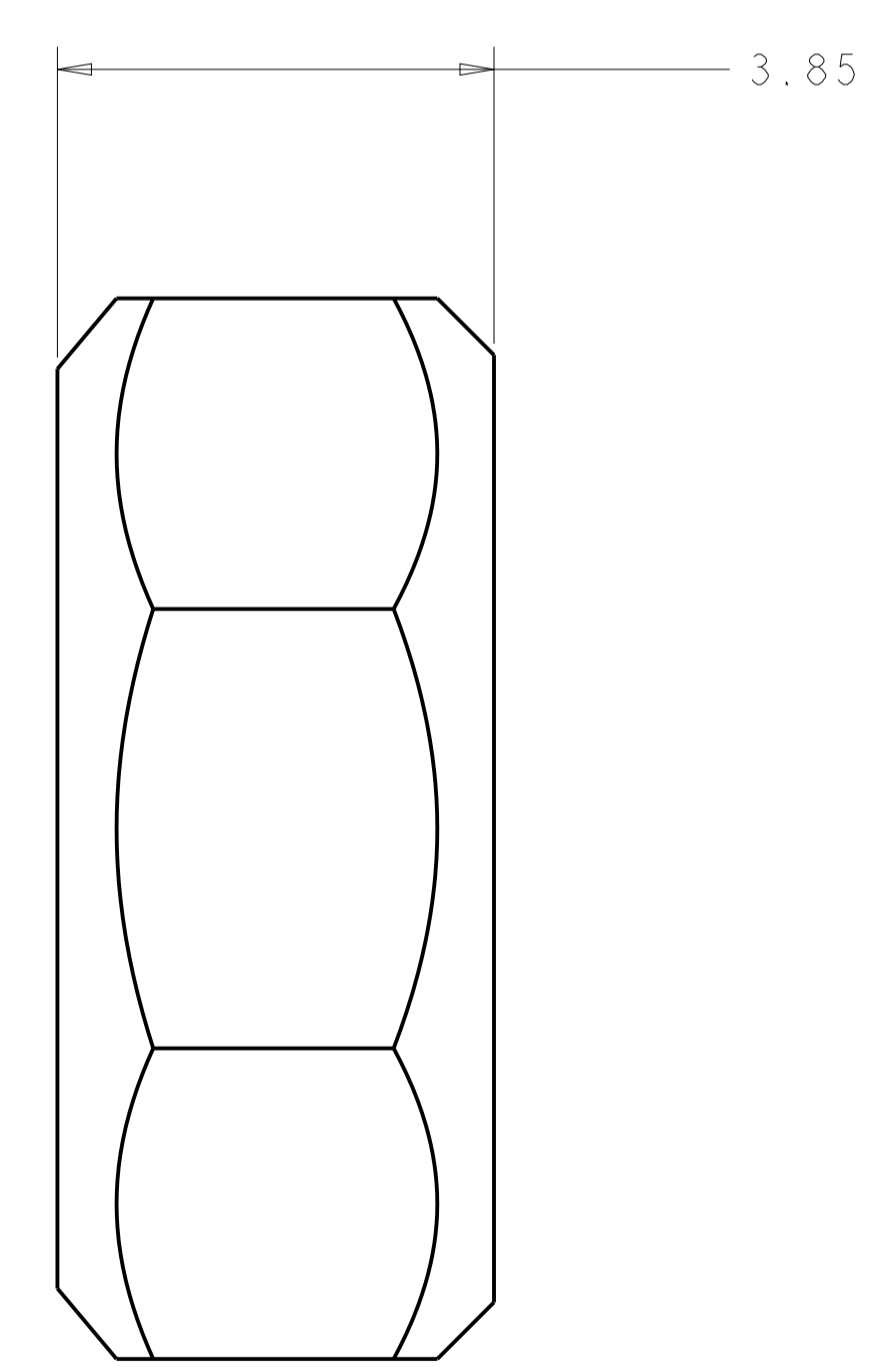
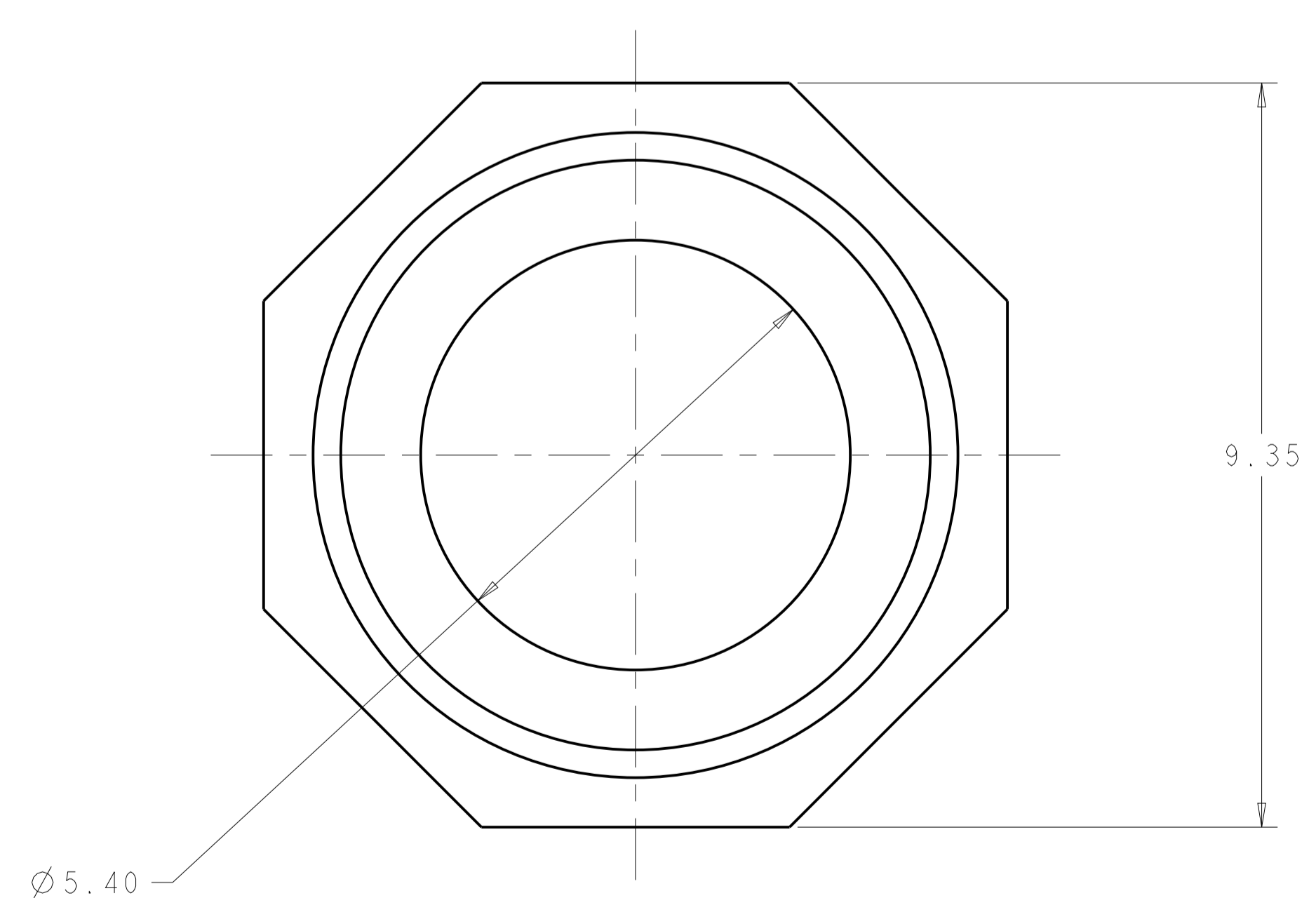
Address: A1208, Overseas Decoration Building, #122 Zhenhua RD., Futian, Shenzhen, China



LOC		DIST		REVISIONS			
P	LTN	DESCRIPTION	DATE	DWN	APVD		
A		ECO-13-015101	27SEP2013	DB	KT		
B		REVISED PER ECO-14-007808	29MAY2014	BY	KMT		



2102503-2
(KEYED)



2102503-4
(NON-KEYED)

WEIGHT	DESCRIPTION	PART NUMBER
1.25g	NON-KEYED	2102503-4
1.30g	KEYED	2102503-2

THIS DRAWING IS A CONTROLLED DOCUMENT.		DWN: D. BELACK	10FEB2012	STE TE Connectivity
DIMENSIONS: mm		CHK: K. THACKSTON	APVD: K. THACKSTON	
TOLERANCES UNLESS OTHERWISE SPECIFIED:		PRODUCT SPEC: 108-2474		NAME: FEMALE GUIDE, RECEPTACLE FORTIS Z _d METAL SHELL LRU
0 PLC ±0.13		APPLICATION SPEC: 408-10464		
1 PLC ±0.05		WEIGHT: -		SIZE: A1
2 PLC ±		FINISH: PASSIVATED		CAGE CODE: 2102503
3 PLC ±		MATERIAL: STAINLESS STEEL		RESTRICTED TO: -
4 PLC ±		Customer Drawing		SCALE: 15:1
ANGLES ±2°				SHEET: 1 of 1
				REV: B