



Chipsmall Limited consists of a professional team with an average of over 10 year of expertise in the distribution of electronic components. Based in Hongkong, we have already established firm and mutual-benefit business relationships with customers from,Europe,America and south Asia,supplying obsolete and hard-to-find components to meet their specific needs.

With the principle of “Quality Parts,Customers Priority,Honest Operation,and Considerate Service”,our business mainly focus on the distribution of electronic components. Line cards we deal with include Microchip,ALPS,ROHM,Xilinx,Pulse,ON,Everlight and Freescale. Main products comprise IC,Modules,Potentiometer,IC Socket,Relay,Connector.Our parts cover such applications as commercial,industrial, and automotives areas.

We are looking forward to setting up business relationship with you and hope to provide you with the best service and solution. Let us make a better world for our industry!



## Contact us

Tel: +86-755-8981 8866 Fax: +86-755-8427 6832

Email & Skype: info@chipsmall.com Web: www.chipsmall.com

Address: A1208, Overseas Decoration Building, #122 Zhenhua RD., Futian, Shenzhen, China

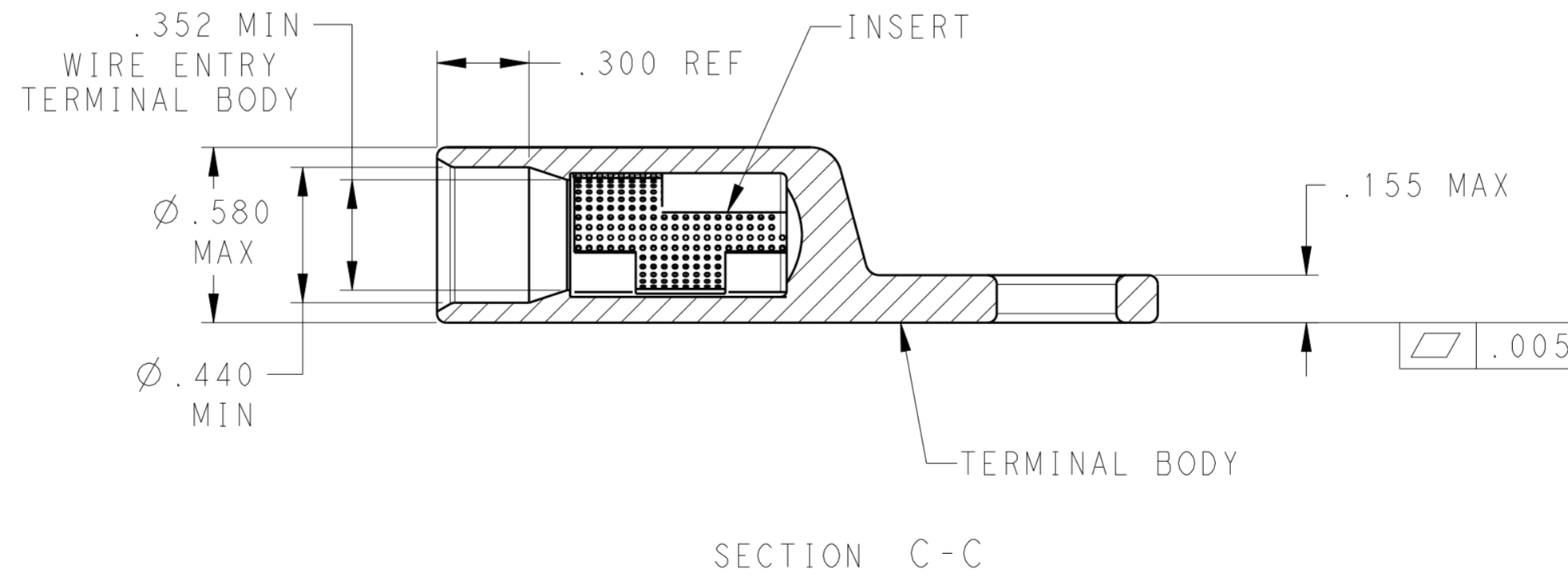
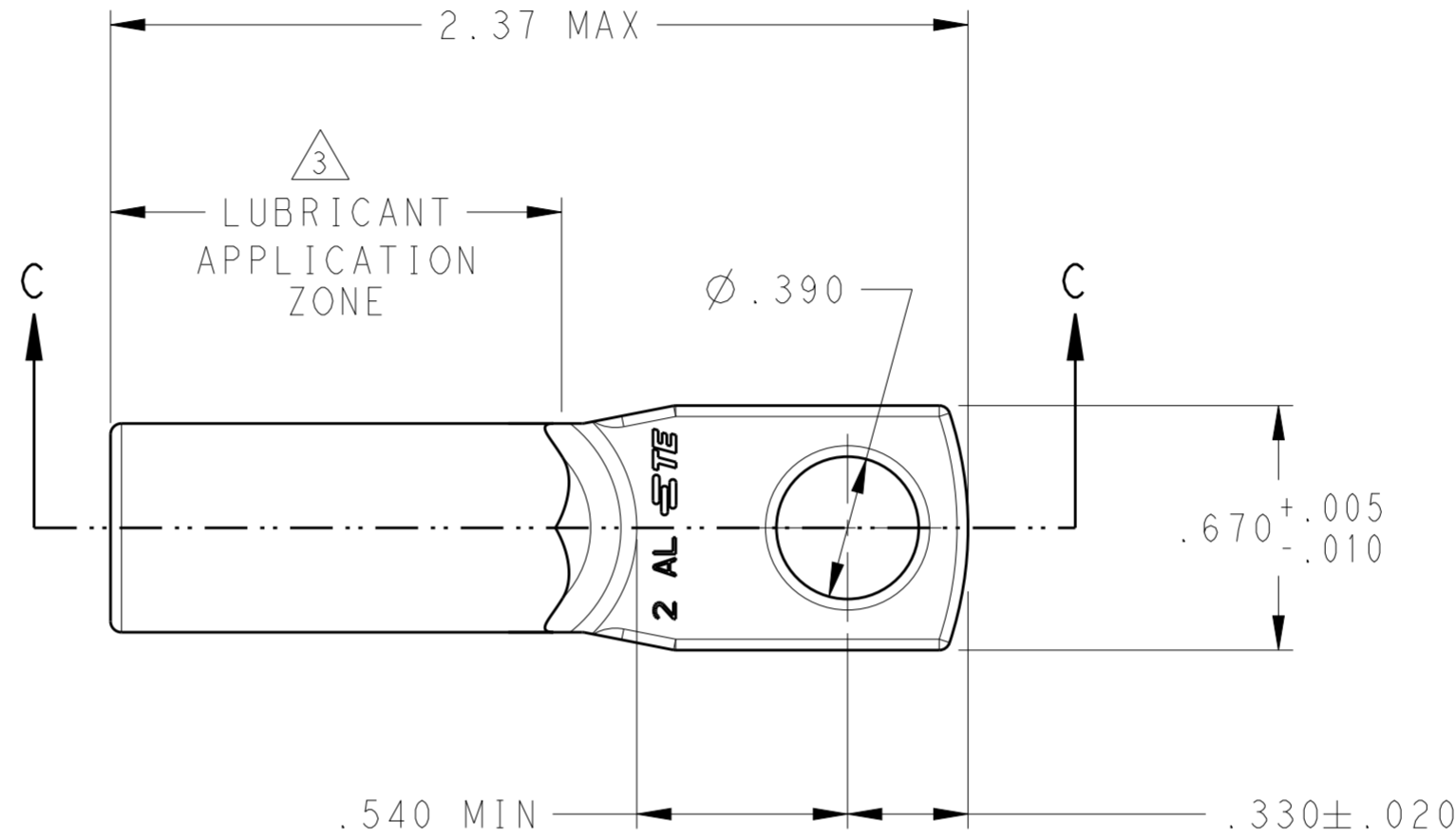
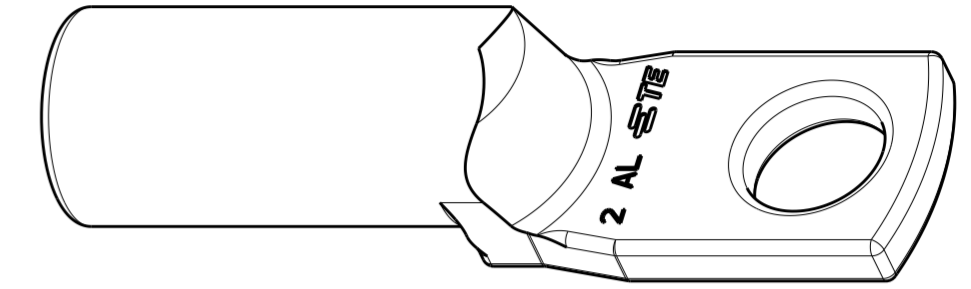


THIS DRAWING IS UNPUBLISHED. RELEASED FOR PUBLICATION  
 © COPYRIGHT - BY - ALL RIGHTS RESERVED.

LOC		DIST		REVISIONS			
P	LTR	DESCRIPTION	DATE	DWN	APVD		
-	-	A	RELEASED PER ECO 15-010930	8-18-15	CT	PD	

- MATERIAL:  
 BODY: ALUMINUM PER ASTM B317  
 INSERT: BRASS PER ASTM B36
- FINISH:  
 BODY: .000600 MIN MATTE TIN PER ASTM B545  
 OVER .000060 MIN NICKEL PER ASTM B733.  
 INSERT: .000150 MIN MATTE NICKEL PER QQ-N-290

3 PTFE DRY LUBRICANT 360 DEGREE ON OUTER DIAMETER OF CRIMP BARREL IN ZONE SHOWN.



2102571-1  
 PART NO.

THIS DRAWING IS A CONTROLLED DOCUMENT.		DWN 12MARCH2012 D. FABIAN	TE Connectivity	
DIMENSIONS: INCHES		CHK 28NOV2012 DEBOCK, KIM		
TOLERANCES UNLESS OTHERWISE SPECIFIED:		APVD 28NOV2012 DEBOCK, KIM	NAME ASSEMBLY, ALUMINUM, COPALUM, 2 AWG, STRAIGHT	
0 PLC ±. 1 PLC ±.1 2 PLC ±.02 3 PLC ±.005 4 PLC ±.0005 ANGLES ±1° FINISH		PRODUCT SPEC -	SIZE A200779	DRAWING NO C-2102571
MATERIAL SEE NOTES		APPLICATION SPEC -	RESTRICTED TO -	SCALE 2:1
SEE NOTES		WEIGHT -	SHEET 1 OF 1	REV A
		Customer Drawing		