



Chipsmall Limited consists of a professional team with an average of over 10 year of expertise in the distribution of electronic components. Based in Hongkong, we have already established firm and mutual-benefit business relationships with customers from,Europe,America and south Asia,supplying obsolete and hard-to-find components to meet their specific needs.

With the principle of “Quality Parts,Customers Priority,Honest Operation,and Considerate Service”,our business mainly focus on the distribution of electronic components. Line cards we deal with include Microchip,ALPS,ROHM,Xilinx,Pulse,ON,Everlight and Freescale. Main products comprise IC,Modules,Potentiometer,IC Socket,Relay,Connector.Our parts cover such applications as commercial,industrial, and automotives areas.

We are looking forward to setting up business relationship with you and hope to provide you with the best service and solution. Let us make a better world for our industry!



Contact us

Tel: +86-755-8981 8866 Fax: +86-755-8427 6832

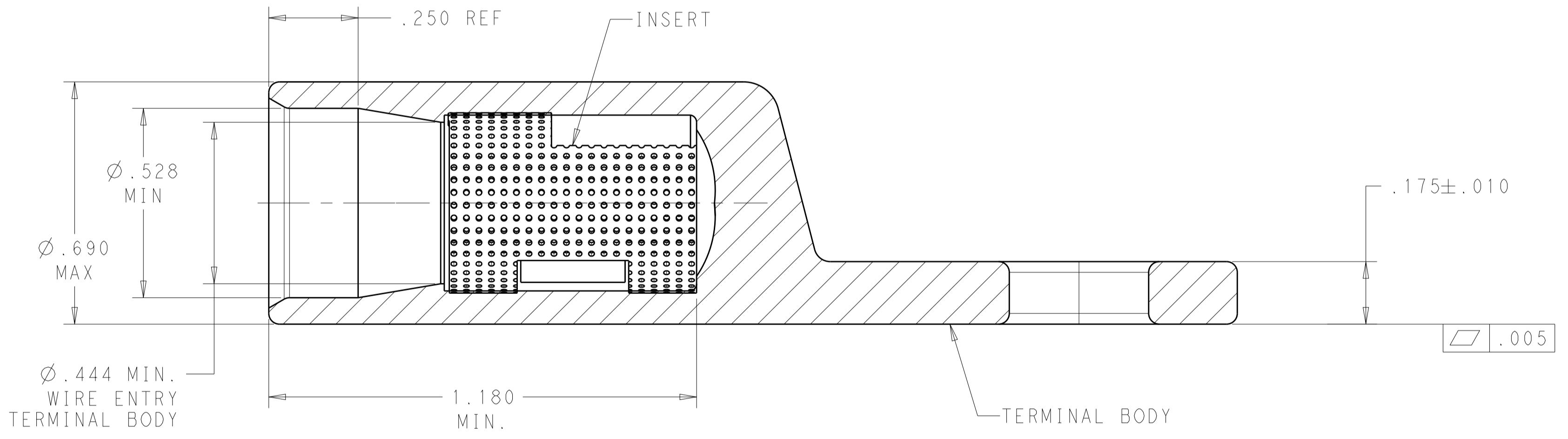
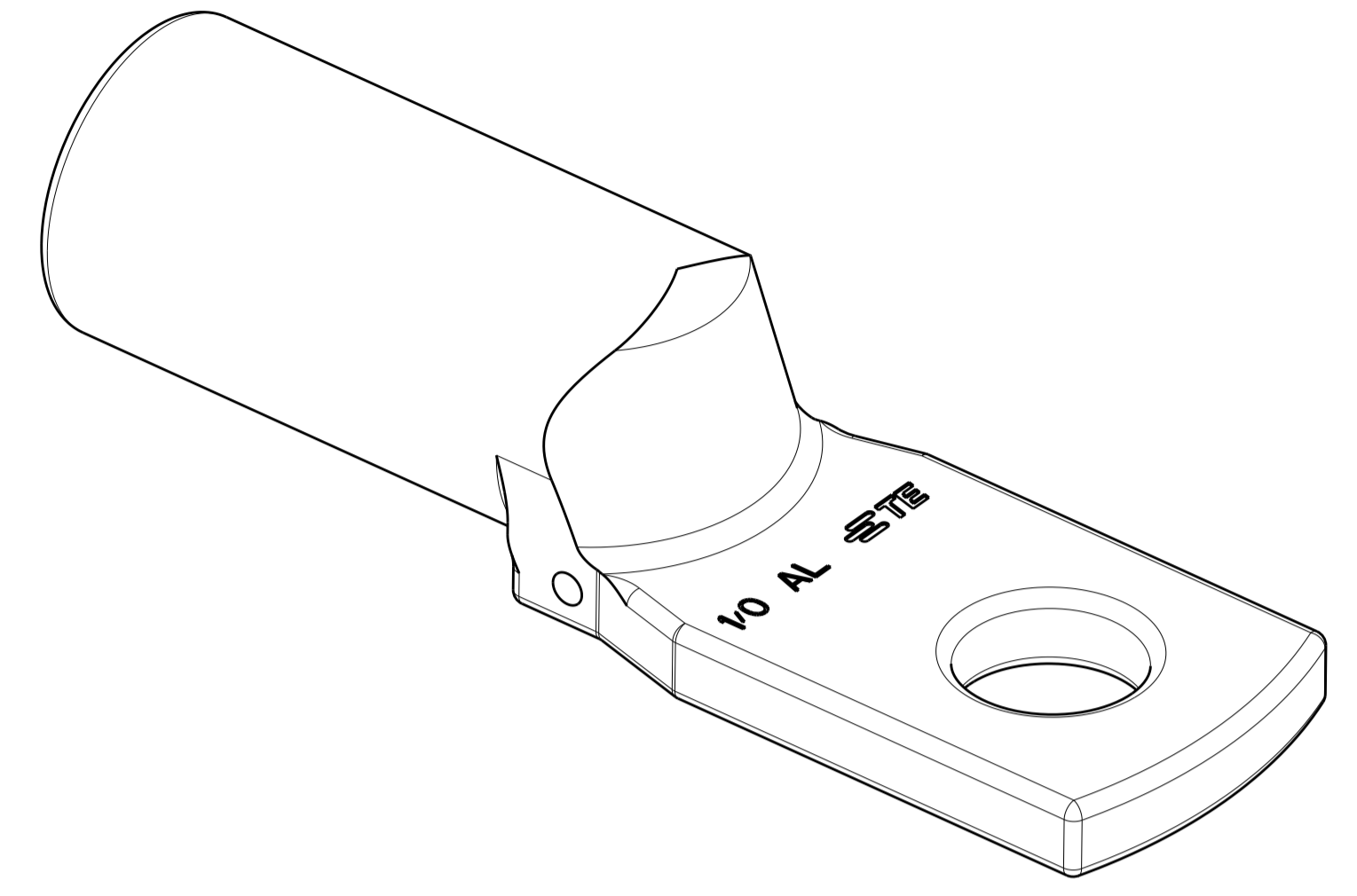
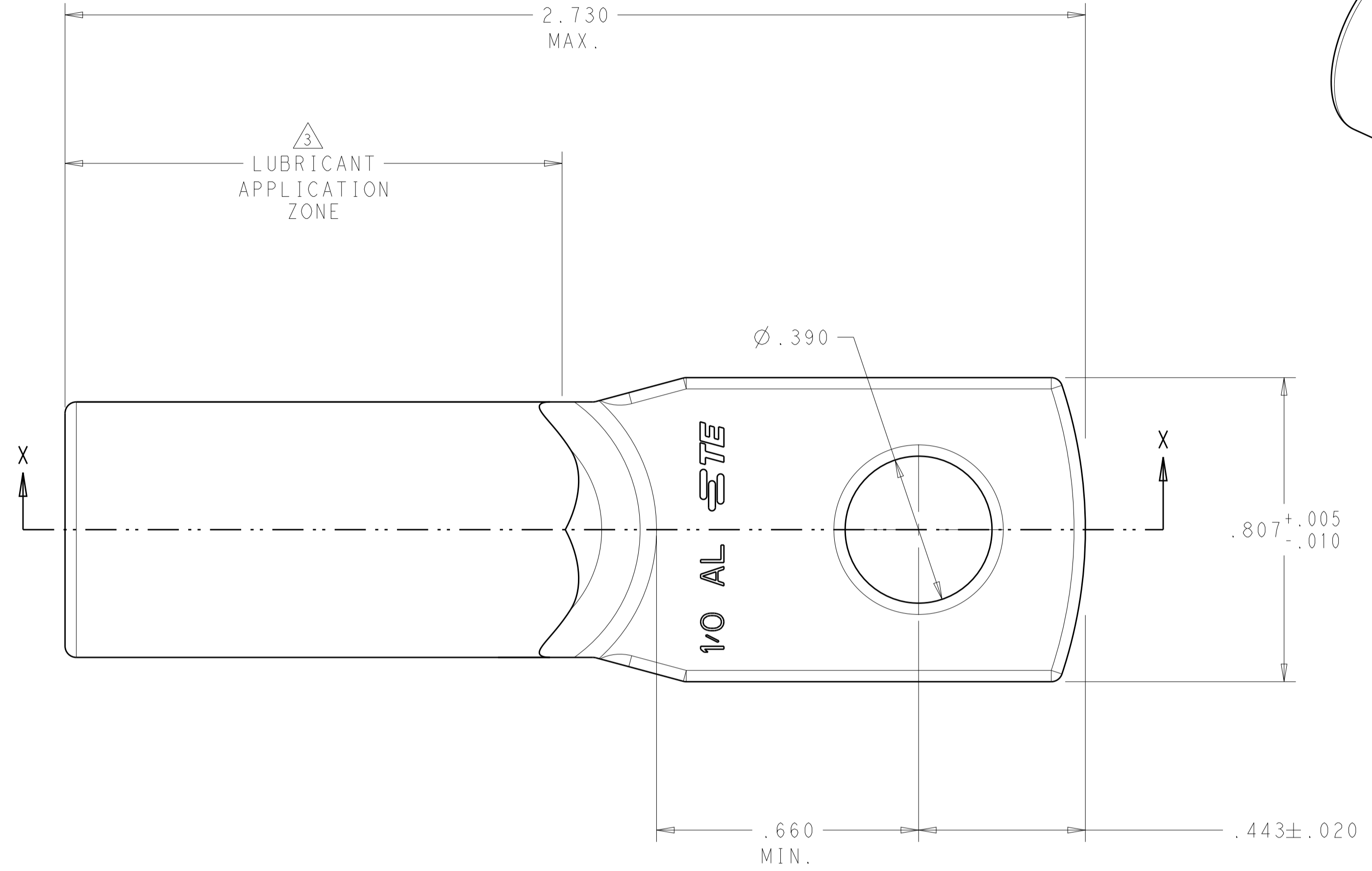
Email & Skype: info@chipsmall.com Web: www.chipsmall.com

Address: A1208, Overseas Decoration Building, #122 Zhenhua RD., Futian, Shenzhen, China



| LOC | | DIST | | REVISIONS | | | |
|-----|-----|----------------------------|---------|-----------|------|--|--|
| P | LTN | DESCRIPTION | DATE | DWN | APVD | | |
| A | | RELEASED PER ECO 15-010930 | 8-18-15 | CT | PD | | |

- MATERIAL:
 BODY: ALUMINUM PER ASTM B317
 INSERT: BRASS PER ASTM B36
- FINISH:
 BODY: .000600 MIN MATTE TIN PER ASTM B545
 OVER .000060 MIN NICKEL PER ASTM B733.
 INSERT: .000150 MIN MATTE NICKEL PER QQ-N-290
- PTFE DRY LUBRICANT 360 DEGREE ON OUTER DIAMETER OF CRIMP BARREL IN ZONE SHOWN.



SECTION X-X

2102572-1
 PART NUMBER

| | | | |
|--|---------------------|----------------------------|--|
| THIS DRAWING IS A CONTROLLED DOCUMENT. | | DWN D. FABIAN 14NOV2011 | TE Connectivity |
| DIMENSIONS: IN | | CHK DEROCK, KIM 28NOV2012 | |
| TOLERANCES UNLESS OTHERWISE SPECIFIED: | | APVD DEROCK, KIM 28NOV2012 | NAME ASSEMBLY, ALUMINUM TERMINAL, STRAIGHT, SINGLE HOLE, 170 |
| 0 PLC ±.1 | 1 PLC ±.01 | PRODUCT SPEC | SIZE CAGE CODE DRAWING NO |
| 2 PLC ±.005 | 3 PLC ±.005 | APPLICATION SPEC | RESTRICTED TO |
| 4 PLC ±.0005 | ANGLES ±.1° | FINISH SEE CALL-OUT | WEIGHT 21.22GRAMS |
| MATERIAL SEE CALL-OUT | FINISH SEE CALL-OUT | Customer Drawing | SCALE 4:1 SHEET 1 OF 1 REV A |