



Chipsmall Limited consists of a professional team with an average of over 10 year of expertise in the distribution of electronic components. Based in Hongkong, we have already established firm and mutual-benefit business relationships with customers from,Europe,America and south Asia,supplying obsolete and hard-to-find components to meet their specific needs.

With the principle of “Quality Parts,Customers Priority,Honest Operation,and Considerate Service”,our business mainly focus on the distribution of electronic components. Line cards we deal with include Microchip,ALPS,ROHM,Xilinx,Pulse,ON,Everlight and Freescale. Main products comprise IC,Modules,Potentiometer,IC Socket,Relay,Connector.Our parts cover such applications as commercial,industrial, and automotives areas.

We are looking forward to setting up business relationship with you and hope to provide you with the best service and solution. Let us make a better world for our industry!



Contact us

Tel: +86-755-8981 8866 Fax: +86-755-8427 6832

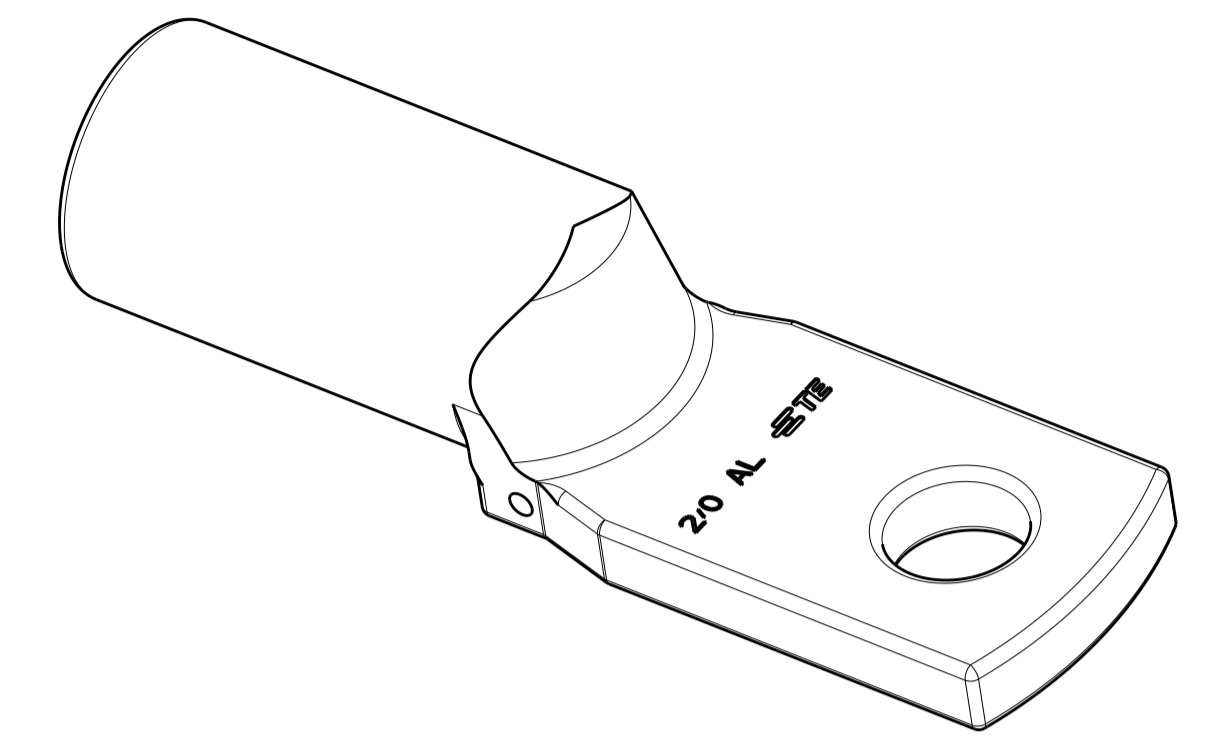
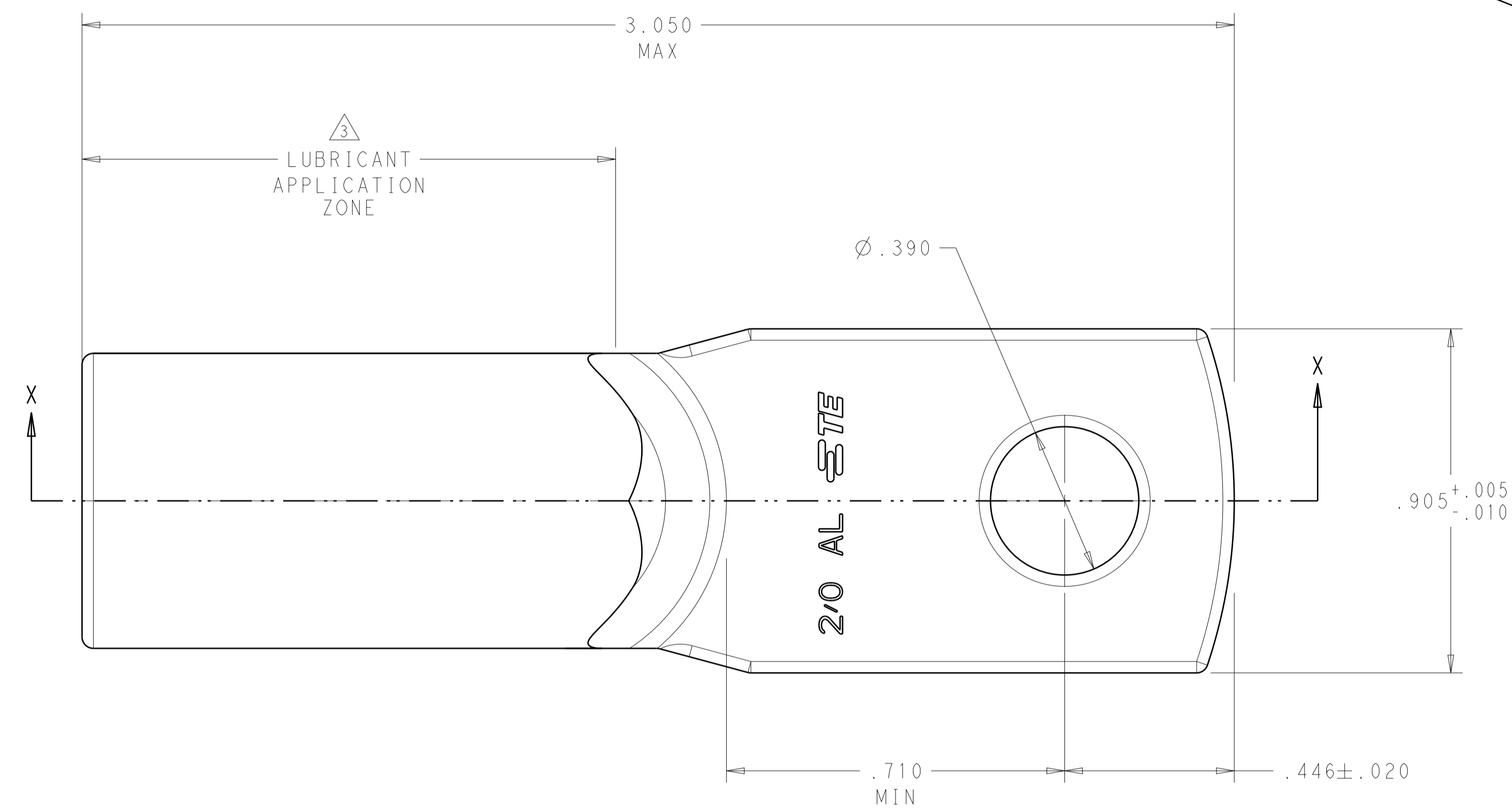
Email & Skype: info@chipsmall.com Web: www.chipsmall.com

Address: A1208, Overseas Decoration Building, #122 Zhenhua RD., Futian, Shenzhen, China

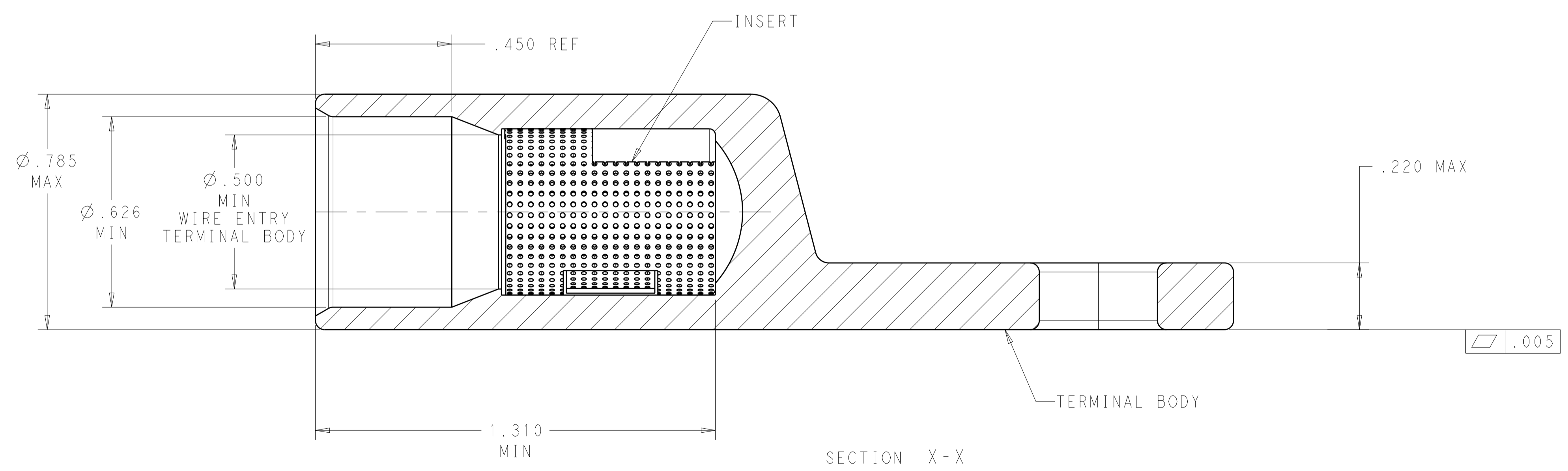


LOC		DIST		REVISIONS			
P	LTN	DESCRIPTION	DATE	DWN	APVD		
A		REV PER ECO 15-010930	8-18-15	CT	PD		

- MATERIAL:
 BODY: ALUMINUM PER ASTM B317
 INSERT: BRASS PER ASTM B36
- FINISH:
 BODY: .000600 MIN MATTE TIN PER ASTM B545
 OVER .000060 MIN NICKEL PER ASTM B733.
 INSERT: .000150 MIN MATTE NICKEL PER QQ-N-290
- PTFE DRY LUBRICANT 360 DEGREE ON OUTER DIAMETER OF CRIMP BARREL IN ZONE SHOWN.



SCALE 2:1



2102573-1
 PART NUMBER

THIS DRAWING IS A CONTROLLED DOCUMENT.		DWN: D. FABIAN 15NOV2011	TE Connectivity	
DIMENSIONS: IN		CHK: DEROCK, KIM 28NOV2012	NAME: ASSEMBLY, ALUMINUM TERMINAL, STRAIGHT, SINGLE HOLE, 270	
0 PLC ±.1 1 PLC ±.1 2 PLC ±.01 3 PLC ±.005 4 PLC ±.0005 ANGLES ±1°		APVD: DEROCK, KIM 28NOV2012	SIZE: CAGE CODE DRAWING NO: A100779C=2102573	
MATERIAL: SEE CALL-OUT		FINISH: SEE CALL-OUT	WEIGHT: -	RESTRICTED TO: -
		Customer Drawing	SCALE: 4:1	SHEET 1 OF 1 REV A