



Chipsmall Limited consists of a professional team with an average of over 10 year of expertise in the distribution of electronic components. Based in Hongkong, we have already established firm and mutual-benefit business relationships with customers from,Europe,America and south Asia,supplying obsolete and hard-to-find components to meet their specific needs.

With the principle of “Quality Parts,Customers Priority,Honest Operation,and Considerate Service”,our business mainly focus on the distribution of electronic components. Line cards we deal with include Microchip,ALPS,ROHM,Xilinx,Pulse,ON,Everlight and Freescale. Main products comprise IC,Modules,Potentiometer,IC Socket,Relay,Connector.Our parts cover such applications as commercial,industrial, and automotives areas.

We are looking forward to setting up business relationship with you and hope to provide you with the best service and solution. Let us make a better world for our industry!



Contact us

Tel: +86-755-8981 8866 Fax: +86-755-8427 6832

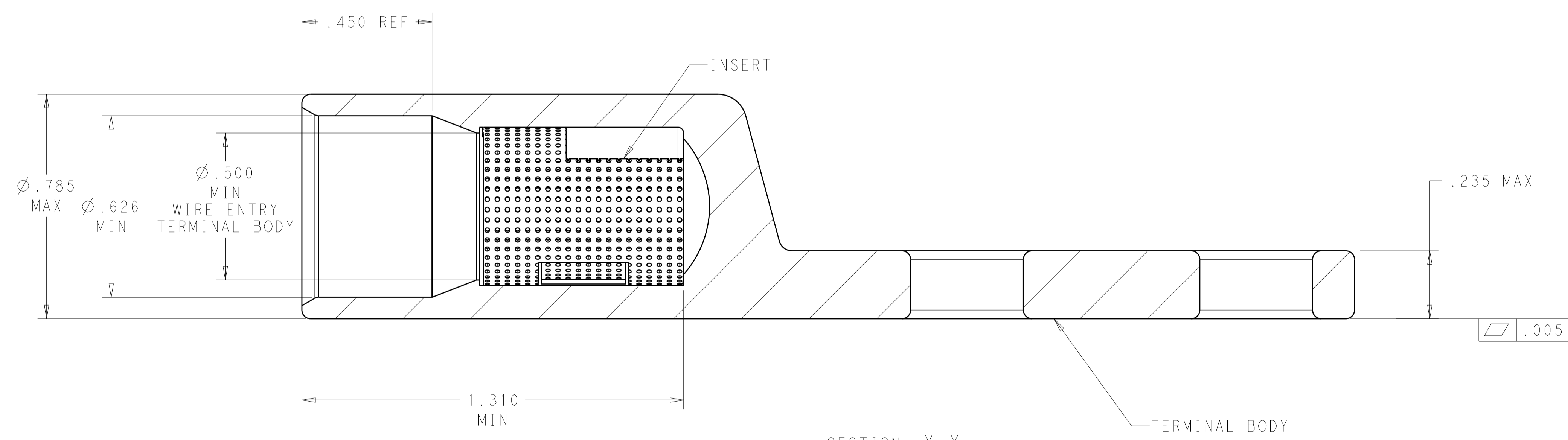
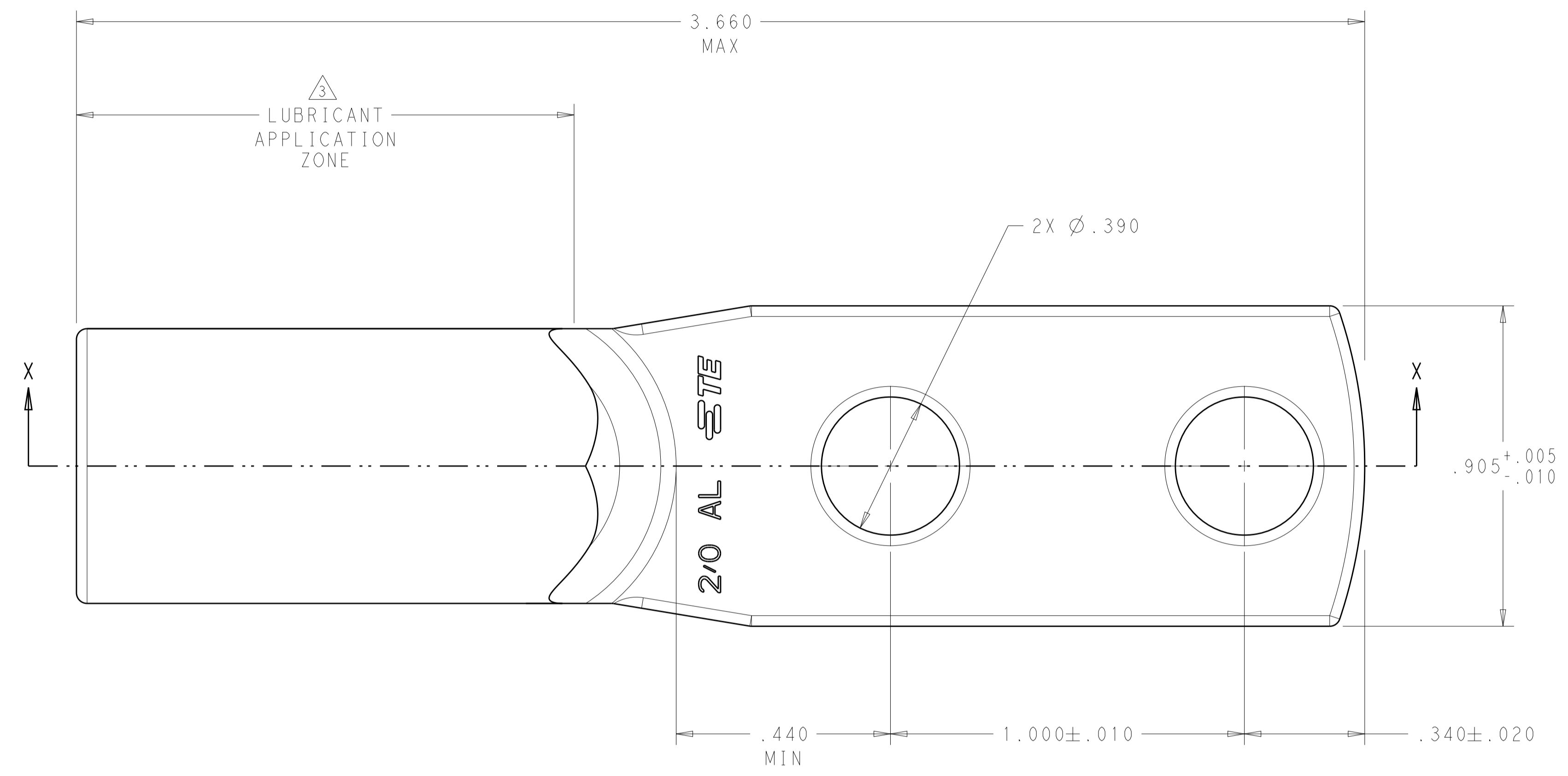
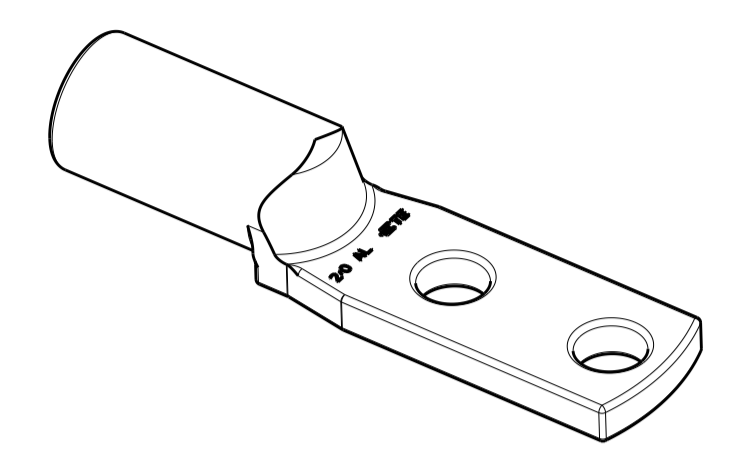
Email & Skype: info@chipsmall.com Web: www.chipsmall.com

Address: A1208, Overseas Decoration Building, #122 Zhenhua RD., Futian, Shenzhen, China



LOC	DIST	REV	DATE	BY	APVD
-	-	A	07APR2014	KAD	
-	-	B	06APR2015	DLB	KAD

- MATERIAL:
 BODY: ALUMINUM PER ASTM B317
 INSERT: BRASS PER ASTM B36
 - FINISH:
 BODY: .000600 MIN MATTE TIN PER ASTM B545
 OVER .000060 MIN NICKEL PER ASTM B733.
 INSERT: .000150 MIN MATTE NICKEL PER QQ-N-290
- ⚠ PTFE DRY LUBRICANT 360 DEGREE ON OUTER DIAMETER OF CRIMP BARREL IN ZONE SHOWN.



2102581-1
 PART NO.

THIS DRAWING IS A CONTROLLED DOCUMENT.		OWN: Brent D. Yolin CHK: K.A. DeBock APVD: K.A. DeBock	DATE: 07APR2014	TE Connectivity	
DIMENSIONS: IN		TOLERANCES UNLESS OTHERWISE SPECIFIED:	PRODUCT SPEC	NAME: TERMINAL ASSEMBLY ALUMINUM, STRAIGHT, DUAL HOLE SIZE 2/0	
0 PLC ±.1 1 PLC ±.01 2 PLC ±.005 3 PLC ±.0005 4 PLC ±.0005 ANGLES ±.1		FINISH: SEE CALL-OUT	APPLICATION SPEC	SIZE: A1	CAGE CODE: 100779
MATERIAL: SEE CALL-OUT		WEIGHT: 36.03GRAMS	Customer Drawing	SCALE: 4:1	SHEET 1 OF 1 REV B