



Chipsmall Limited consists of a professional team with an average of over 10 year of expertise in the distribution of electronic components. Based in Hongkong, we have already established firm and mutual-benefit business relationships with customers from,Europe,America and south Asia,supplying obsolete and hard-to-find components to meet their specific needs.

With the principle of “Quality Parts,Customers Priority,Honest Operation,and Considerate Service”,our business mainly focus on the distribution of electronic components. Line cards we deal with include Microchip,ALPS,ROHM,Xilinx,Pulse,ON,Everlight and Freescale. Main products comprise IC,Modules,Potentiometer,IC Socket,Relay,Connector.Our parts cover such applications as commercial,industrial, and automotives areas.

We are looking forward to setting up business relationship with you and hope to provide you with the best service and solution. Let us make a better world for our industry!



Contact us

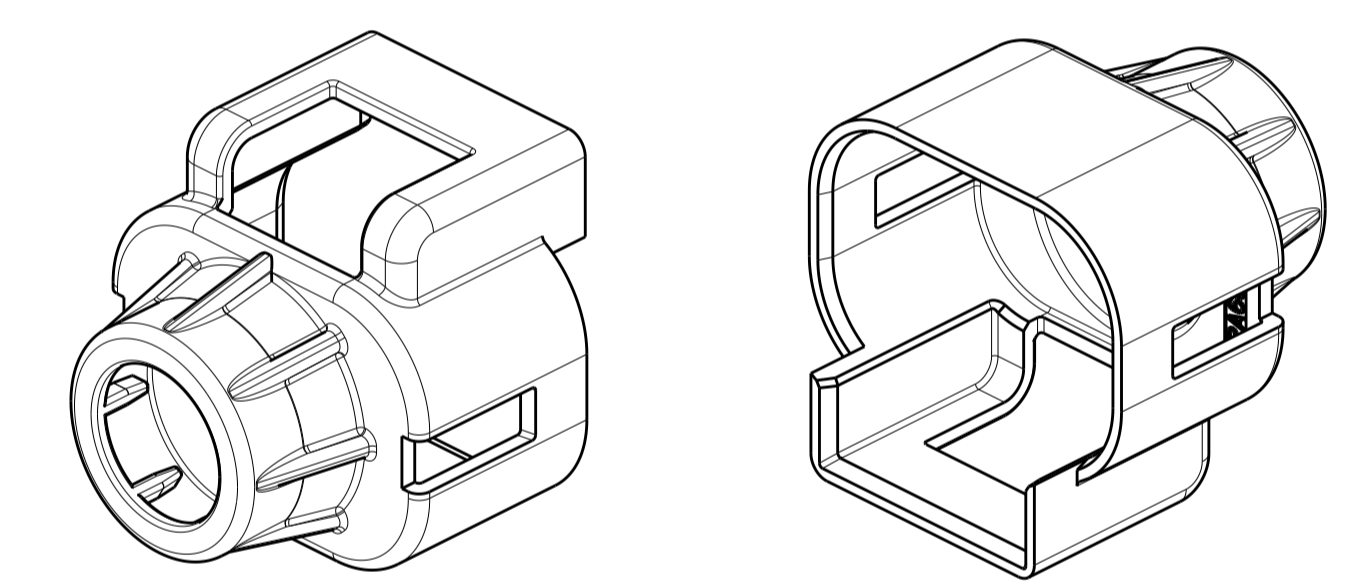
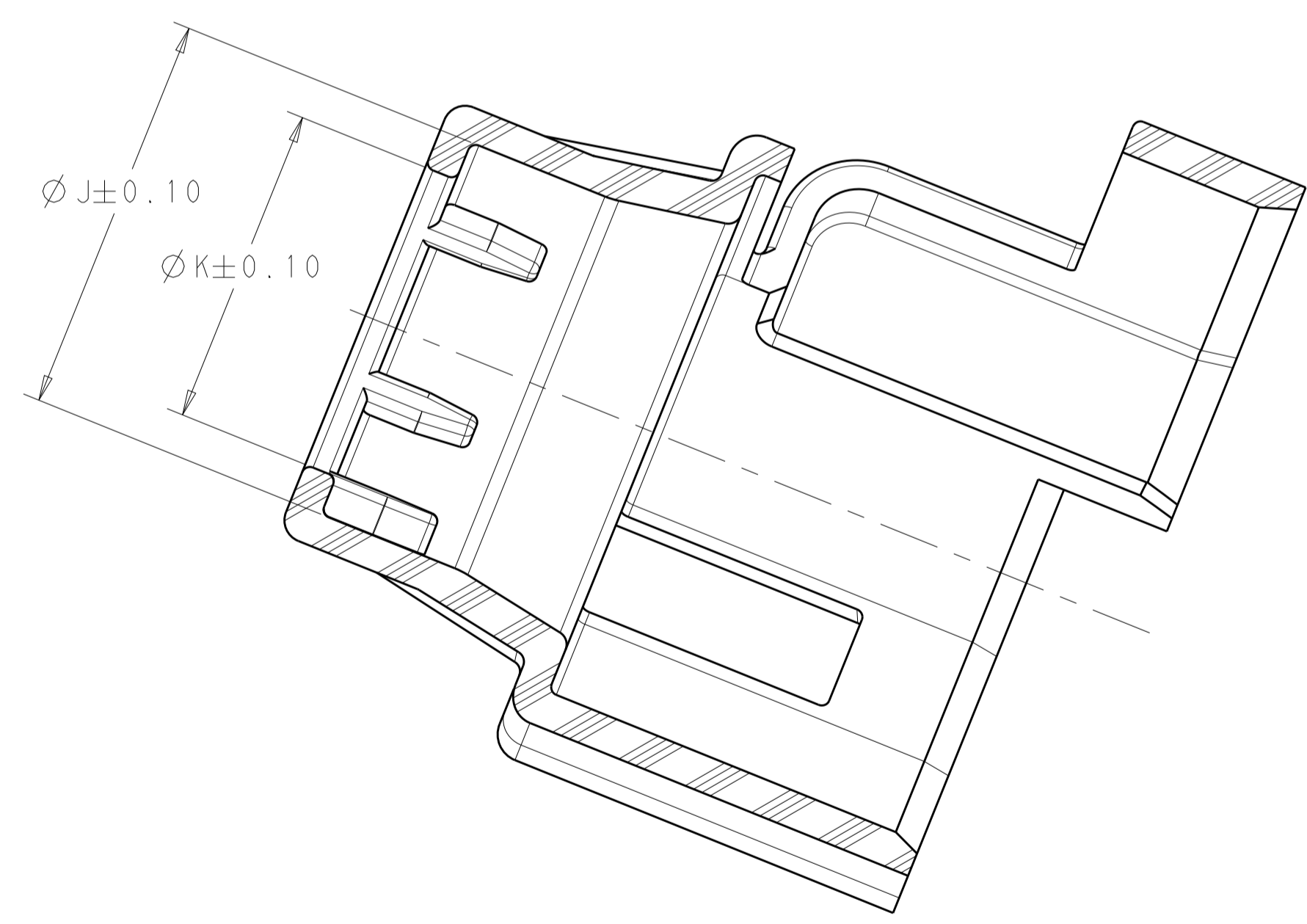
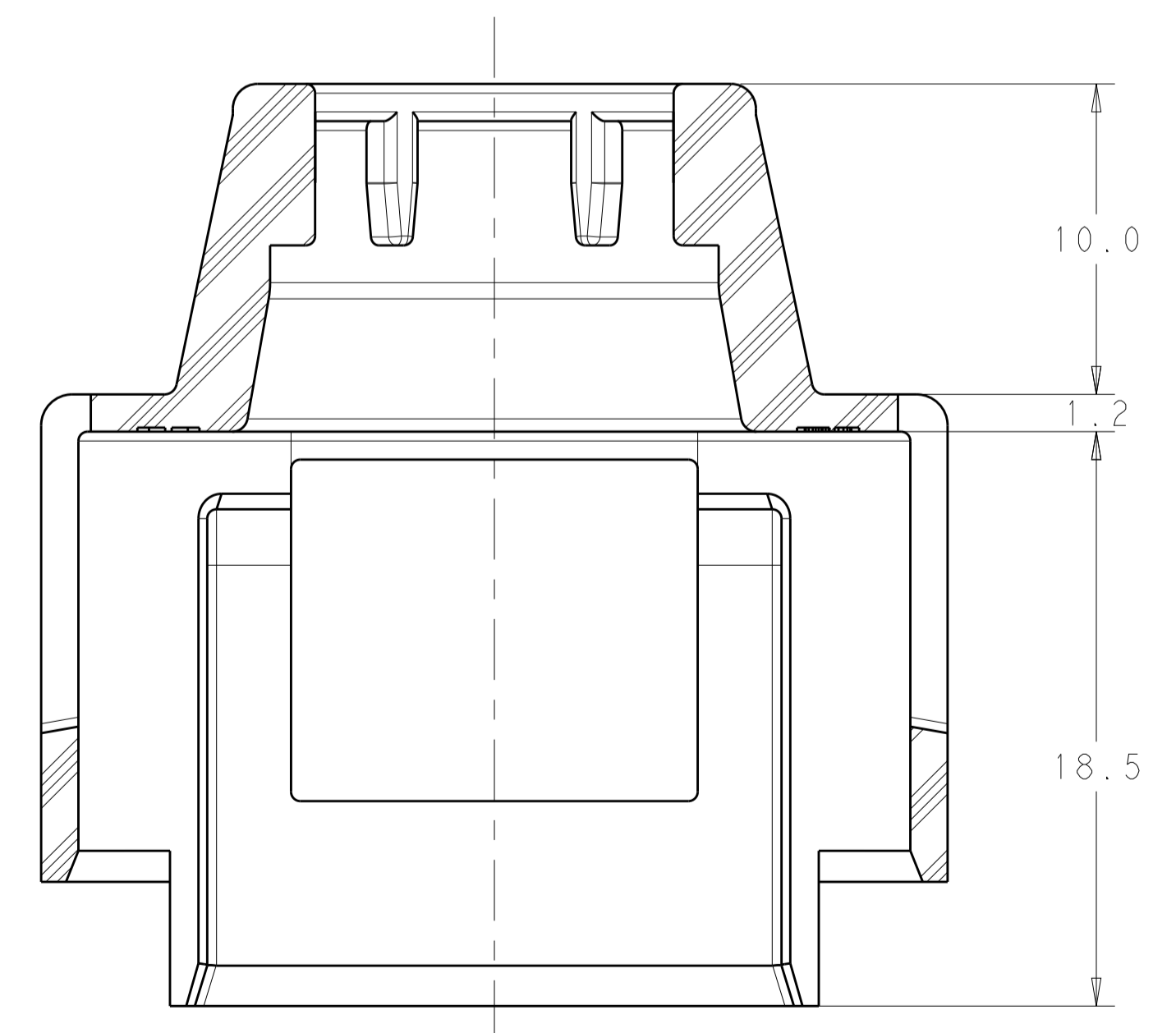
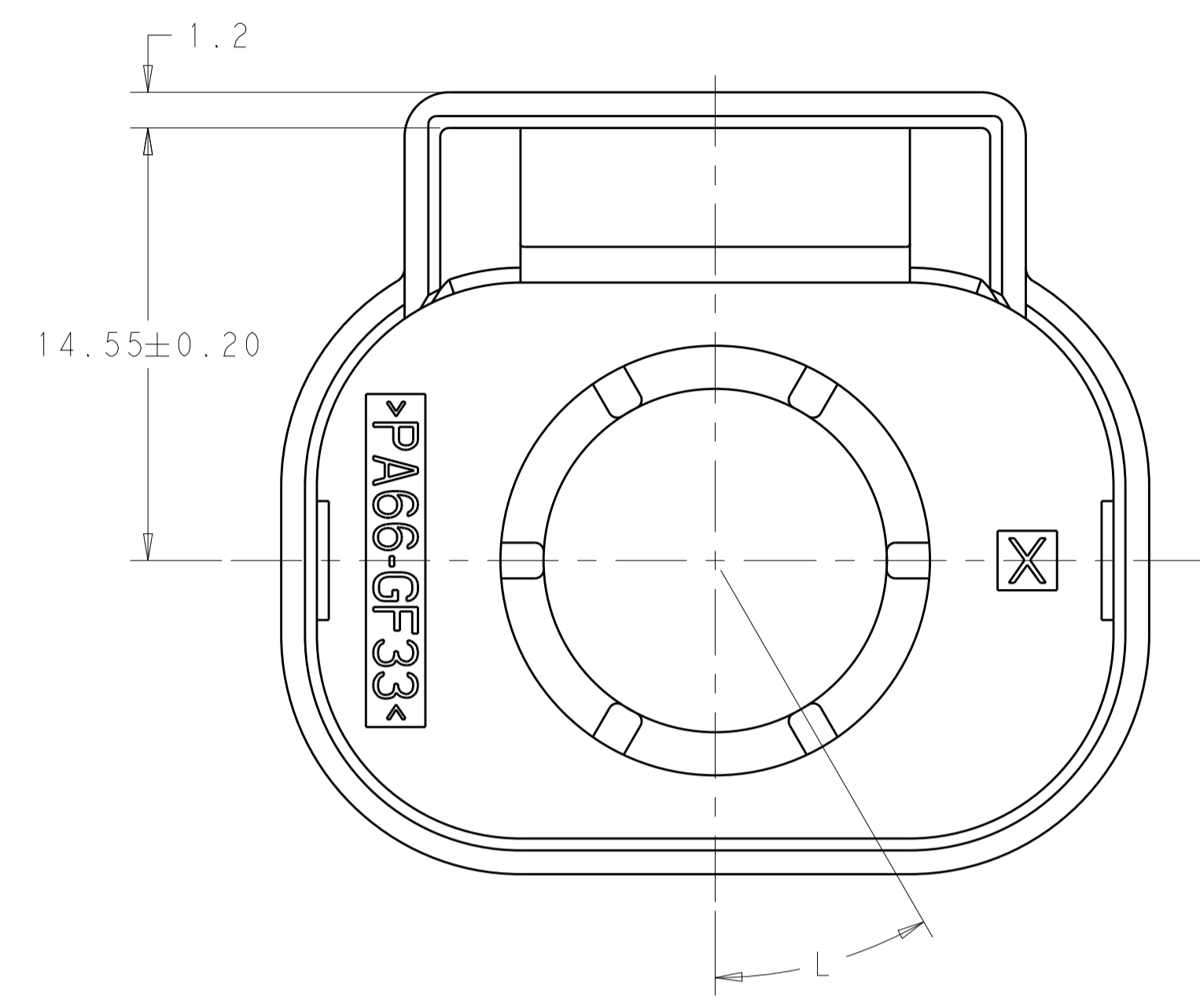
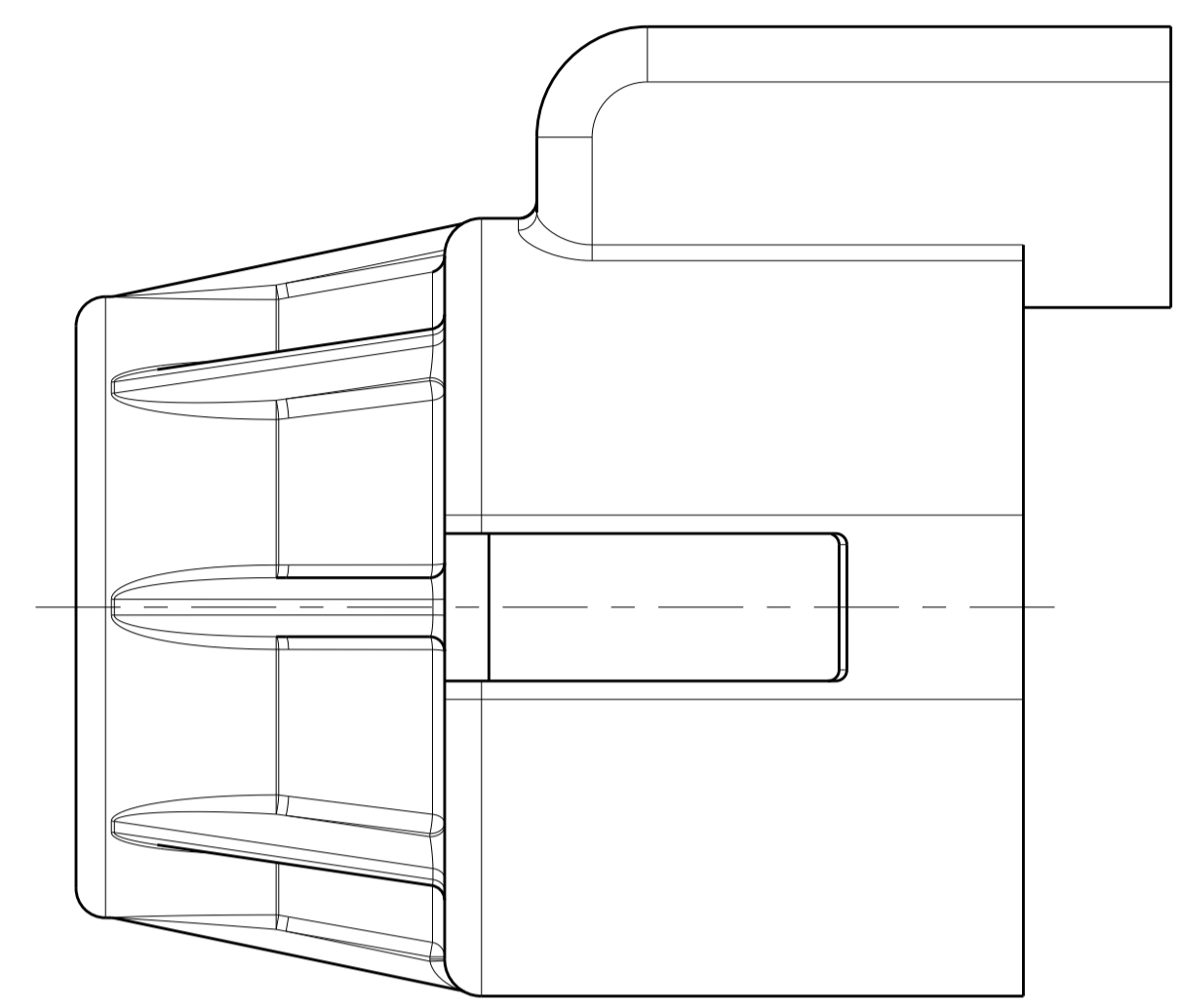
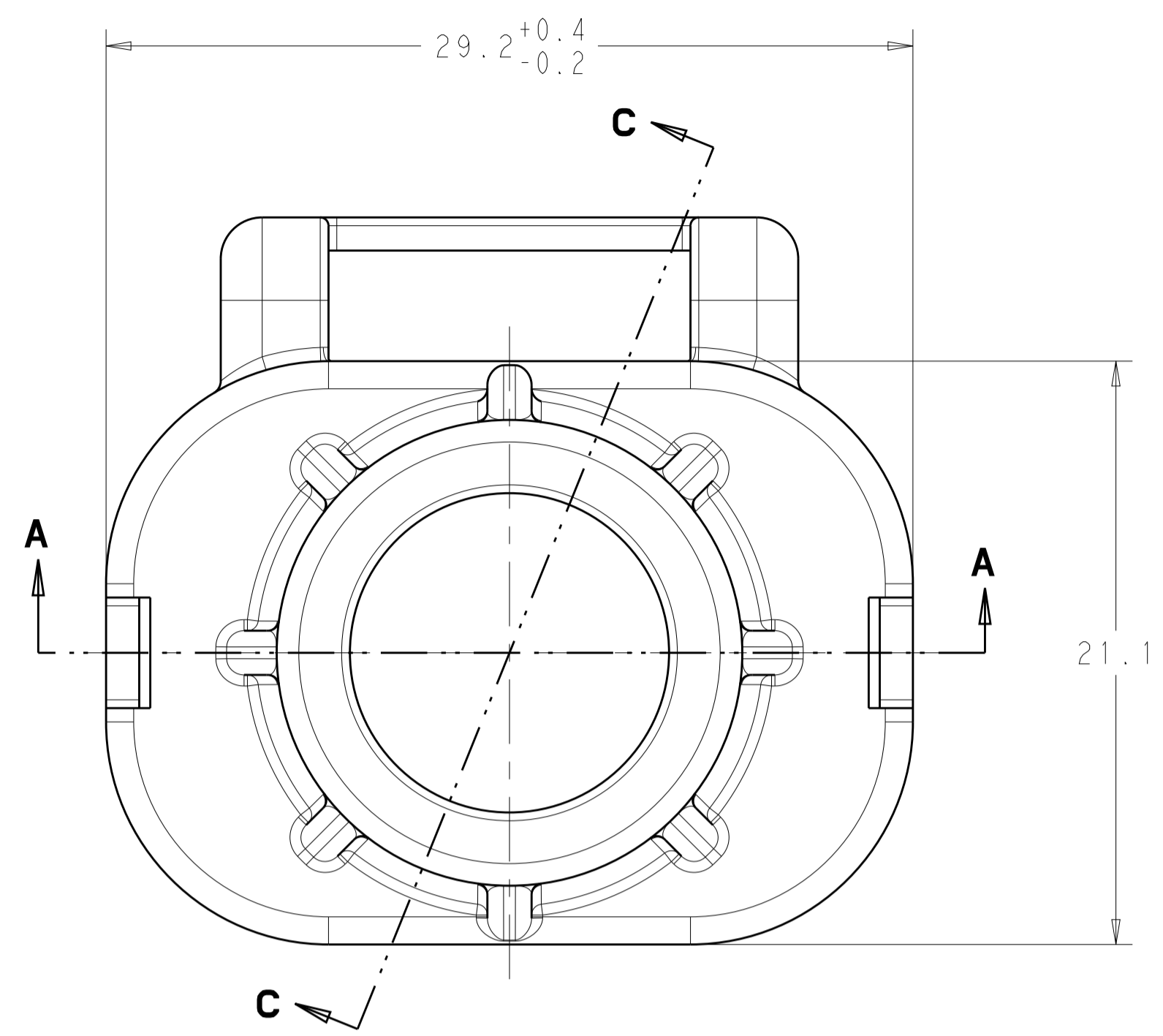
Tel: +86-755-8981 8866 Fax: +86-755-8427 6832

Email & Skype: info@chipsmall.com Web: www.chipsmall.com

Address: A1208, Overseas Decoration Building, #122 Zhenhua RD., Futian, Shenzhen, China



LOC		DIST		REVISIONS			
P	LTN	DESCRIPTION	DATE	DWN	APVD		
A		ECO-11-024207	02DEC2011	DR	DR		
B		ECO-12-013159	17JUL2012	DR	DR		
B1		ECO-13-012771	08AUG2013	DR	DR		
B2		ECO-13-016420	21OCT2013	DR	DR		



SCALE 2:1

⚠ MATERIAL:
 TYPE: PA66 33%GF
 COLOR: SEE TABLE

60°	10.55	13.55	3.85g	ORANGE	B	2103013-3
60°	10.55	13.55	3.85g	BLACK	B	2103013-2
30°	11.55	14.45	3.42g	ORANGE	B	2103013-1
L	K	J	WEIGHT	COLOR	REV	PART NO.

SECTION A-A

SECTION C-C

THIS DRAWING IS A CONTROLLED DOCUMENT.

DIMENSIONS:	TOLERANCES UNLESS OTHERWISE SPECIFIED:	DWN D. RHEIN 03JAN2011	TE Connectivity CABLE SEAL RETAINER, HVA280 MULTI-CORE
mm	0 PLC ±	CHK D. RHEIN 29MAR2011	
	1 PLC ±0.2	APVD J. ROLEWITZ 29MAR2011	
	2 PLC ±0.10		
	3 PLC ±		NAME
	4 PLC ±		PRODUCT SPEC
	ANGLES ±		APPLICATION SPEC
MATERIAL	FINISH	WEIGHT SEE TABLE	SIZE CAGE CODE DRAWING NO
		Customer Drawing	RESTRICTED TO

SCALE 5:1 SHEET 1 OF 1 REV B2