



Chipsmall Limited consists of a professional team with an average of over 10 year of expertise in the distribution of electronic components. Based in Hongkong, we have already established firm and mutual-benefit business relationships with customers from,Europe,America and south Asia,supplying obsolete and hard-to-find components to meet their specific needs.

With the principle of “Quality Parts,Customers Priority,Honest Operation,and Considerate Service”,our business mainly focus on the distribution of electronic components. Line cards we deal with include Microchip,ALPS,ROHM,Xilinx,Pulse,ON,Everlight and Freescale. Main products comprise IC,Modules,Potentiometer,IC Socket,Relay,Connector.Our parts cover such applications as commercial,industrial, and automotives areas.

We are looking forward to setting up business relationship with you and hope to provide you with the best service and solution. Let us make a better world for our industry!



Contact us

Tel: +86-755-8981 8866 Fax: +86-755-8427 6832

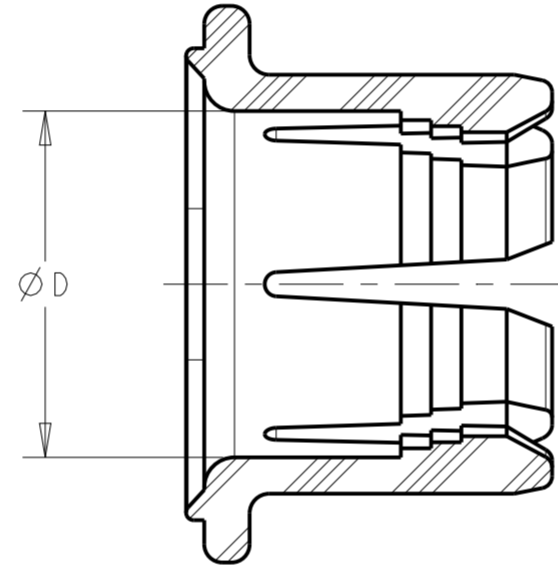
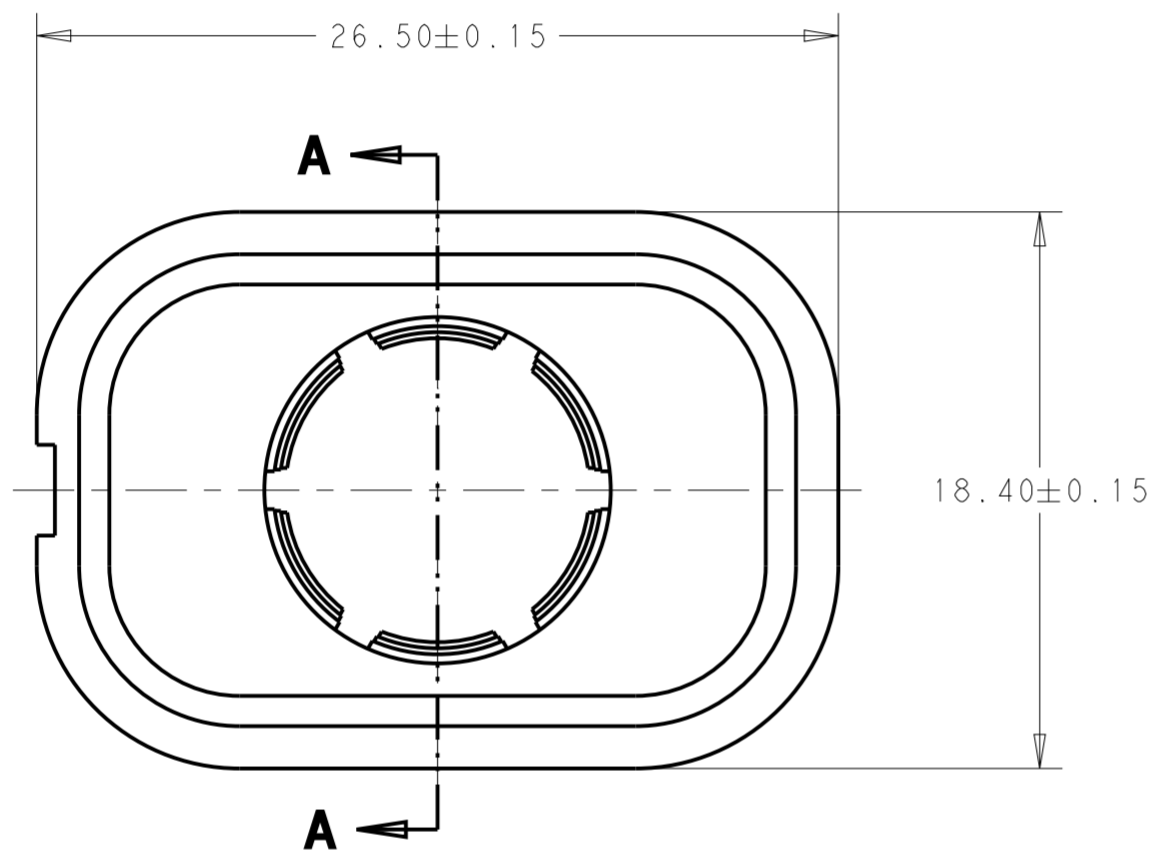
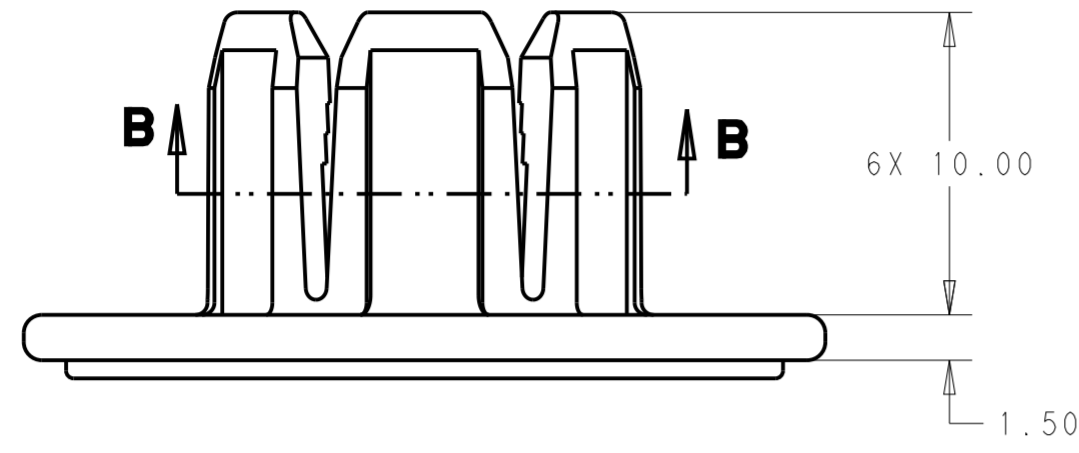
Email & Skype: info@chipsmall.com Web: www.chipsmall.com

Address: A1208, Overseas Decoration Building, #122 Zhenhua RD., Futian, Shenzhen, China

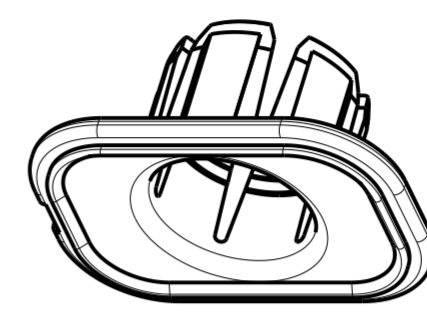


THIS DRAWING IS UNPUBLISHED. RELEASED FOR PUBLICATION 20
 © COPYRIGHT 20 BY TYCO ELECTRONICS CORPORATION ALL RIGHTS RESERVED.

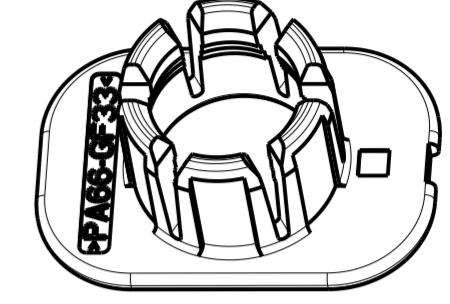
REVISIONS					
P	LTR	DESCRIPTION	DATE	DWN	APVD
A3		ECO-14-004886	31MAR2014	DR	DR



SECTION A-A



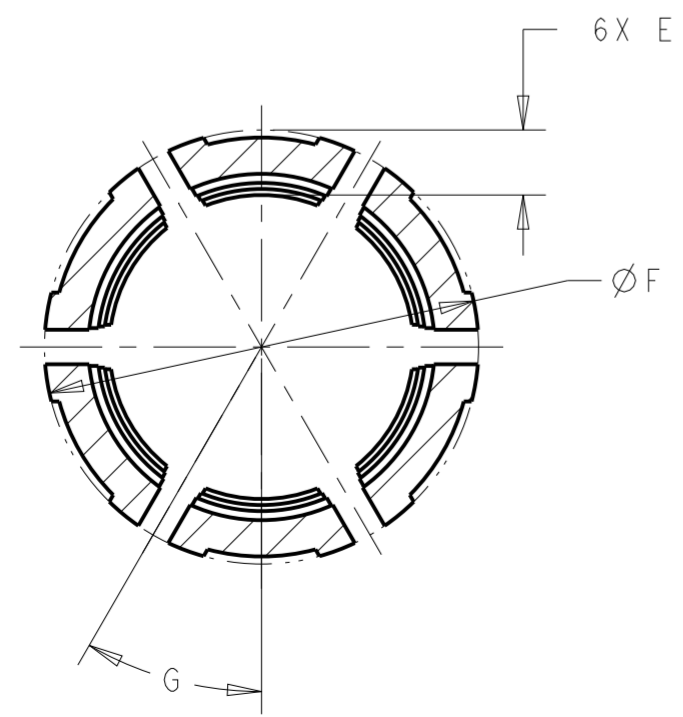
SCALE 2:1



SCALE 2:1

1 MATERIAL:
 TYPE: PA66 33%GF
 COLOR: SEE TABLE

2. NOTED DELETED



SECTION B-B

60°	13.45	2.40	10.55	1.33g	NATURAL	9.30 - 10.10	A	2103155-3
60°	13.45	2.15	10.55	1.27g	BLACK	9.80 - 10.50	A	2103155-2
30°	14.35	2.15	11.45	1.27g	ORANGE	10.70 - 11.40	A	2103155-1
G	F	E	D	WEIGHT	COLOR	CABLE Ø	REV	PART NO

THIS DRAWING IS A CONTROLLED DOCUMENT.

DIMENSIONS: mm	TOLERANCES UNLESS OTHERWISE SPECIFIED: 0 PLC ± 1 PLC ±0.2 2 PLC ±0.10 3 PLC ± 4 PLC ± ANGLES ±5 FINISH	DWN D. RHEIN 07DEC2010 CHK D. RHEIN 23MAR2011 APVD J. ROLEWITZ 23MAR2011	TE Connectivity NAME COLLET HVA280 MULTI-CORE
MATERIAL	SEE TABLE	PRODUCT SPEC - APPLICATION SPEC - WEIGHT - CUSTOMER DRAWING	