



Chipsmall Limited consists of a professional team with an average of over 10 year of expertise in the distribution of electronic components. Based in Hongkong, we have already established firm and mutual-benefit business relationships with customers from,Europe,America and south Asia,supplying obsolete and hard-to-find components to meet their specific needs.

With the principle of “Quality Parts,Customers Priority,Honest Operation,and Considerate Service”,our business mainly focus on the distribution of electronic components. Line cards we deal with include Microchip,ALPS,ROHM,Xilinx,Pulse,ON,Everlight and Freescale. Main products comprise IC,Modules,Potentiometer,IC Socket,Relay,Connector.Our parts cover such applications as commercial,industrial, and automotives areas.

We are looking forward to setting up business relationship with you and hope to provide you with the best service and solution. Let us make a better world for our industry!



Contact us

Tel: +86-755-8981 8866 Fax: +86-755-8427 6832

Email & Skype: info@chipsmall.com Web: www.chipsmall.com

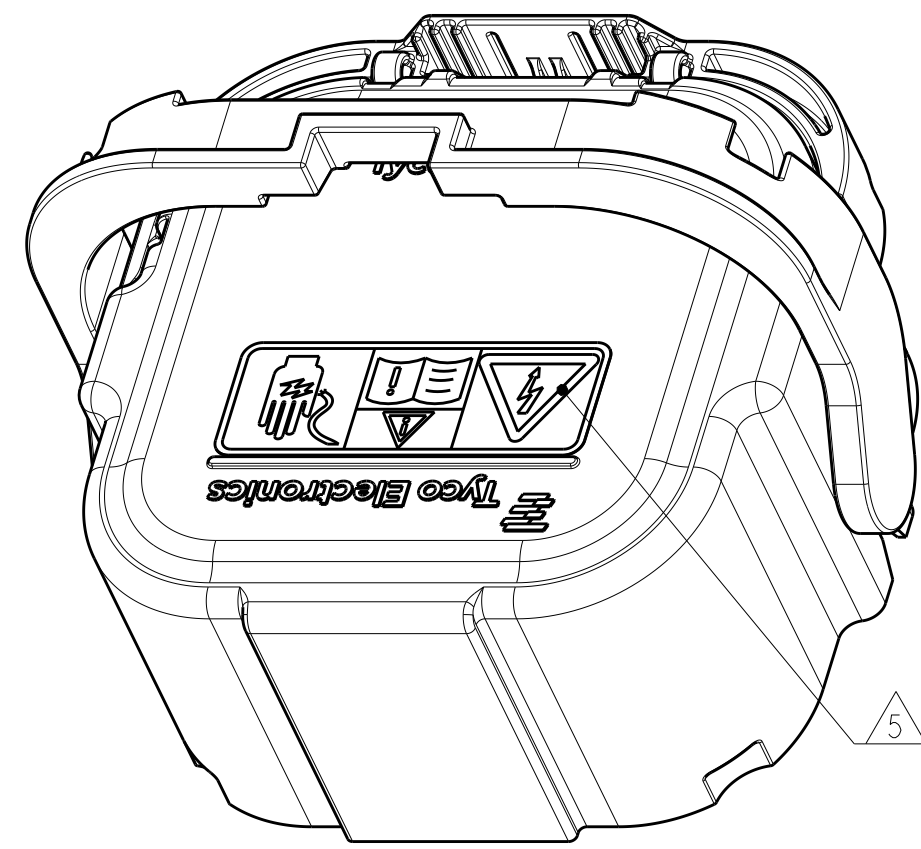
Address: A1208, Overseas Decoration Building, #122 Zhenhua RD., Futian, Shenzhen, China



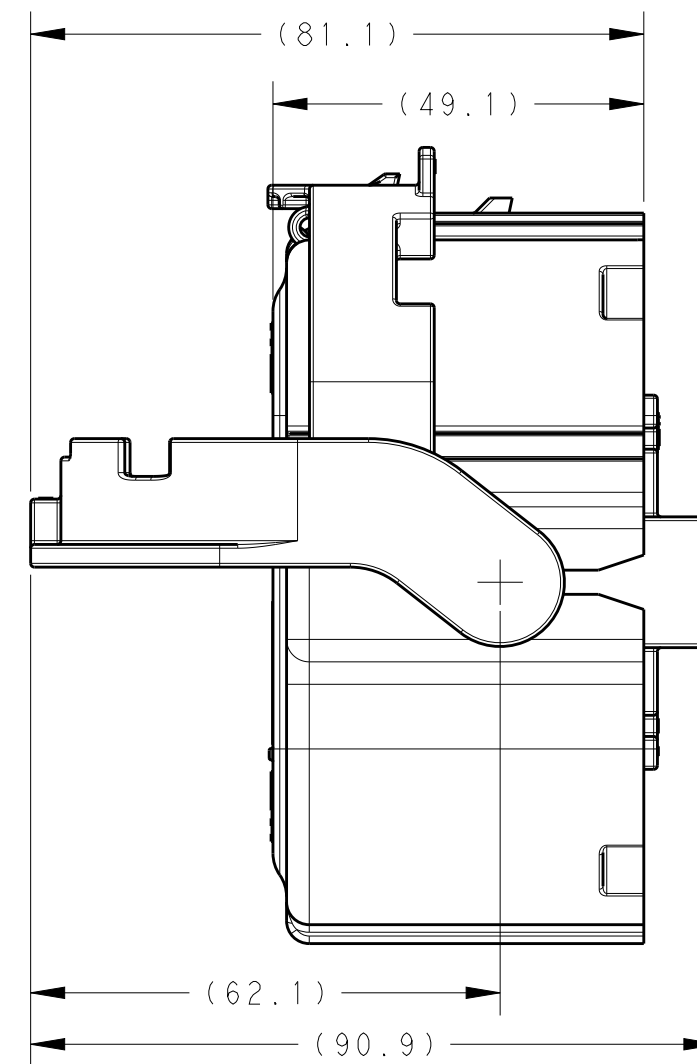
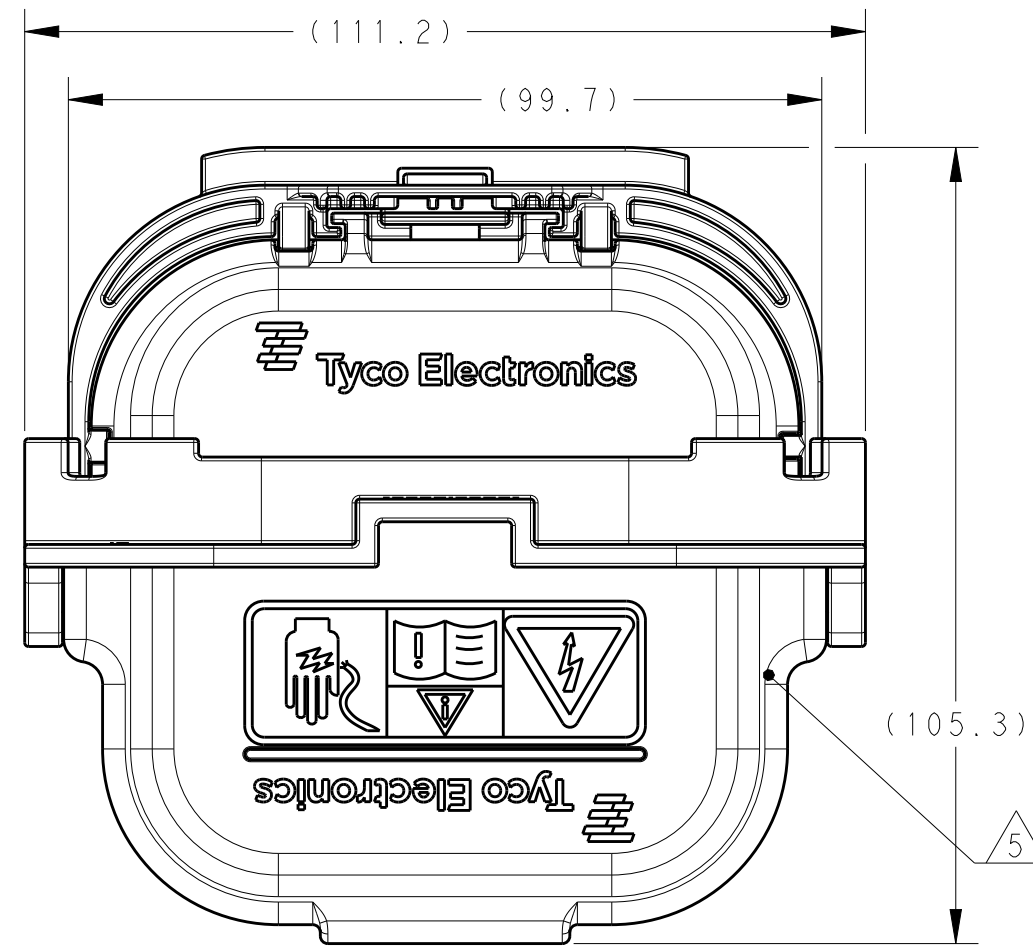
THIS DRAWING IS UNPUBLISHED. RELEASED FOR PUBLICATION 20
 © COPYRIGHT 20 BY TYCO ELECTRONICS CORPORATION ALL RIGHTS RESERVED.

REVISIONS				
P	LTR	DESCRIPTION	DATE	APVD
D		REVISED PER ECO-13-011781	22JUL2013	DD JS
E		REVISED PER ECO-13-017499	21FEB2014	DD JS

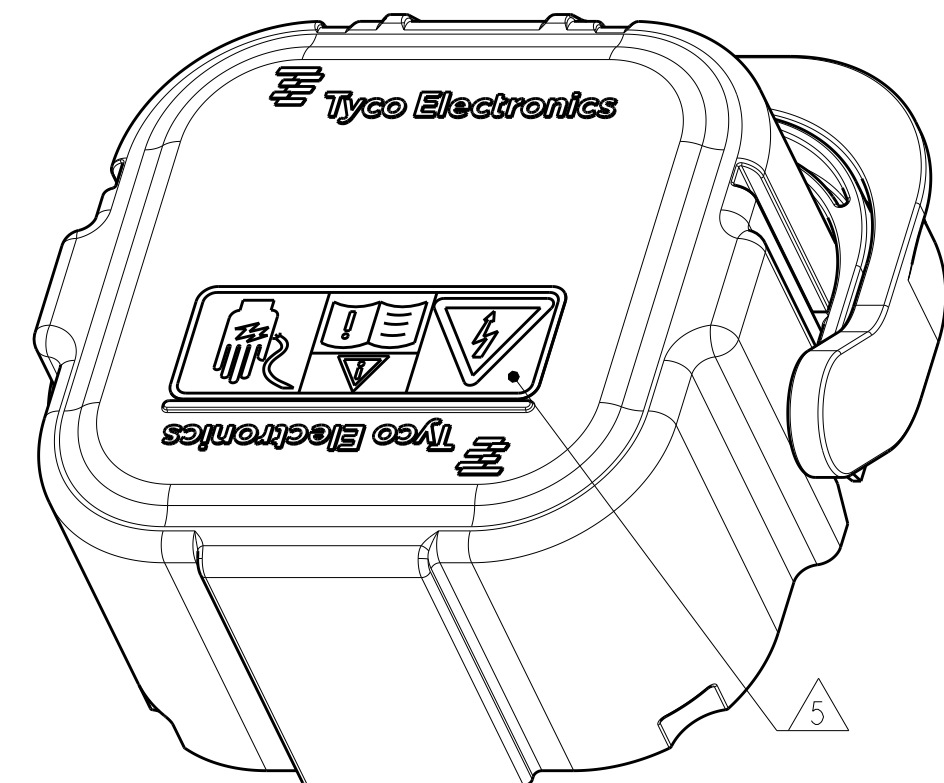
LEVER IN PRE-STAGE POSITION



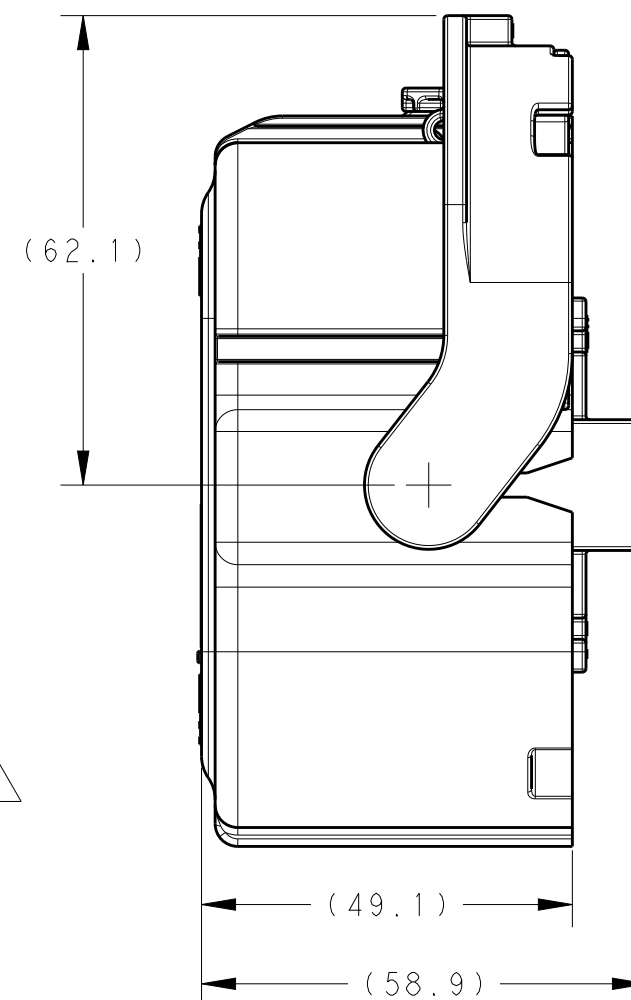
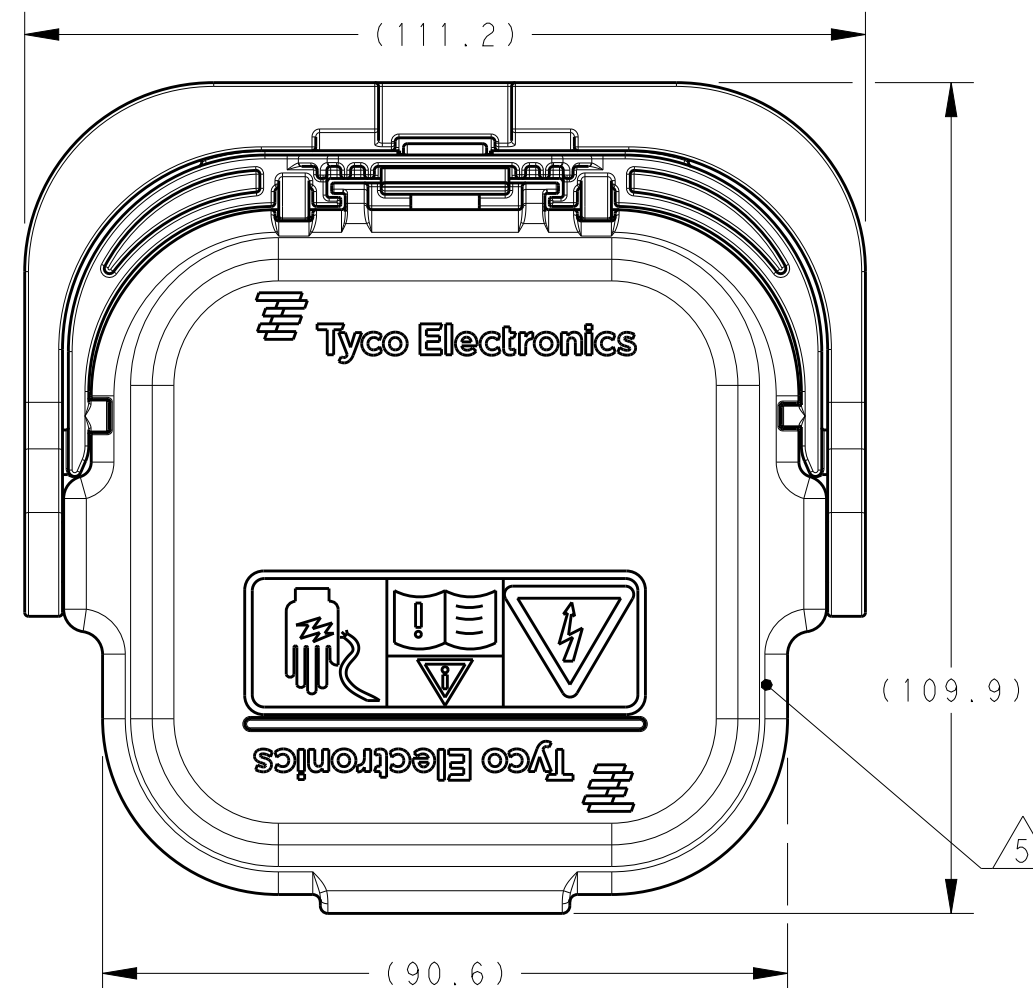
ISOMETRIC VIEW
SCALE 1:1



LEVER IN LOCKED POSITION



ISOMETRIC VIEW
SCALE 1:1



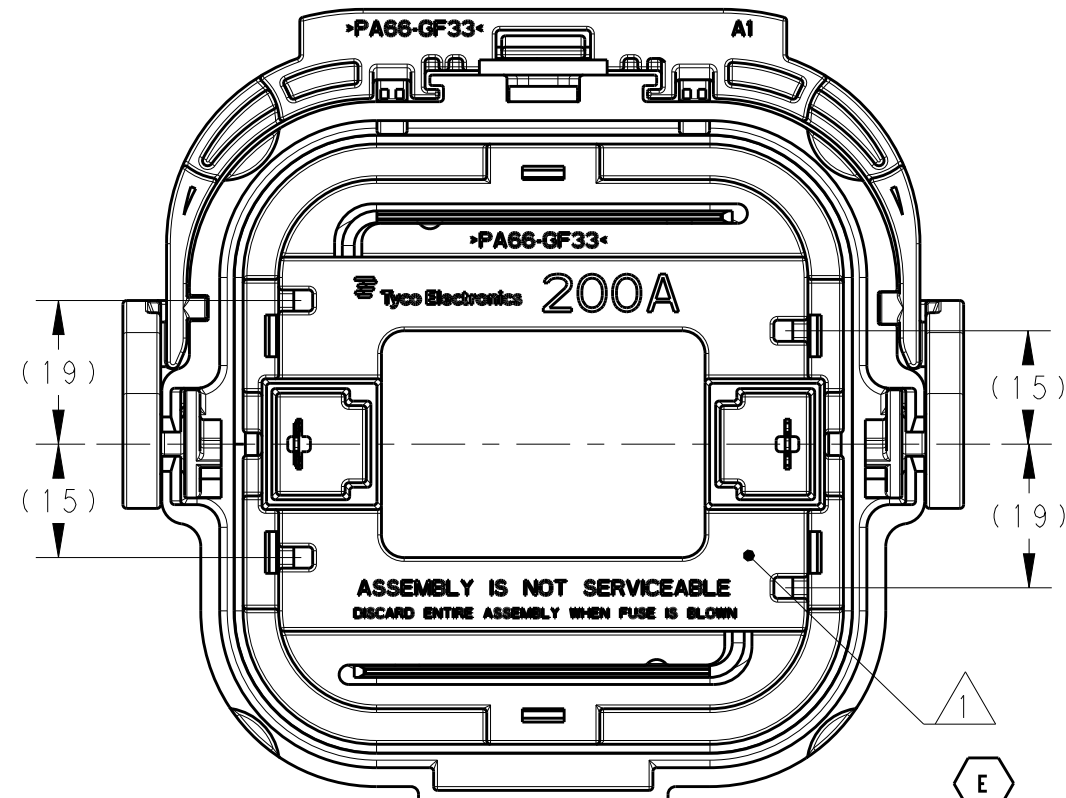
E	NATURAL/OFF-WHITE	525.60	250A (EV)	2-2103172-9
E	NATURAL/OFF-WHITE	525.60	200A (EV)	2-2103172-8
	NATURAL/OFF-WHITE	261.25	SHUNT	2-2103172-7
E	NATURAL/OFF-WHITE	525.60	350A (EV)	2-2103172-2
	NATURAL/OFF-WHITE	525.60	250A	1-2103172-9
	NATURAL/OFF-WHITE	525.60	200A	1-2103172-8
	BLACK	261.25	SHUNT	1-2103172-7
	NATURAL/OFF-WHITE	525.60	350A	1-2103172-2
	BLACK	525.60	350A	1-2103172-1
	BLACK	525.60	250A	2103172-9
	BLACK	525.60	200A	2103172-8
	INNER LEVER COLOR	PART WEIGHT(g)	FUSE RATING	PART NUMBER

- 1 INNER HOUSING MAY BE ASSEMBLED ROTATED 180° FROM AS SHOWN
- 2 ASSEMBLY / WORK INSTRUCTIONS: 408-10432
- 3 NOTE DELETED
- 4 SEE SHEET 2 FOR FUSE RATING MARKINGS AND KEYING CONFIGURATIONS
- 5 IMAGE FOR REFERENCE ONLY, SHOWS ORIENTATION

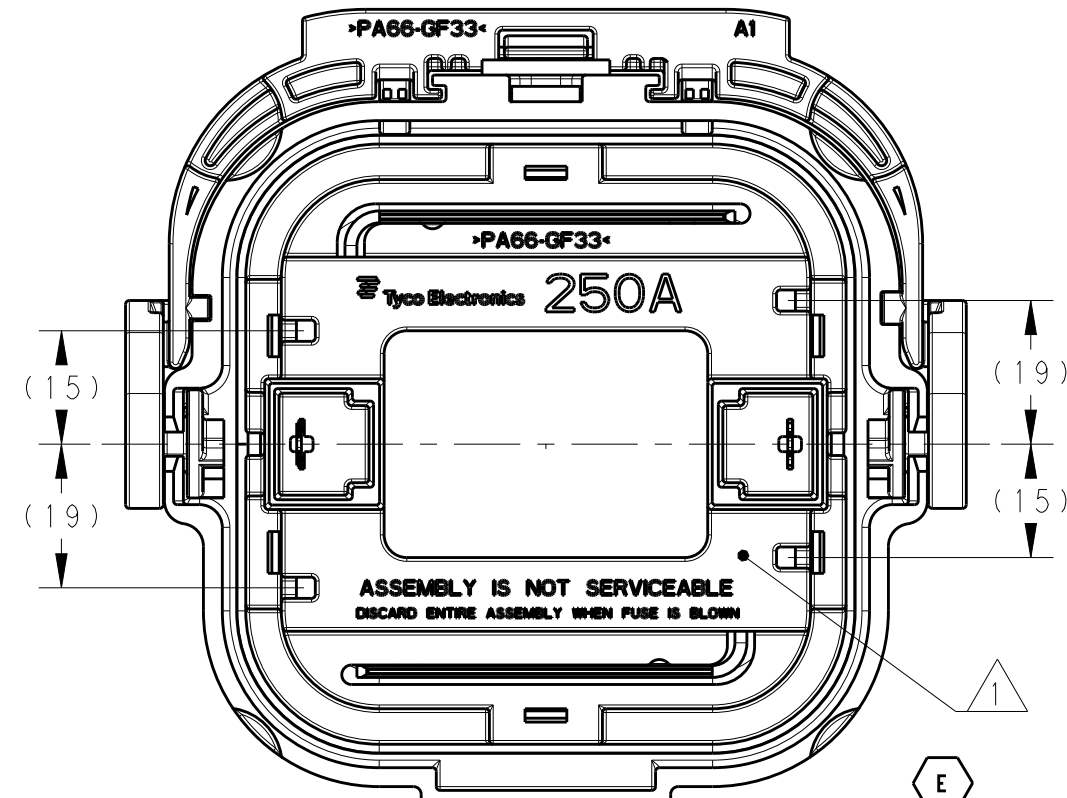
THIS DRAWING IS A CONTROLLED DOCUMENT. DIMENSIONING AND TOLERANCING PER ASME Y14.5M-2009		DWN A BOYER 04JAN2011	TE Connectivity	
DIMENSIONS: mm		CHK A BOYER 04JAN2011		
TOLERANCES UNLESS OTHERWISE SPECIFIED:		APVD J BOLEWITZ 04JAN2011	NAME PLUG ASSEMBLY MANUAL SERVICE DISCONNECT	
0 PLC ±		PRODUCT SPEC 108-127000	SIZE CAGE CODE DRAWING NO RESTRICTED TO	
1 PLC ±		APPLICATION SPEC	A200779 C-2103172	
2 PLC ±		WEIGHT SEE TABLE	SCALE 1:1 SHEET 1 OF 2 REV E	
3 PLC ±		Customer Drawing		
4 PLC ±				
ANGLES ±				
FINISH				

REVISIONS

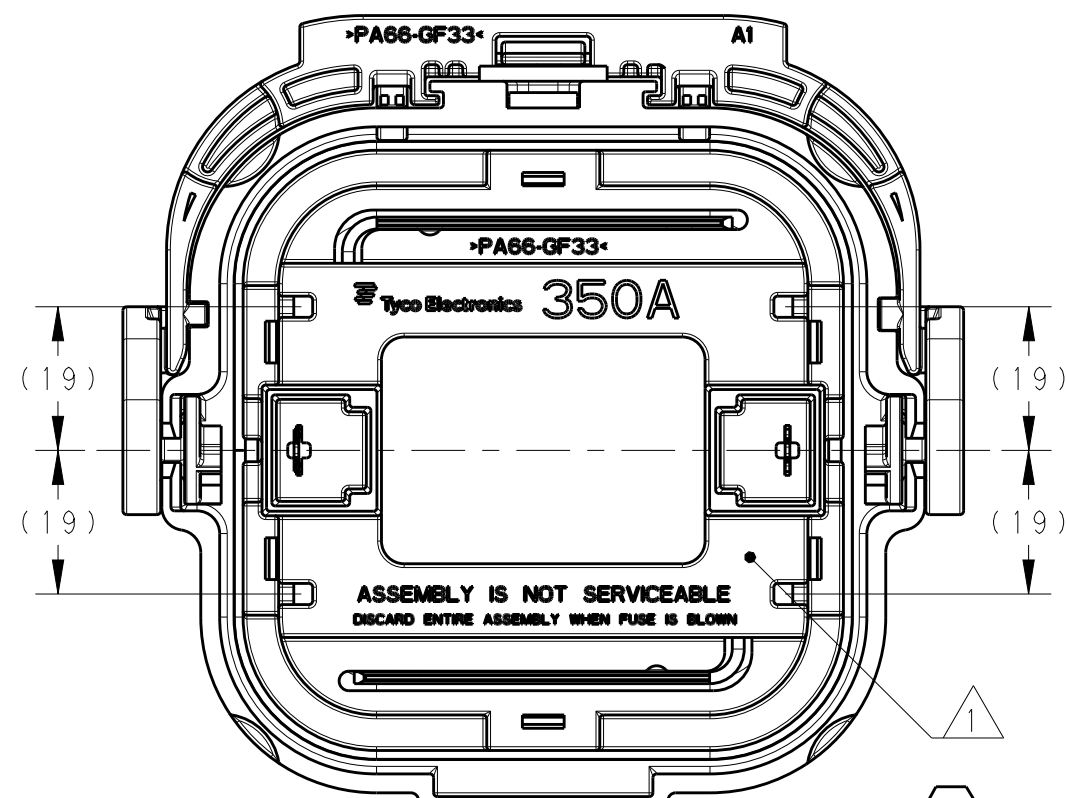
P	LTR	DESCRIPTION	DATE	DWN	APVD
-	-	SEE SHEET 1	-	-	-



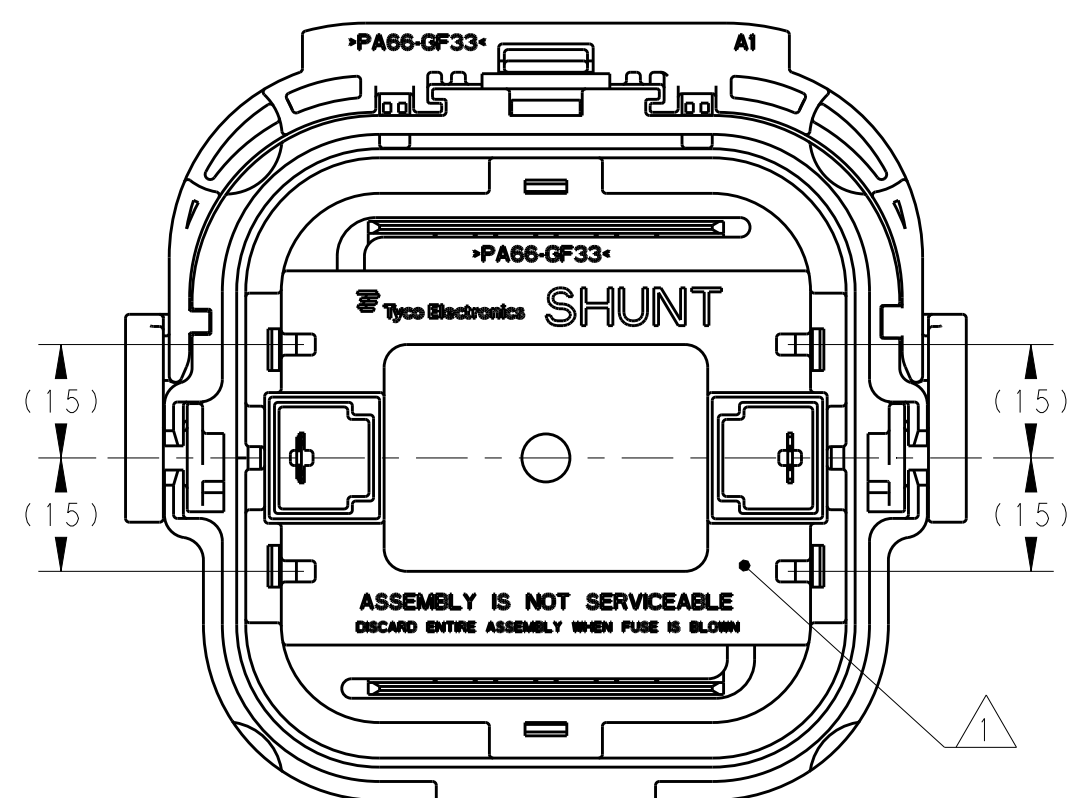
2103172-8, 1-2103172-8 & 2-2103172-8
 FUSE RATING: 200A



2103172-9, 1-2103172-9 & 2-2103172-9
 FUSE RATING: 250A



1-2103172-1, 1-2103172-2 & 2-2103172-2
 FUSE RATING: 350A



1-2103172-7 & 2-2103172-7
 SHUNT

THIS DRAWING IS A CONTROLLED DOCUMENT.
 DIMENSIONING AND TOLERANCING
 PER ASME Y14.5M-2009

DIMENSIONS:	TOLERANCES UNLESS OTHERWISE SPECIFIED:
mm	0 PLC ± 1 PLC ± 2 PLC ± 3 PLC ± 4 PLC ± ANGLES ± FINISH
MATERIAL	-

DWN	A BOYER	04JAN2011
CHK	A BOYER	04JAN2011
APVD	J BOLEWITZ	04JAN2011
PRODUCT SPEC	108-127000	
APPLICATION SPEC	2	
WEIGHT	SEE TABLE	
Customer Drawing		

TE Connectivity		NAME	
		PLUG ASSEMBLY MANUAL SERVICE DISCONNECT	
SIZE	CAGE CODE	DRAWING NO	RESTRICTED TO
A2	00779	C-2103172	-
SCALE	1:1	SHEET	2 OF 2
REV	E		