



Chipsmall Limited consists of a professional team with an average of over 10 year of expertise in the distribution of electronic components. Based in Hongkong, we have already established firm and mutual-benefit business relationships with customers from,Europe,America and south Asia,supplying obsolete and hard-to-find components to meet their specific needs.

With the principle of "Quality Parts,Customers Priority,Honest Operation,and Considerate Service",our business mainly focus on the distribution of electronic components. Line cards we deal with include Microchip,ALPS,ROHM,Xilinx,Pulse,ON,Everlight and Freescale. Main products comprise IC,Modules,Potentiometer,IC Socket,Relay,Connector.Our parts cover such applications as commercial,industrial, and automotives areas.

We are looking forward to setting up business relationship with you and hope to provide you with the best service and solution. Let us make a better world for our industry!



Contact us

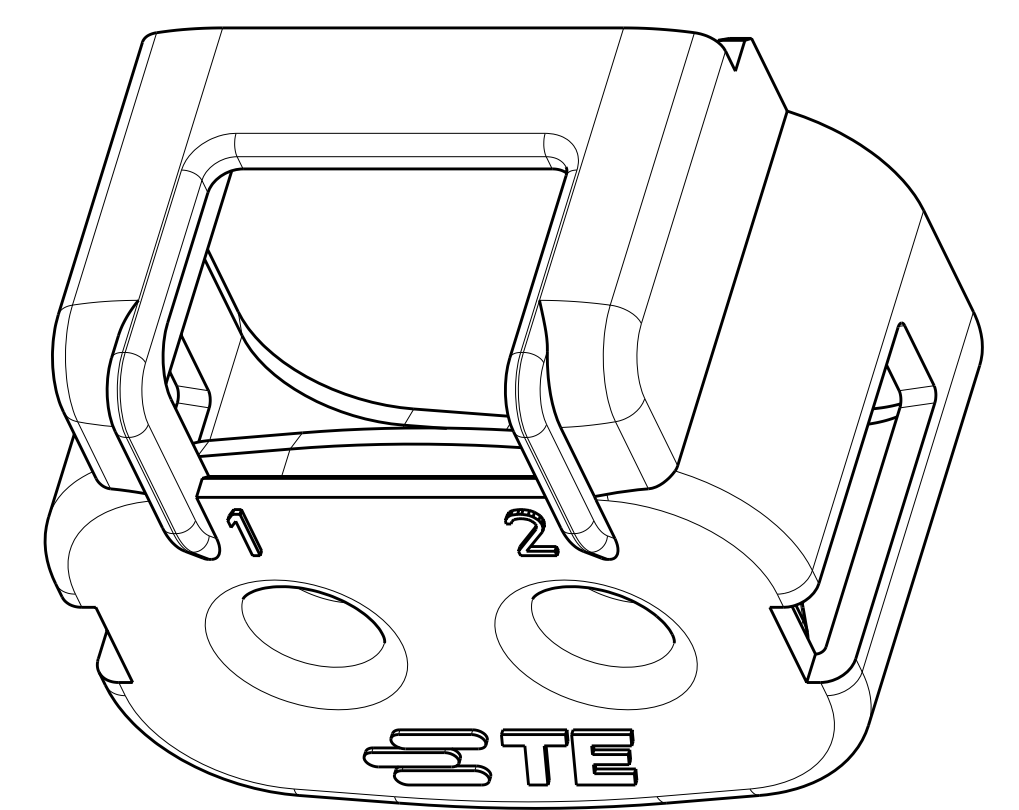
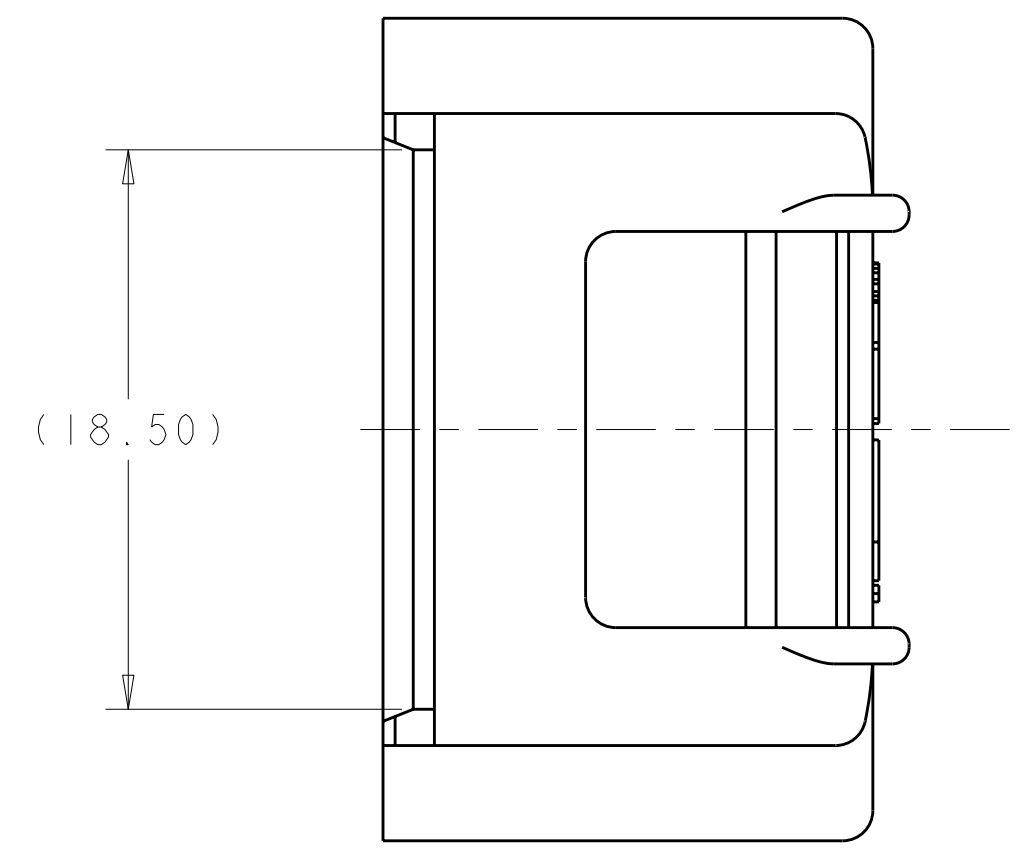
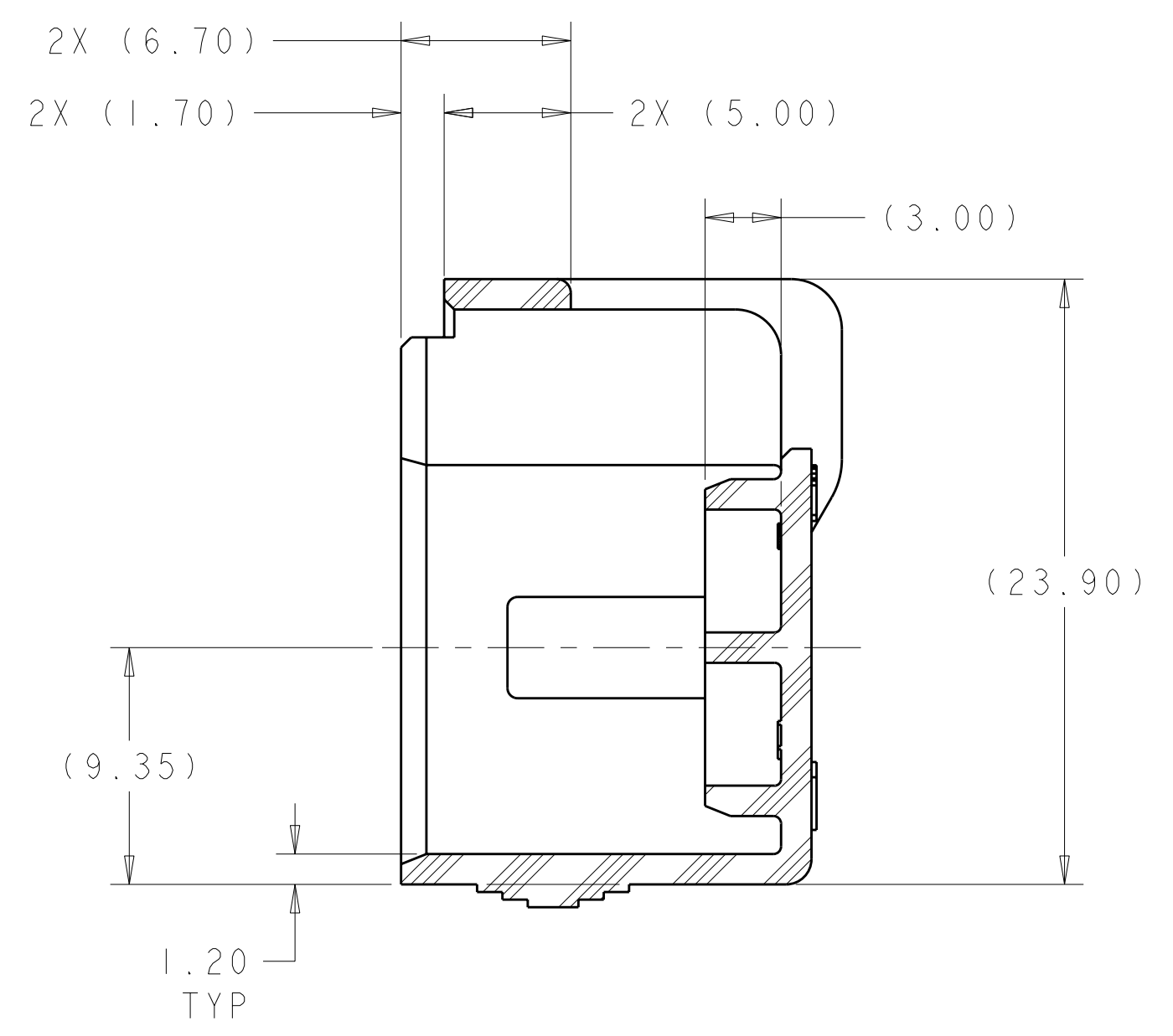
Tel: +86-755-8981 8866 Fax: +86-755-8427 6832

Email & Skype: info@chipsmall.com Web: www.chipsmall.com

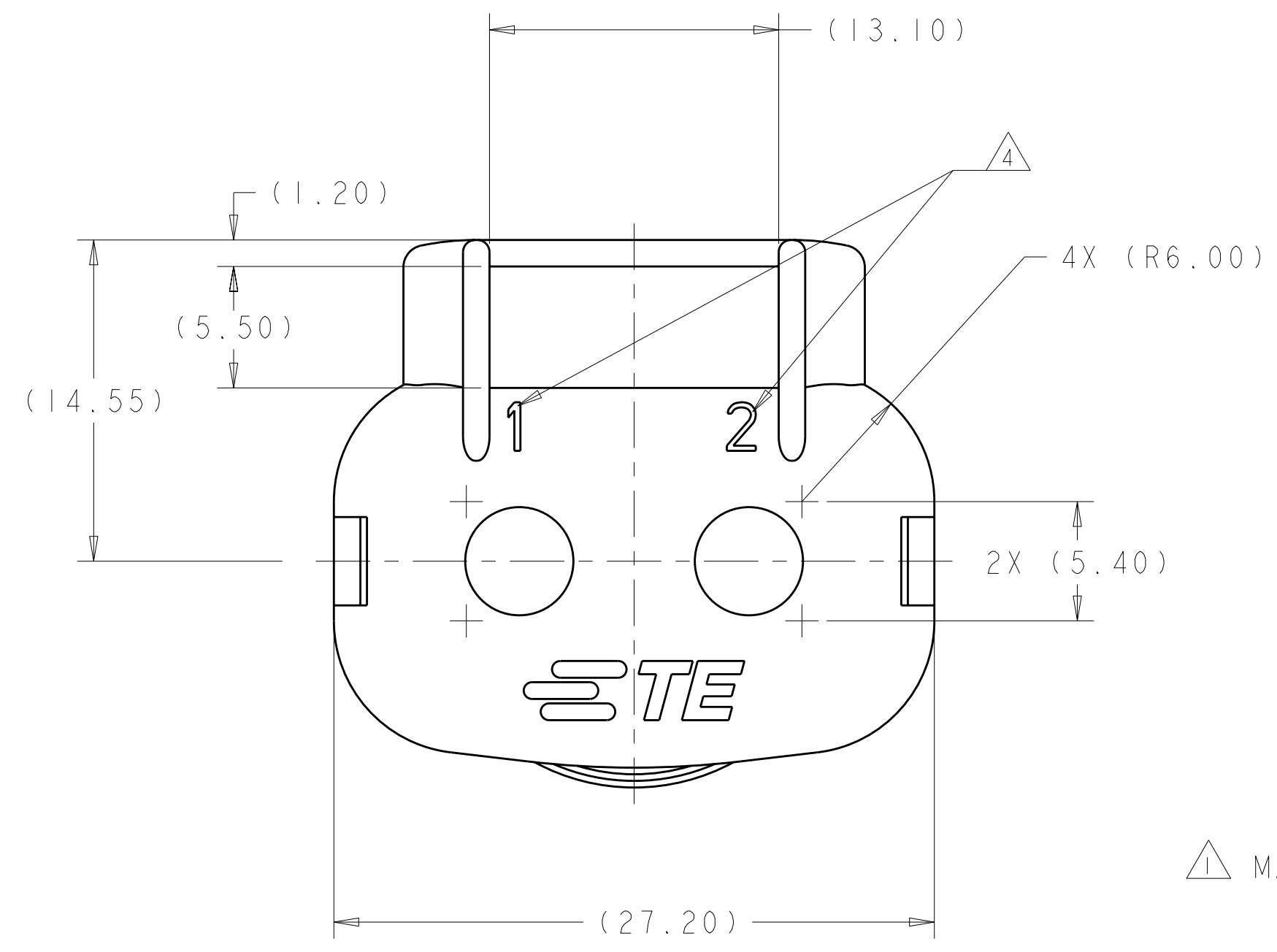
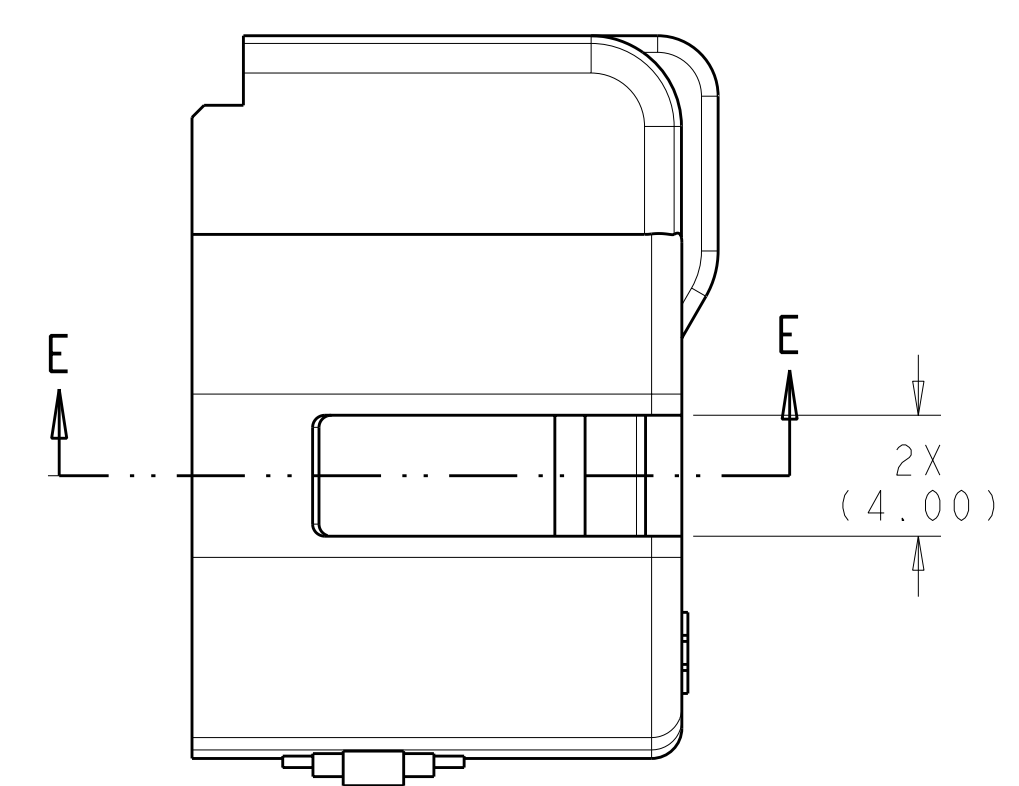
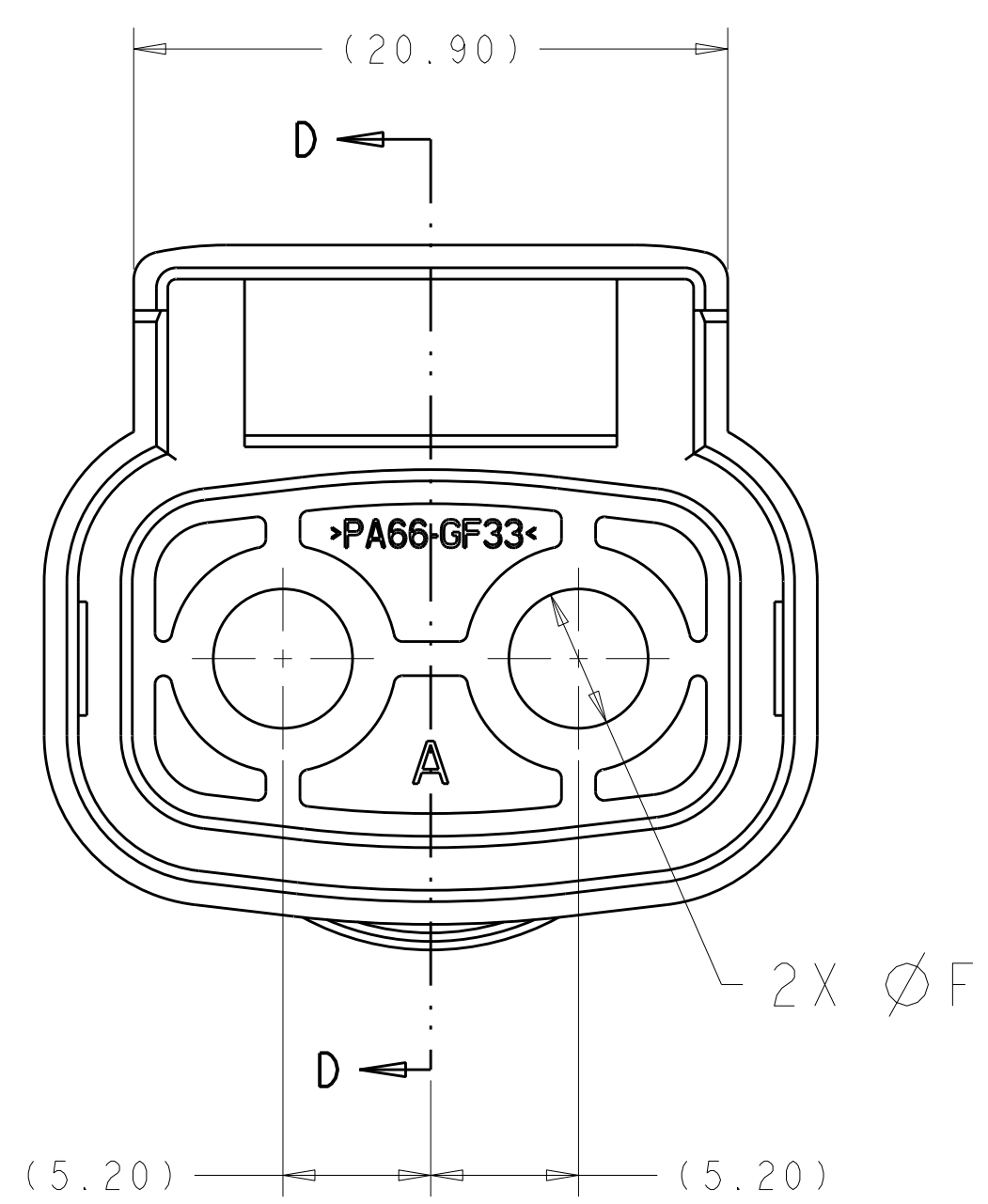
Address: A1208, Overseas Decoration Building, #122 Zhenhua RD., Futian, Shenzhen, China



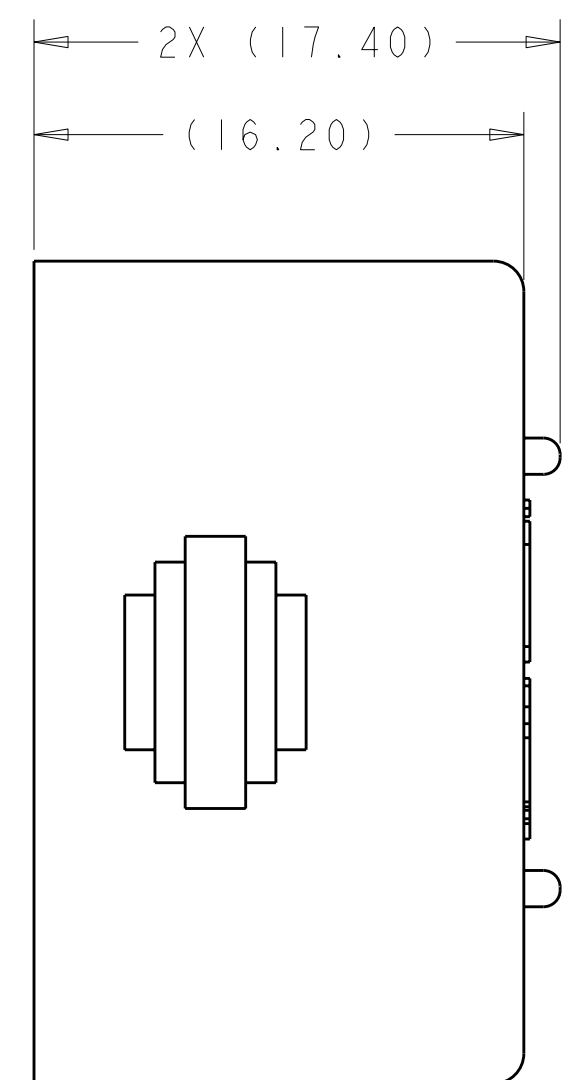
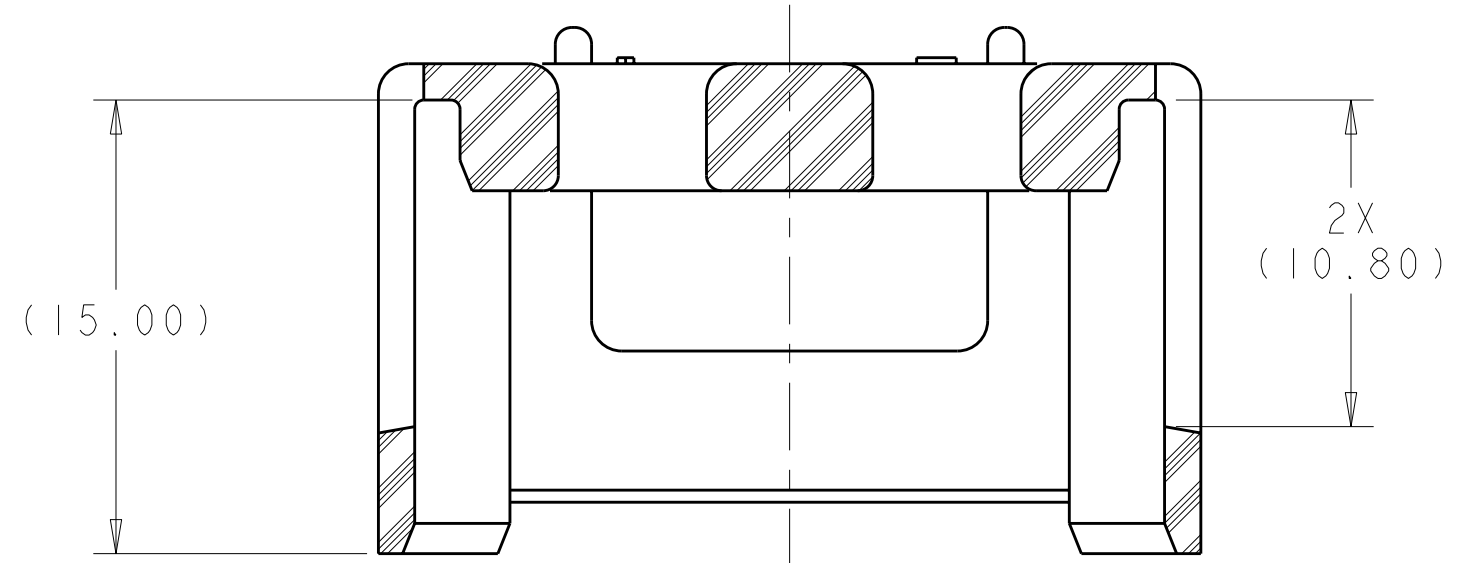
LOC	DIST	REVISIONS			
P	LTB	DESCRIPTION	DATE	DWN	APVD
A		ECO-12-010443	12 JUN 2012	DS	AT



SECTION D-D
REMOVED



- △ MATERIAL :
TYPE : PA66 33%GF
COLOR : SEE TABLE
- 2. FEATURES DENOTED BY REFERENCE DIMENSIONS
MUST BE INSPECTED FOR PRESENCE
- 3. PART MUST BE FREE OF EXCESSIVE FLASH, MIS-MATCH,
SINK MARKS, OR OTHER VISUAL IMPERFECTIONS THAT
MAY AFFECT PRODUCT FIT FORM OR FUNCTION
- △ CIRCUIT ID



SECTION E-E
REMOVED, ROTATED 90° CCW

COLOR	MIN	MAX	F	DESCRIPTION	PART NO
DK GRAY	5.48	6.10	6.20	CABLE SEAL RETAINER, SIZE C	2103181-3
ORANGE	4.76	5.48	5.60	CABLE SEAL RETAINER, SIZE B	2103181-2
BLACK	4.11	4.76	4.90	CABLE SEAL RETAINER, SIZE A	2103181-1

THIS DRAWING IS A CONTROLLED DOCUMENT. DIMENSIONING AND TOLERANCING PER ASME Y14.5M-2009. TOLERANCES UNLESS OTHERWISE SPECIFIED:

DIMENSIONS:	mm	9 PLC ±.2	1 PLC ±0.2	2 PLC ±0.10	3 PLC ±0.100	4 PLC ±0.0001	ANGLES ±.1°	FINISH	
-------------	----	-----------	------------	-------------	--------------	---------------	-------------	--------	--

MATERIAL: △

DWN	D SIMPSON	08FEB2011	NAME	CABLE SEAL RETAINER
CHK	A TYLER	08FEB2011	PRODUCT SPEC	108-2394
APVD			APPLICATION SPEC	114-13295
SIZE	CAGE CODE	DRAWING NO	RESTRICTED TO	
A		A100779	C=2103181	

CUSTOMER DRAWING SCALE 4:1 SHEET 1 OF 1 REV A