



Chipsmall Limited consists of a professional team with an average of over 10 year of expertise in the distribution of electronic components. Based in Hongkong, we have already established firm and mutual-benefit business relationships with customers from,Europe,America and south Asia,supplying obsolete and hard-to-find components to meet their specific needs.

With the principle of “Quality Parts,Customers Priority,Honest Operation,and Considerate Service”,our business mainly focus on the distribution of electronic components. Line cards we deal with include Microchip,ALPS,ROHM,Xilinx,Pulse,ON,Everlight and Freescale. Main products comprise IC,Modules,Potentiometer,IC Socket,Relay,Connector.Our parts cover such applications as commercial,industrial, and automotives areas.

We are looking forward to setting up business relationship with you and hope to provide you with the best service and solution. Let us make a better world for our industry!



## Contact us

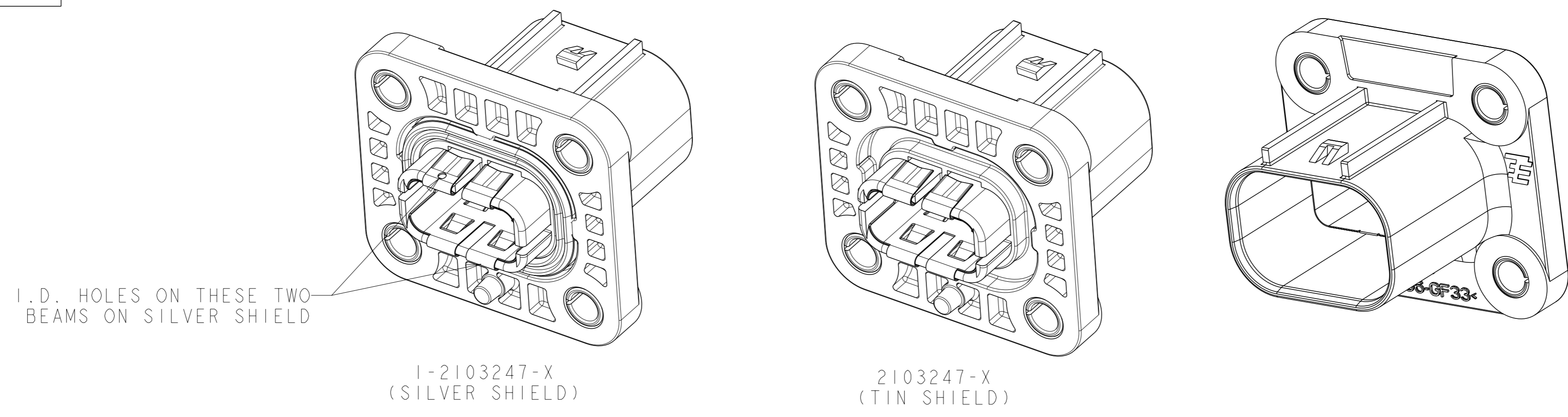
Tel: +86-755-8981 8866 Fax: +86-755-8427 6832

Email & Skype: info@chipsmall.com Web: www.chipsmall.com

Address: A1208, Overseas Decoration Building, #122 Zhenhua RD., Futian, Shenzhen, China



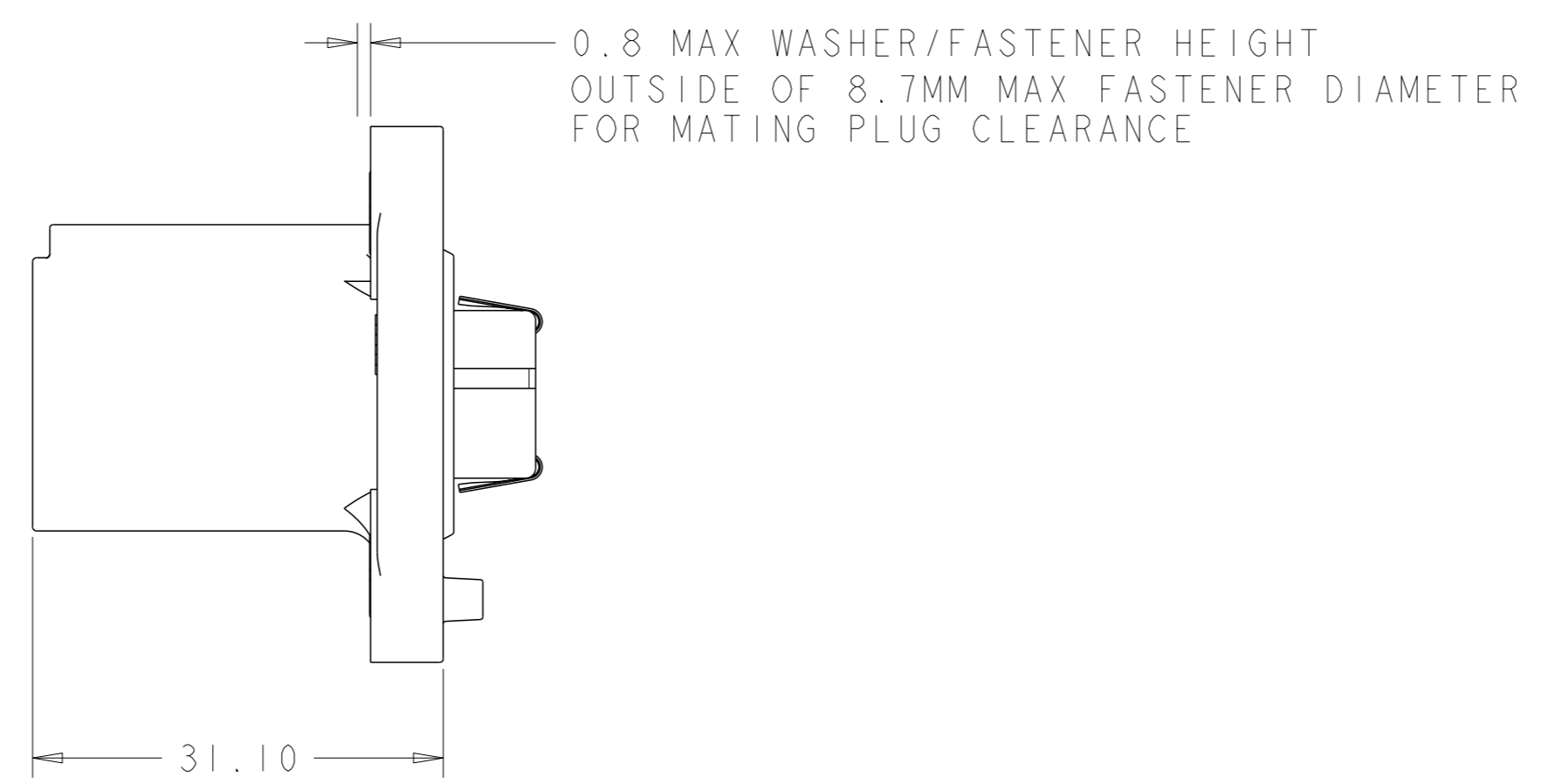
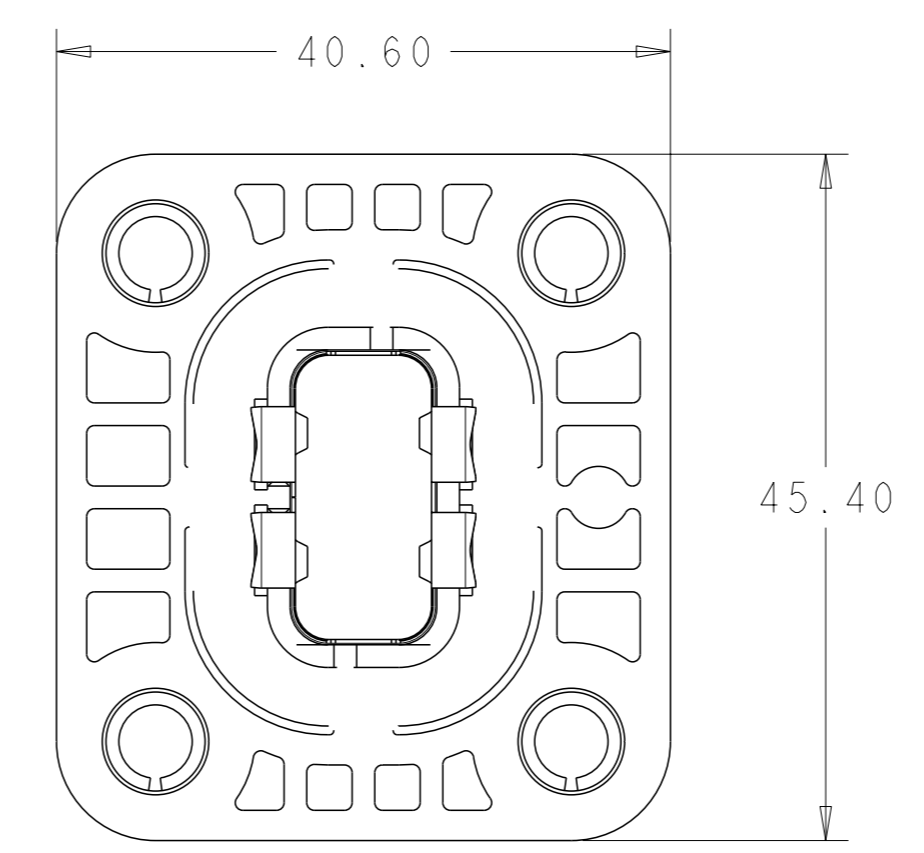
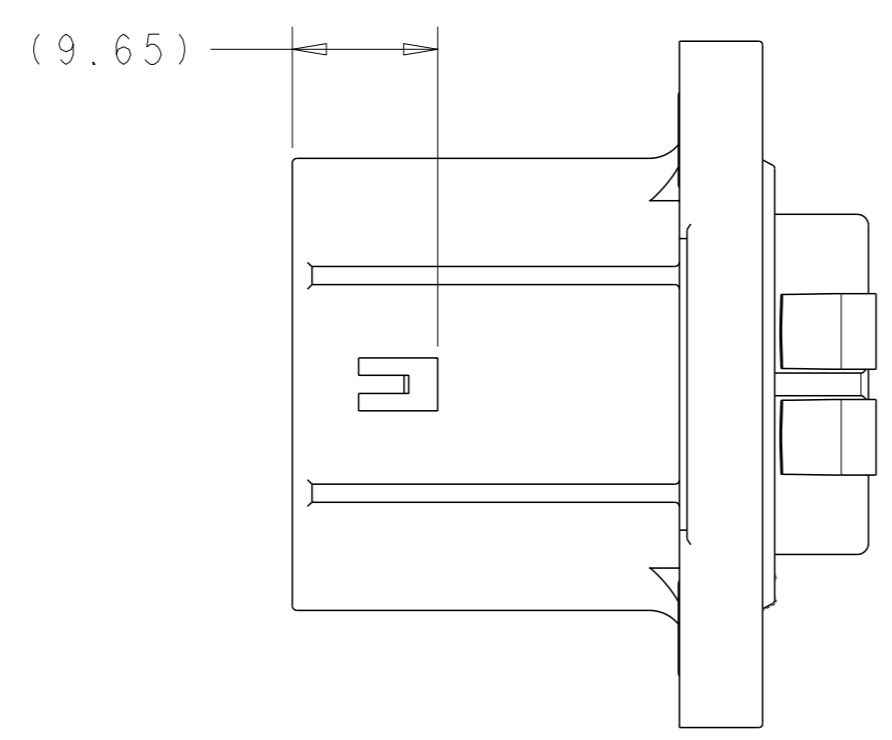
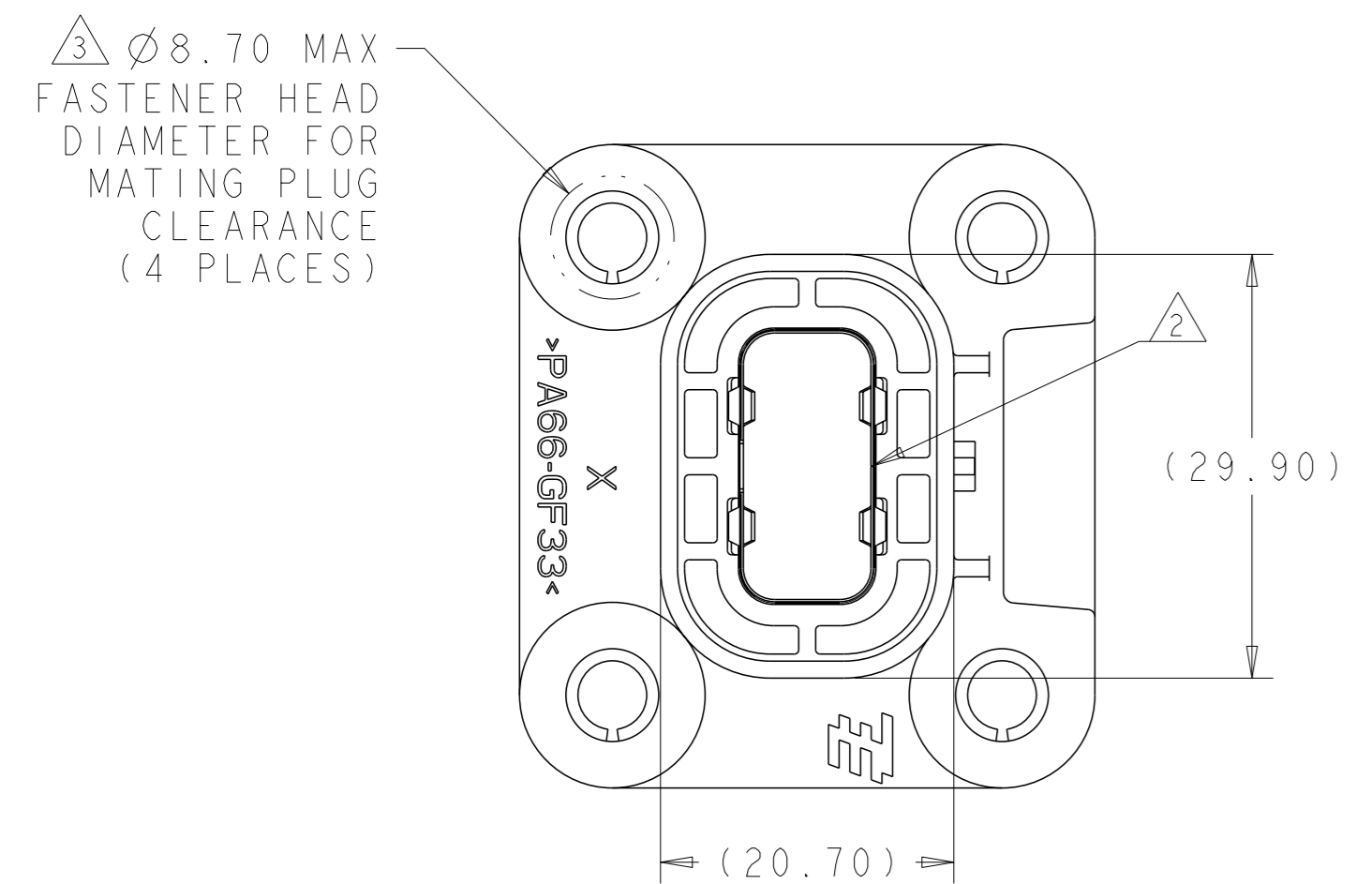
REVISIONS					
P	LYR	DESCRIPTION	DATE	OWN	APVD
A1		ECR-13-012661	08AUG2013	TD	TD
A2		ECO-15-016378	12NOV2015	DS	YS



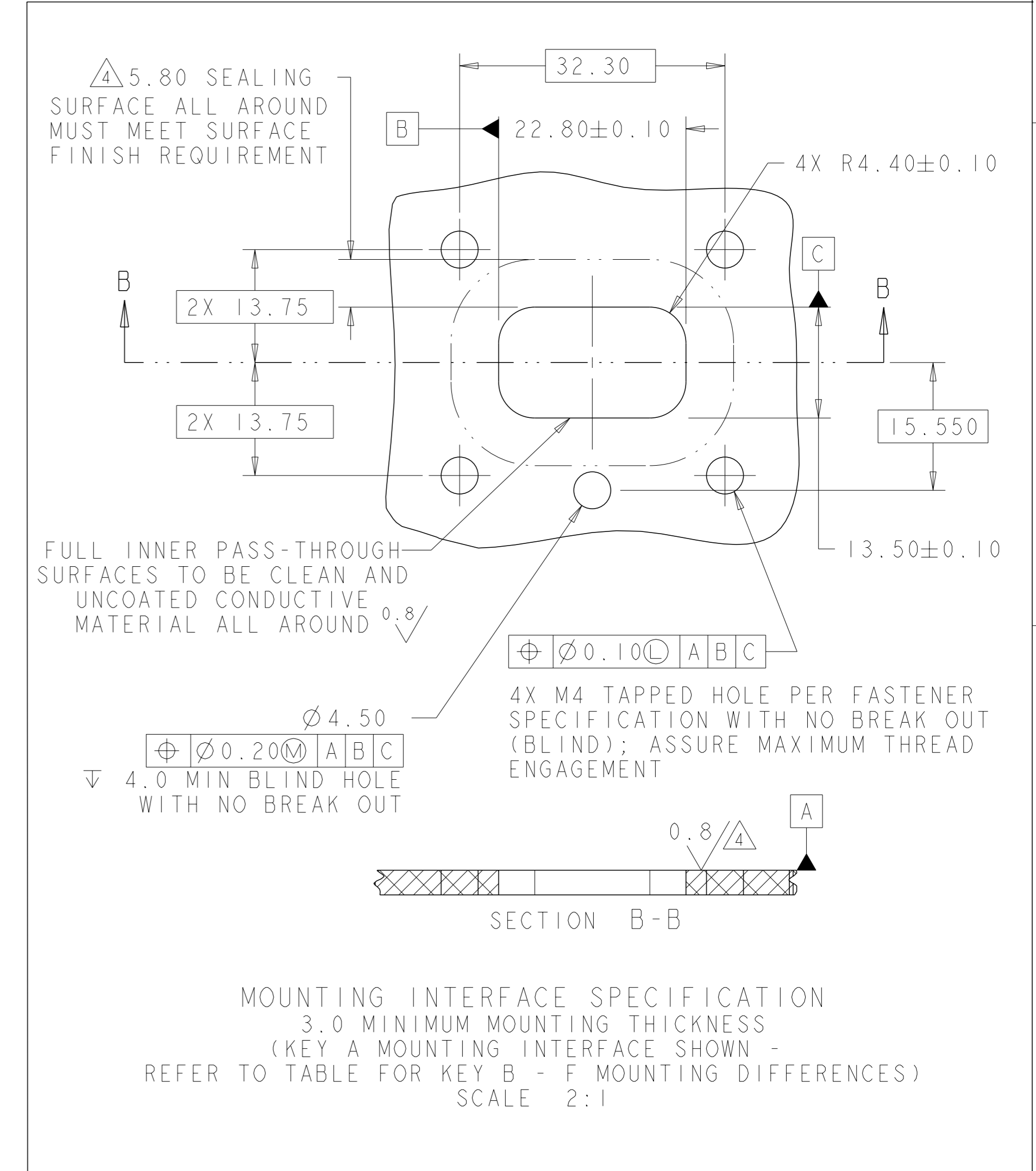
I.D. HOLES ON THESE TWO BEAMS ON SILVER SHIELD

1-2103247-X (SILVER SHIELD)

2103247-X (TIN SHIELD)



- 1 IDENTIFICATION MARKING ON THIS SURFACE CONTAINS ASSEMBLY P/N AND DATE CODE (YYDD). TEXT ORIENTATION, SIZE, AND LOCATION CAN VARY AS LONG AS TEXT IS ON SURFACE SHOWN AND READABLE.
- 2 SHIELD SEAM CAN BE POSITIONED AS SHOWN OR ROTATED 180° FROM POSITION SHOWN.
- 3 THESE DIMENSIONS DEFINE FASTENER SIZE LIMITS FOR PROPER COMPONENT FUNCTIONALITY. END USER MUST ENSURE FASTENER AND/OR WASHER DIAMETER IS 8.6 MM MIN FOR PROPER RETENTION. THESE ARE NOT PRODUCT FEATURES - NO INSPECTION REQUIRED FOR THESE ITEMS.
- 4 SURFACE FINISH APPLIES IN THIS AREA
- 5 NOTE DELETED



MOUNTING INTERFACE SPECIFICATION  
 3.0 MINIMUM MOUNTING THICKNESS  
 (KEY A MOUNTING INTERFACE SHOWN - REFER TO TABLE FOR KEY B - F MOUNTING DIFFERENCES)  
 SCALE 2:1

SHIELD FINISH	INDEX	PART NO
SILVER	F	1-2103247-6
SILVER	E	1-2103247-5
SILVER	D	1-2103247-4
SILVER	B	1-2103247-2
SILVER	A	1-2103247-1
TIN	F	2103247-6
TIN	E	2103247-5
TIN	D	2103247-4
TIN	B	2103247-2
TIN	A	2103247-1

THIS DRAWING IS A CONTROLLED DOCUMENT.

OWN	A DEHAZAL	ZOMAR2012
CHK	A DEHAZAL	ZOMAR2012
APVD	A DEHAZAL	ZOMAR2012

TE Connectivity

NAME: SPLIT HEADER ASSY, HVA 280 2P  
 W/HVIL - PLASTIC  
 CHART DRAWING

SIZE: A1  
 CAGE CODE: 00779  
 DRAWING NO: 2103247

RESTRICTED TO: -

CUSTOMER DRAWING

SCALE: 2:1 SHEET 1 OF 2 REV: A2

REVISIONS					
P	CLM	DESCRIPTION	DATE	OWN	APVD
-	-	SEE SHEET 1	-	-	-

	X-2103247-1 (KEY A)	X-2103247-2 (KEY B)	X-2103247-4 (KEY D)	X-2103247-5 (KEY E)	X-2103247-6 (KEY F)
FRONT VIEW					
SIDE VIEW					
REAR VIEW					
INTERFACE VIEW - MOUNTING SIDE					
	KEY A MOUNTING INTERFACE	KEY B MOUNTING INTERFACE	KEY D MOUNTING INTERFACE	KEY E MOUNTING INTERFACE	KEY F MOUNTING INTERFACE

THIS DRAWING IS A CONTROLLED DOCUMENT.

OWN	A DEHAZAL	ZOMAR2012
CHK	A DEHAZAL	ZOMAR2012
APVD	A DEHAZAL	ZOMAR2012
PRODUCT SPEC		
APPLICATION SPEC		
WEIGHT		
CUSTOMER DRAWING		

**STE** TE Connectivity

NAME: SPLIT HEADER ASSY, HVA 280 2P  
 W/HVIL - PLASTIC  
 CHART DRAWING

SIZE: A1 CAGE CODE: 100779 DRAWING NO: 2103247 RESTRICTED TO: -

SCALE: 2:1 SHEET: 2 OF 2 REV: A2