



Chipsmall Limited consists of a professional team with an average of over 10 year of expertise in the distribution of electronic components. Based in Hongkong, we have already established firm and mutual-benefit business relationships with customers from,Europe,America and south Asia,supplying obsolete and hard-to-find components to meet their specific needs.

With the principle of "Quality Parts,Customers Priority,Honest Operation,and Considerate Service",our business mainly focus on the distribution of electronic components. Line cards we deal with include Microchip,ALPS,ROHM,Xilinx,Pulse,ON,Everlight and Freescale. Main products comprise IC,Modules,Potentiometer,IC Socket,Relay,Connector.Our parts cover such applications as commercial,industrial, and automotives areas.

We are looking forward to setting up business relationship with you and hope to provide you with the best service and solution. Let us make a better world for our industry!



Contact us

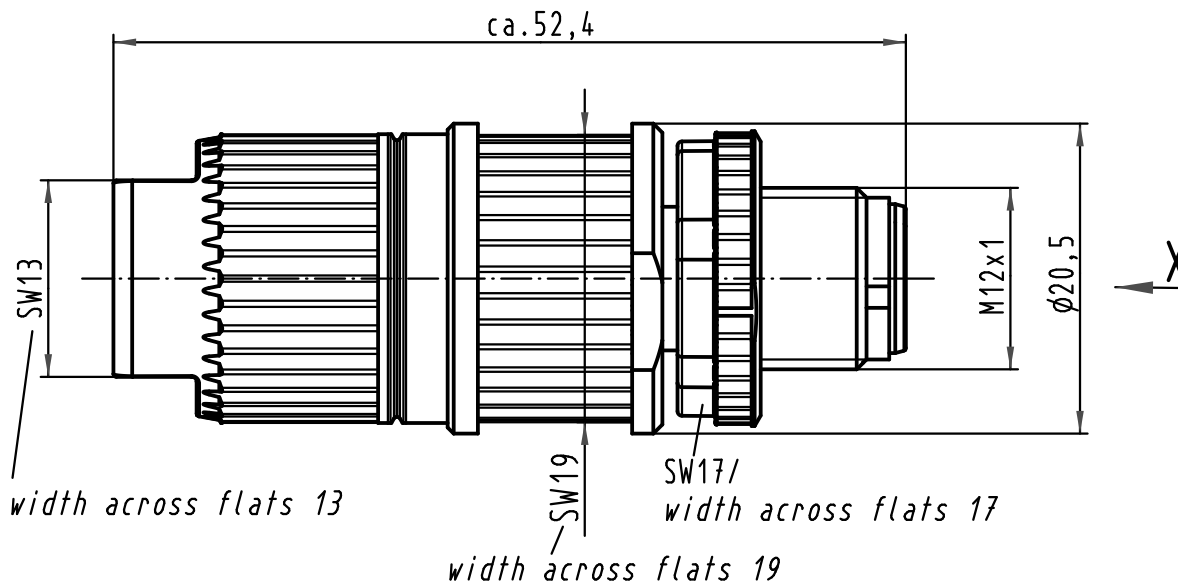
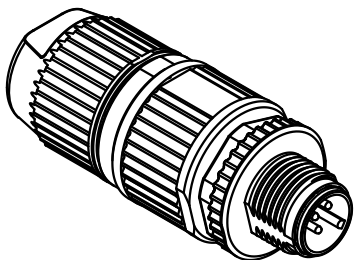
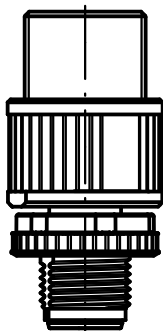
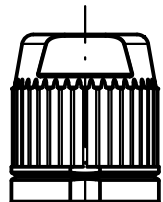
Tel: +86-755-8981 8866 Fax: +86-755-8427 6832

Email & Skype: info@chipsmall.com Web: www.chipsmall.com

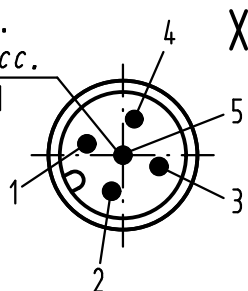
Address: A1208, Overseas Decoration Building, #122 Zhenhua RD., Futian, Shenzhen, China



1:1



Steckgesicht n.
Contact face acc.
IEC 61076-2-101



Leiterquerschnitt conductor cross section	0,34 - 0,5mm ² AWG22-AWG20
Kabeldurchmesser cable outside diameter	6 - 8mm schwarz/black

	All Dimensions in mm Original Size DIN A 4			Techn. Character.		
				Dat.	Name	Maßstab/Scale 2:1
			Detail.	19.04.06	DY	
			Insp.		SP	
			Stand.			
EC01896	18.05.10	DY	HARTING Electronics GmbH & Co. KG D-32339 ESPELKAMP			
412800	19.03.07	DY				
411702						
Mod.	Dat.	Name				

Nicht tolerierte Maße/Free size tolerances	
Rundsteckverbinder M12-L/ Circular connector M12-L 5polig Stift A-kodiert 5poles male A-coded	
TB 21 03 272 1505	Blatt/ page
Sub.	