



Chipsmall Limited consists of a professional team with an average of over 10 year of expertise in the distribution of electronic components. Based in Hongkong, we have already established firm and mutual-benefit business relationships with customers from,Europe,America and south Asia,supplying obsolete and hard-to-find components to meet their specific needs.

With the principle of "Quality Parts,Customers Priority,Honest Operation,and Considerate Service",our business mainly focus on the distribution of electronic components. Line cards we deal with include Microchip,ALPS,ROHM,Xilinx,Pulse,ON,Everlight and Freescale. Main products comprise IC,Modules,Potentiometer,IC Socket,Relay,Connector.Our parts cover such applications as commercial,industrial, and automotives areas.

We are looking forward to setting up business relationship with you and hope to provide you with the best service and solution. Let us make a better world for our industry!



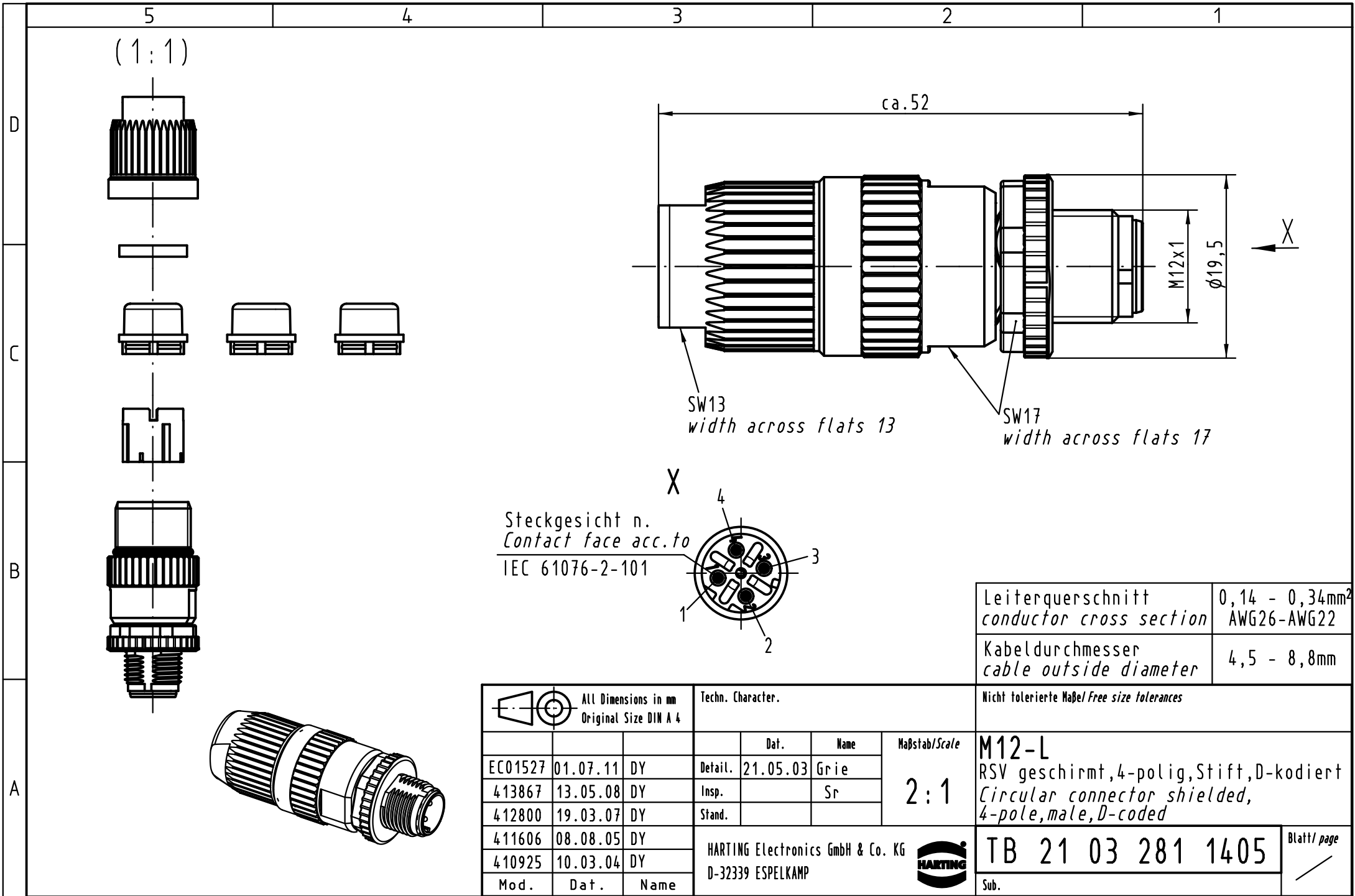
Contact us

Tel: +86-755-8981 8866 Fax: +86-755-8427 6832

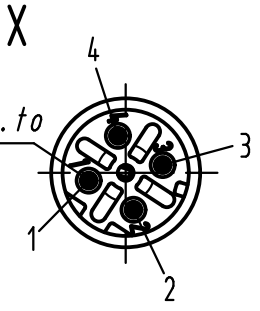
Email & Skype: info@chipsmall.com Web: www.chipsmall.com

Address: A1208, Overseas Decoration Building, #122 Zhenhua RD., Futian, Shenzhen, China





Steckgesicht n.
Contact face acc. to
IEC 61076-2-101



Leiterquerschnitt conductor cross section	0,14 - 0,34mm ² AWG26-AWG22
Kabeldurchmesser cable outside diameter	4,5 - 8,8mm

All Dimensions in mm Original Size DIN A 4			Techn. Character.			Maßstab/Scale 2:1
			Dat.	Name		
EC01527	01.07.11	DY	Detail.	21.05.03	Grie	
413867	13.05.08	DY	Insp.		Sr	
412800	19.03.07	DY	Stand.			
411606	08.08.05	DY	HARTING Electronics GmbH & Co. KG			
410925	10.03.04	DY	D-32339 ESPELKAMP			
Mod.	Dat.	Name				

Nicht tolerierte Maße/Free size tolerances	
M12-L	
RSV geschirmt, 4-polig, Stift, D-kodiert Circular connector shielded, 4-pole, male, D-coded	
TB 21 03 281 1405	Blatt/ page
Sub.	