



Chipsmall Limited consists of a professional team with an average of over 10 year of expertise in the distribution of electronic components. Based in Hongkong, we have already established firm and mutual-benefit business relationships with customers from,Europe,America and south Asia,supplying obsolete and hard-to-find components to meet their specific needs.

With the principle of “Quality Parts,Customers Priority,Honest Operation,and Considerate Service”,our business mainly focus on the distribution of electronic components. Line cards we deal with include Microchip,ALPS,ROHM,Xilinx,Pulse,ON,Everlight and Freescale. Main products comprise IC,Modules,Potentiometer,IC Socket,Relay,Connector.Our parts cover such applications as commercial,industrial, and automotives areas.

We are looking forward to setting up business relationship with you and hope to provide you with the best service and solution. Let us make a better world for our industry!



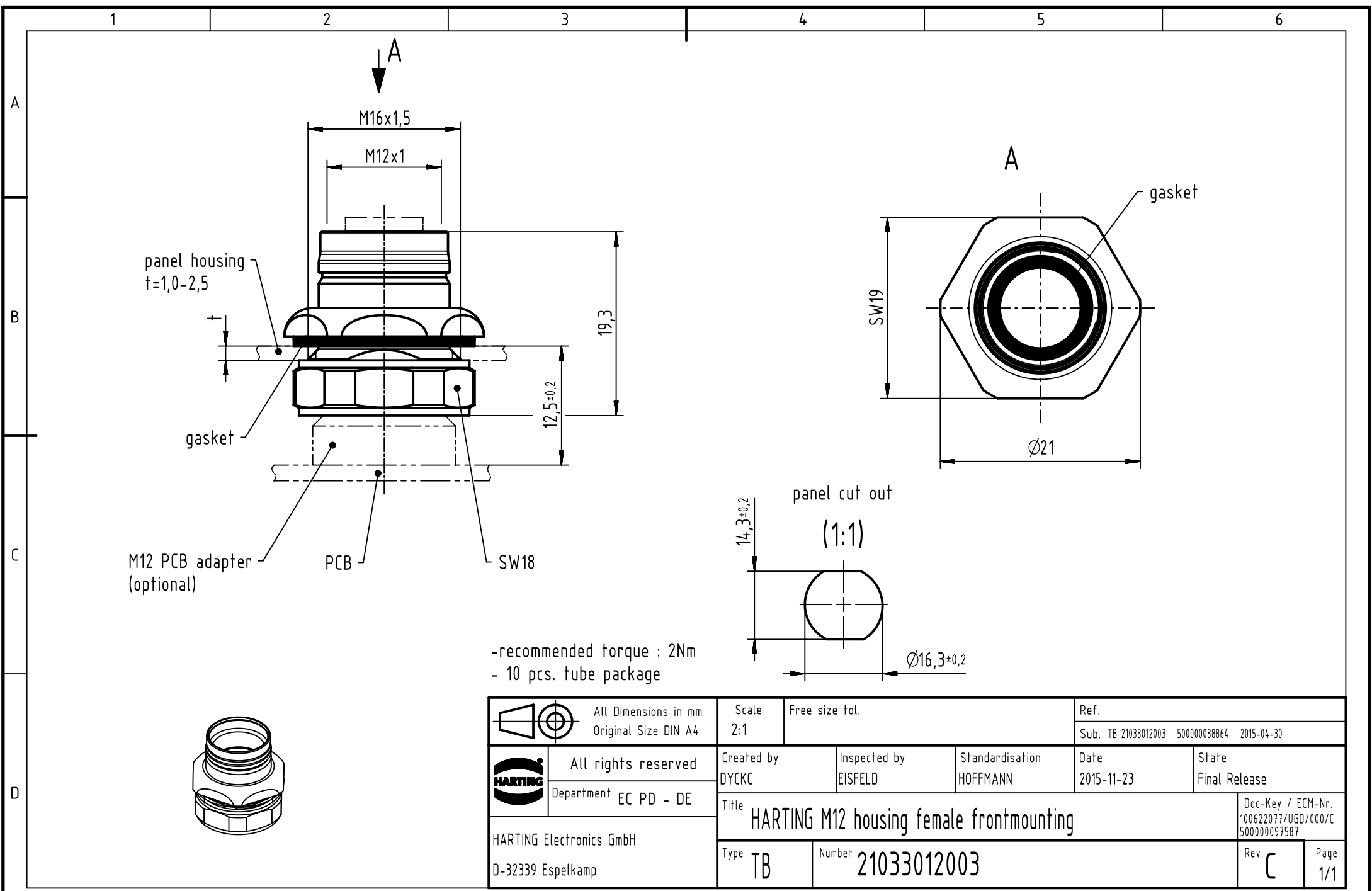
## Contact us

Tel: +86-755-8981 8866 Fax: +86-755-8427 6832


Email & Skype: info@chipsmall.com Web: www.chipsmall.com

Address: A1208, Overseas Decoration Building, #122 Zhenhua RD., Futian, Shenzhen, China





-recommended torque : 2Nm  
 - 10 pcs. tube package

	All Dimensions in mm Original Size DIN A4		Scale 2:1	Free size tol.		Ref. Sub. TB 21033012003 500000088864 2015-04-30	
	All rights reserved Department EC PD - DE		Created by DYCKC	Inspected by EISFELD	Standardisation HOFFMANN	Date 2015-11-23	State Final Release
HARTING Electronics GmbH D-32339 Espelkamp			Title HARTING M12 housing female frontmounting			Doc-Key / ECM-Nr. 100622077/UGD/000/C 500000097587	
			Type TB	Number 21033012003		Rev. C	Page 1/1