



Chipsmall Limited consists of a professional team with an average of over 10 year of expertise in the distribution of electronic components. Based in Hongkong, we have already established firm and mutual-benefit business relationships with customers from,Europe,America and south Asia,supplying obsolete and hard-to-find components to meet their specific needs.

With the principle of “Quality Parts,Customers Priority,Honest Operation,and Considerate Service”,our business mainly focus on the distribution of electronic components. Line cards we deal with include Microchip,ALPS,ROHM,Xilinx,Pulse,ON,Everlight and Freescale. Main products comprise IC,Modules,Potentiometer,IC Socket,Relay,Connector.Our parts cover such applications as commercial,industrial, and automotives areas.

We are looking forward to setting up business relationship with you and hope to provide you with the best service and solution. Let us make a better world for our industry!



Contact us

Tel: +86-755-8981 8866 Fax: +86-755-8427 6832

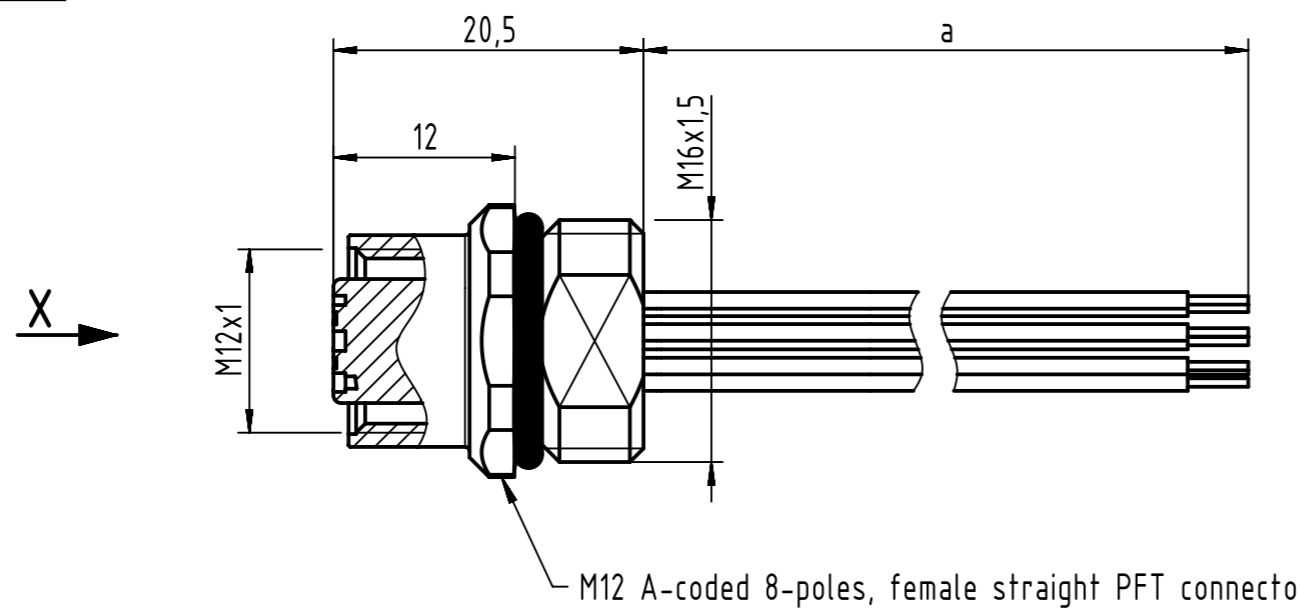
Email & Skype: info@chipsmall.com Web: www.chipsmall.com

Address: A1208, Overseas Decoration Building, #122 Zhenhua RD., Futian, Shenzhen, China

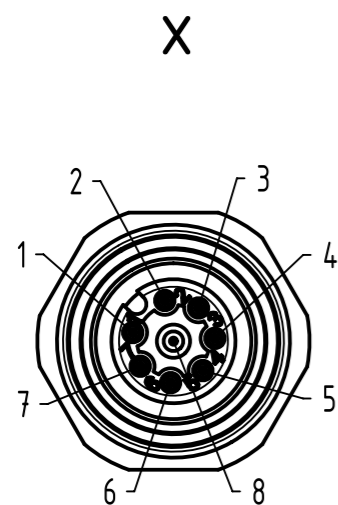


Connector Location A

Connector Location B



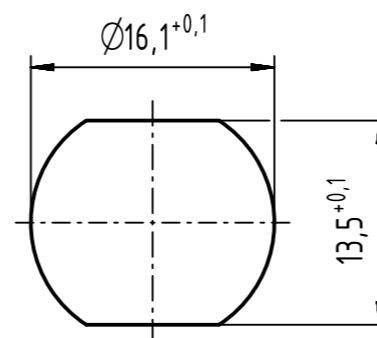
M12 A-coded 8-poles, female straight PFT connector



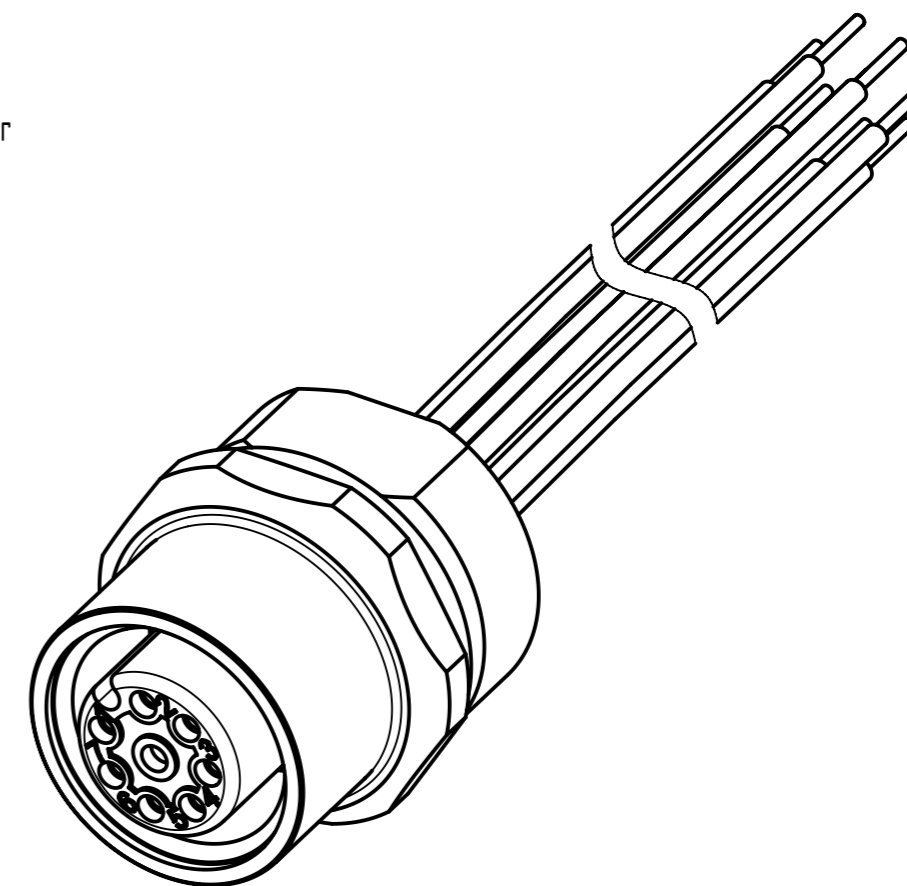
Loading plan:

- 1 white
- 2 brown
- 3 green
- 4 yellow
- 5 grey
- 6 pink
- 7 blue
- 8 red

Recommended panel cut-out



minimum wall thickness 1.5mm



- Protection level: IP 65/67
- Temperature range: -30°C ... +80°C
- Order lock nut separately

| | | | |
|-----------|-------------|---------------|-----------|
| 2 | 21033176810 | AWG 24, PVC | 1.0 |
| 1 | 21033176805 | | 0.5 |
| Cont. No. | Part - no. | Type of cable | Dim. a[m] |

| | | | | | | | | |
|--------------------------|-----------------------|----------------------------------|--------------------|--------------------|--------------------------|--|---------------------------------|--|
| | All rights reserved | | Tech. Character. | | Free size tol. | | According to production drawing | |
| | Department EC PD - RO | | Created by TAMAS | Inspected by AVRAM | Standardisation SCHREIER | Date 2017-07-28 | State Final Release | |
| HARTING Electronics GmbH | | Title M12 A-coded Cable Assembly | | | | Doc-Key / ECM-Nr. 100581423/UGD/009/E 500000122985 | | |
| D-32339 Espelkamp | | Type TB | Number 210331768XX | | | Rev. E | Page 1/1 | |