



Chipsmall Limited consists of a professional team with an average of over 10 year of expertise in the distribution of electronic components. Based in Hongkong, we have already established firm and mutual-benefit business relationships with customers from,Europe,America and south Asia,supplying obsolete and hard-to-find components to meet their specific needs.

With the principle of “Quality Parts,Customers Priority,Honest Operation,and Considerate Service”,our business mainly focus on the distribution of electronic components. Line cards we deal with include Microchip,ALPS,ROHM,Xilinx,Pulse,ON,Everlight and Freescale. Main products comprise IC,Modules,Potentiometer,IC Socket,Relay,Connector.Our parts cover such applications as commercial,industrial, and automotives areas.

We are looking forward to setting up business relationship with you and hope to provide you with the best service and solution. Let us make a better world for our industry!



Contact us

Tel: +86-755-8981 8866 Fax: +86-755-8427 6832

Email & Skype: info@chipsmall.com Web: www.chipsmall.com

Address: A1208, Overseas Decoration Building, #122 Zhenhua RD., Futian, Shenzhen, China



1 2 3 4 5 6

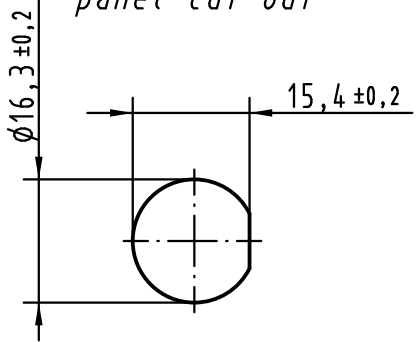
A

B

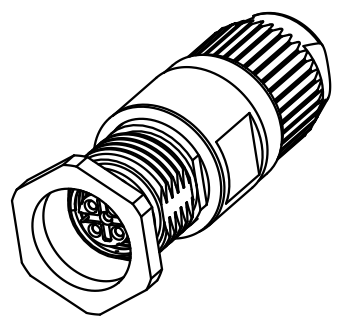
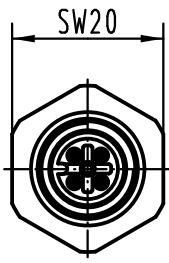
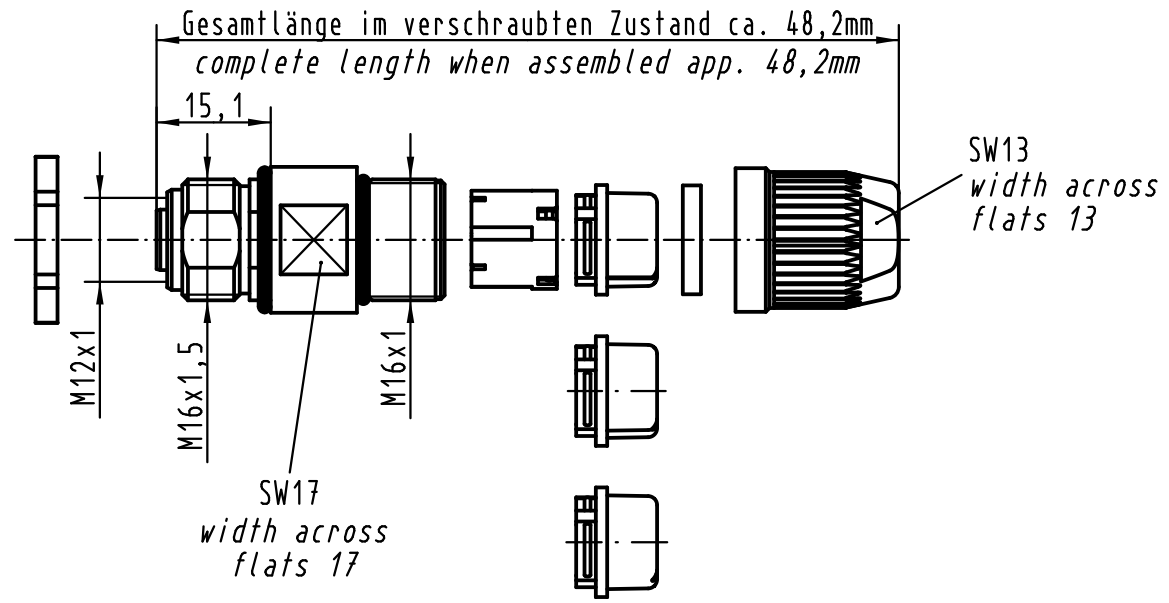
C

D

Montageausschnitt/
panel cut out



Steckgesicht nach
contact face acc.
IEC 61076-2-101



Kabel \varnothing / cable \varnothing			Leiterquerschnitt conductor cross section
5,5-7,2mm	4,5-5,4mm	7,0-8,8mm	
Dichtung / sealing			0,14 - 0,34mm ² AWG26-AWG22
schwarz/black	transparent	beige	

All Dimensions in mm Original Size DIN A 4			Techn. Character.			Nicht tolerierte Maßel Free size tolerances		
				Dat.	Name	Maßstab/Scale 1:1	M12 IDC WDF geschirmt, Buchse, 4polig, A-kodiert Panel feed through shielded, female, 4poles, A-coded	
			Detail.	29.08.07	Ho			
EC02795	28.01.11	DY	Insp.		SUN			
414313	13.02.09	DY	Stand.					
413789	07.04.08	DY	HARTING Electronics GmbH & Co. KG			TB 21 03 321 2425	Blatt/ page	
413163			D-32339 ESPELKAMP					
Mod.	Dat.	Name				Sub.		