



Chipsmall Limited consists of a professional team with an average of over 10 year of expertise in the distribution of electronic components. Based in Hongkong, we have already established firm and mutual-benefit business relationships with customers from,Europe,America and south Asia,supplying obsolete and hard-to-find components to meet their specific needs.

With the principle of “Quality Parts,Customers Priority,Honest Operation,and Considerate Service”,our business mainly focus on the distribution of electronic components. Line cards we deal with include Microchip,ALPS,ROHM,Xilinx,Pulse,ON,Everlight and Freescale. Main products comprise IC,Modules,Potentiometer,IC Socket,Relay,Connector.Our parts cover such applications as commercial,industrial, and automotives areas.

We are looking forward to setting up business relationship with you and hope to provide you with the best service and solution. Let us make a better world for our industry!



Contact us

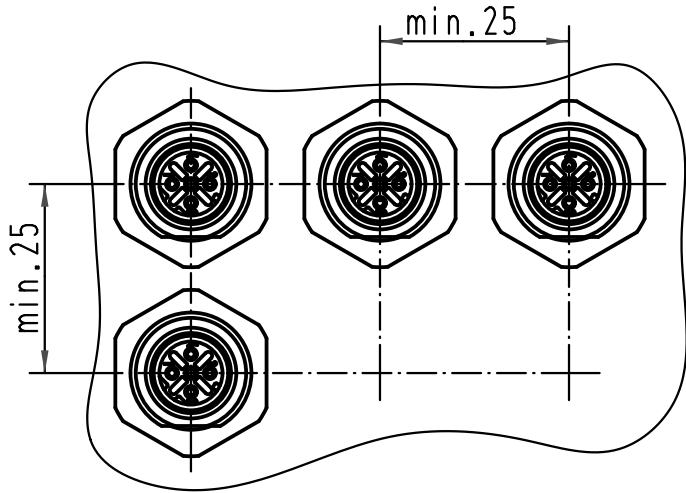
Tel: +86-755-8981 8866 Fax: +86-755-8427 6832

Email & Skype: info@chipsmall.com Web: www.chipsmall.com

Address: A1208, Overseas Decoration Building, #122 Zhenhua RD., Futian, Shenzhen, China

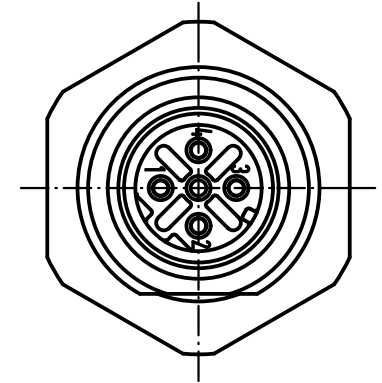
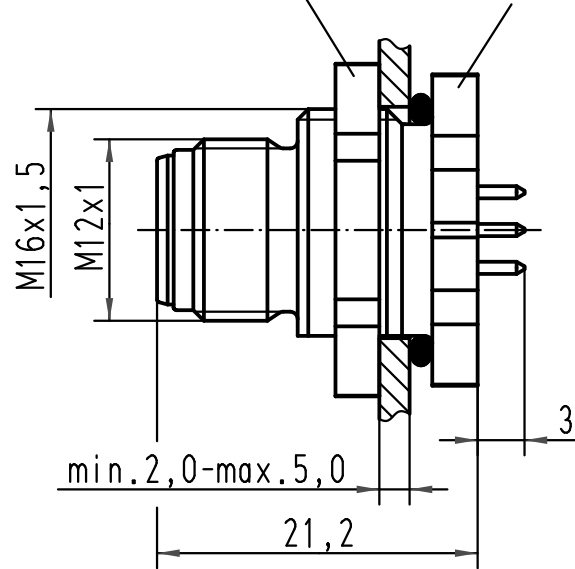


Steckverbinderanordnung/
connector layout

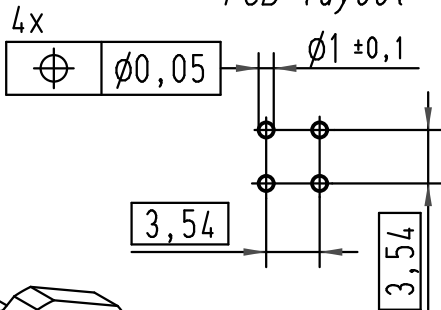


SW20/
width across flats 20

SW19/
width across flats 19

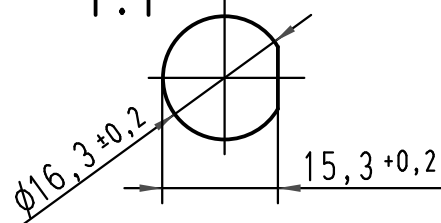


Leiterplatten Lochbild/
PCB layout

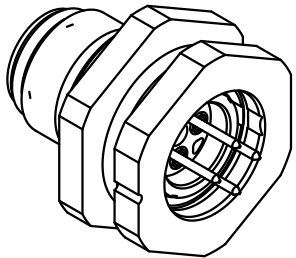


Montageausschnitt/ panel cut out

1:1



empfohlene Leiterplattendicke 1,6mm/recommended PCB thickness 1,6mm



All Dimensions in mm Original Size DIN A 4			Techn. Character.			Nicht tolerierte Maß/Free size tolerances		
				Dat.	Name	Maßstab/Scale 2:1 1:1	Wanddurchführung M12-M/ Panel feed through M12-M M16x1,5 D-kodiert 4-polig; M16x1,5 D-codet 4-poles	
			Detail.	14.08.07	Rull			
			Insp.		SR			
413920	09.06.08	DY	Stand.					
413598	11.02.08	DY	HARTING Electric GmbH & Co. KG				TB 21 03 371 1400	
413130			D-32339 Espelkamp					
Mod.	Dat.	Name					Blatt/page	
							Sub.	