



Chipsmall Limited consists of a professional team with an average of over 10 year of expertise in the distribution of electronic components. Based in Hongkong, we have already established firm and mutual-benefit business relationships with customers from,Europe,America and south Asia,supplying obsolete and hard-to-find components to meet their specific needs.

With the principle of “Quality Parts,Customers Priority,Honest Operation,and Considerate Service”,our business mainly focus on the distribution of electronic components. Line cards we deal with include Microchip,ALPS,ROHM,Xilinx,Pulse,ON,Everlight and Freescale. Main products comprise IC,Modules,Potentiometer,IC Socket,Relay,Connector.Our parts cover such applications as commercial,industrial, and automotives areas.

We are looking forward to setting up business relationship with you and hope to provide you with the best service and solution. Let us make a better world for our industry!



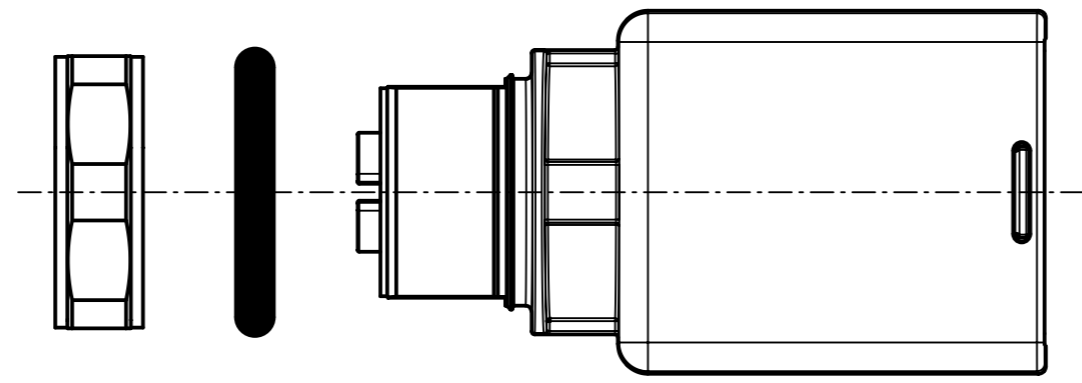
## Contact us

Tel: +86-755-8981 8866 Fax: +86-755-8427 6832

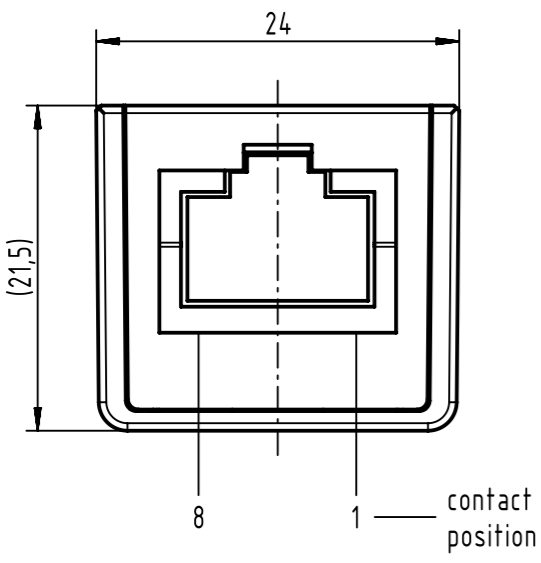
Email & Skype: info@chipsmall.com Web: www.chipsmall.com

Address: A1208, Overseas Decoration Building, #122 Zhenhua RD., Futian, Shenzhen, China

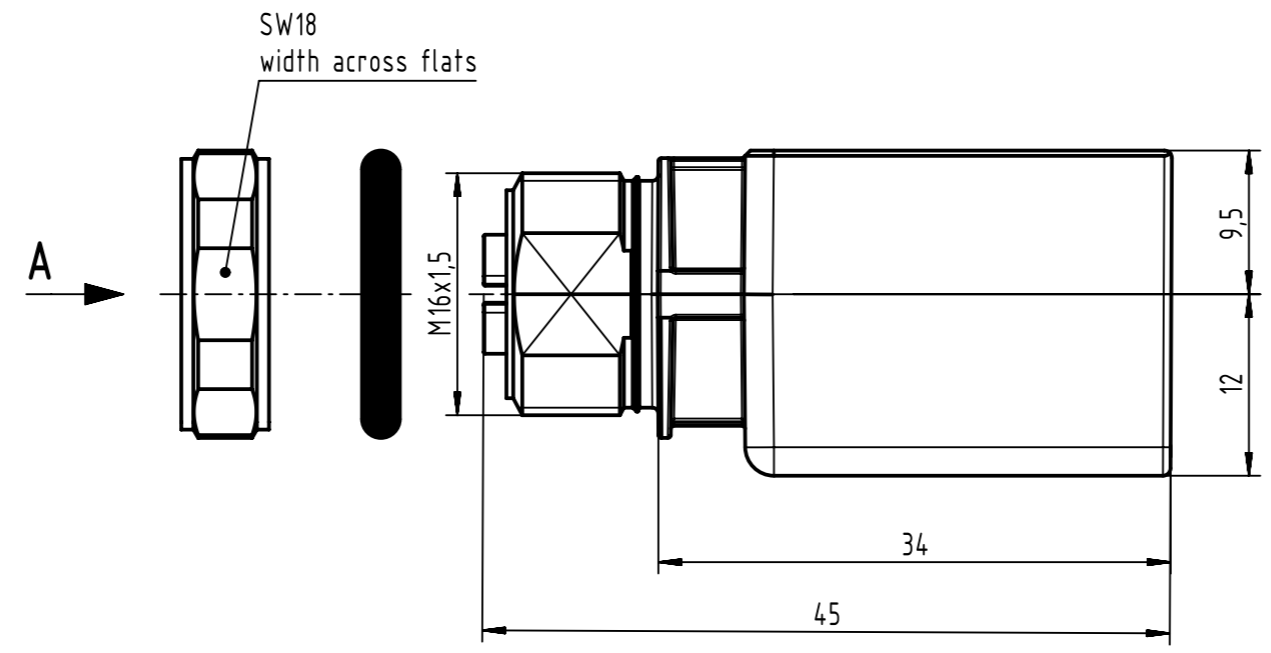
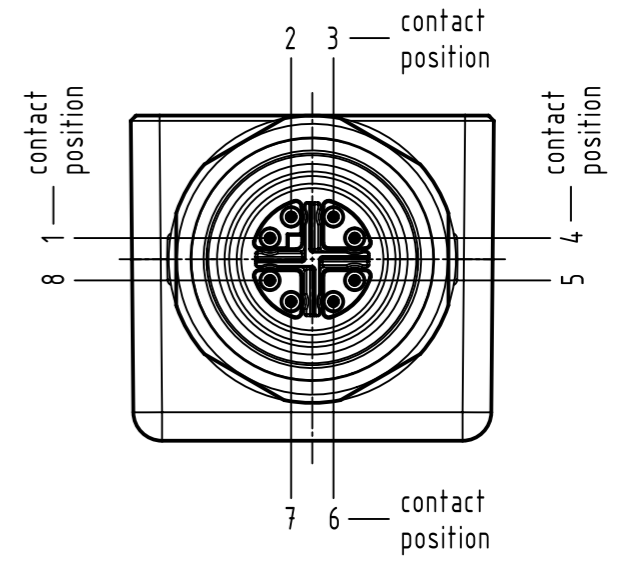




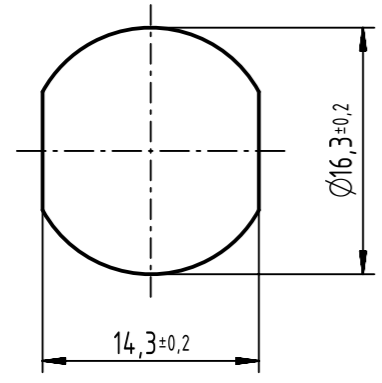
mating face acc. to IEC 60603-7



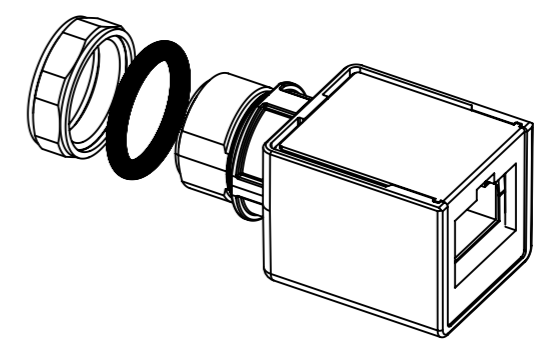
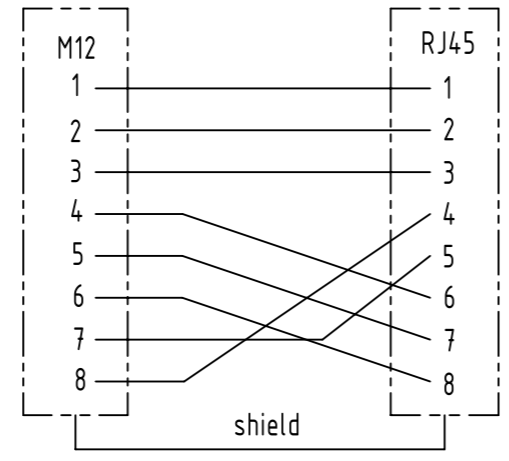
contact face acc. to IEC 61076-2-109



A  
panel cut-out



circuit diagram



	All rights reserved		Created by		Inspected by		Standardisation		Date		State		
	Department EC PD - DE		STORCK		WELLMANN		KOHLER		2015-08-05		Final Release		
HARTING Electronics GmbH		Title har-speed adapter M12-RJ45, straight										Doc-Key / ECM-Nr.	
D-32339 Espelkamp		Type TB		Number 21033812800				Rev. E		Page 1/1			
		All Dimensions in mm		Scale 2:1		Free size tol.		Ref.				Sub. 21033812800 500000092825 2014.09.26	
		Original Size DIN A3											