



Chipsmall Limited consists of a professional team with an average of over 10 year of expertise in the distribution of electronic components. Based in Hongkong, we have already established firm and mutual-benefit business relationships with customers from,Europe,America and south Asia,supplying obsolete and hard-to-find components to meet their specific needs.

With the principle of “Quality Parts,Customers Priority,Honest Operation,and Considerate Service”,our business mainly focus on the distribution of electronic components. Line cards we deal with include Microchip,ALPS,ROHM,Xilinx,Pulse,ON,Everlight and Freescale. Main products comprise IC,Modules,Potentiometer,IC Socket,Relay,Connector.Our parts cover such applications as commercial,industrial, and automotives areas.

We are looking forward to setting up business relationship with you and hope to provide you with the best service and solution. Let us make a better world for our industry!



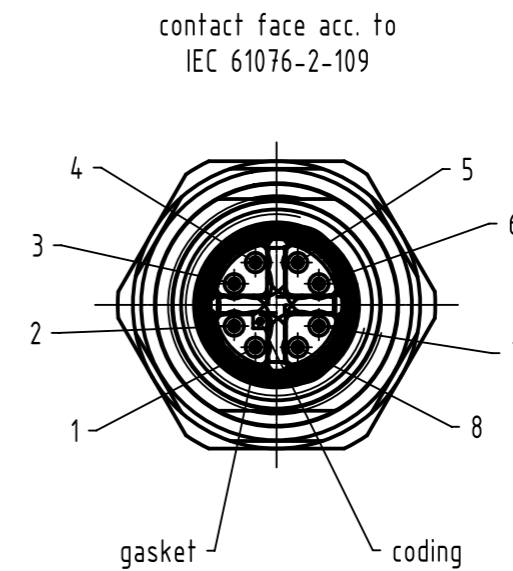
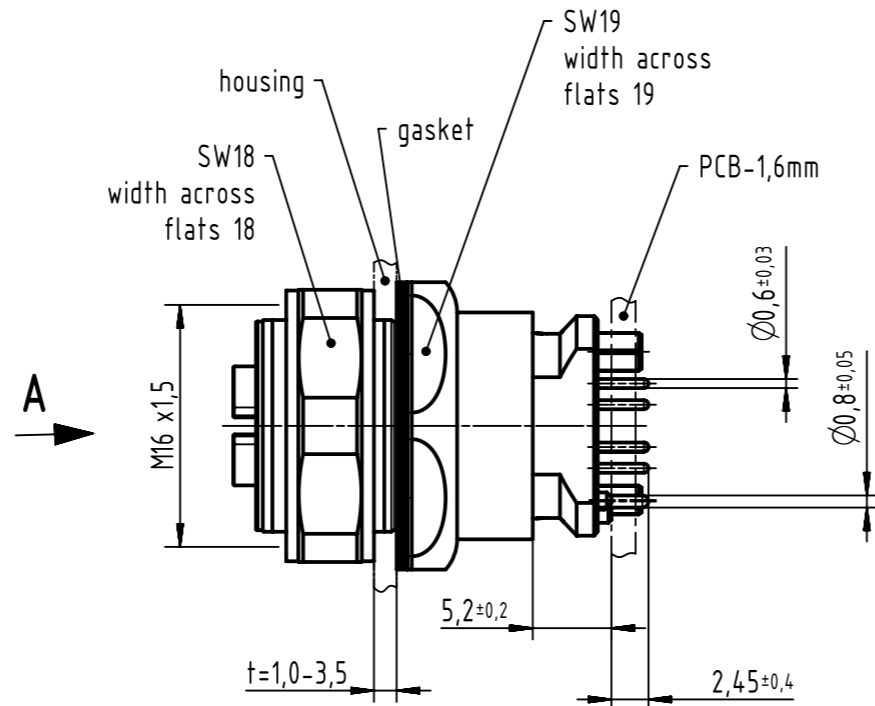
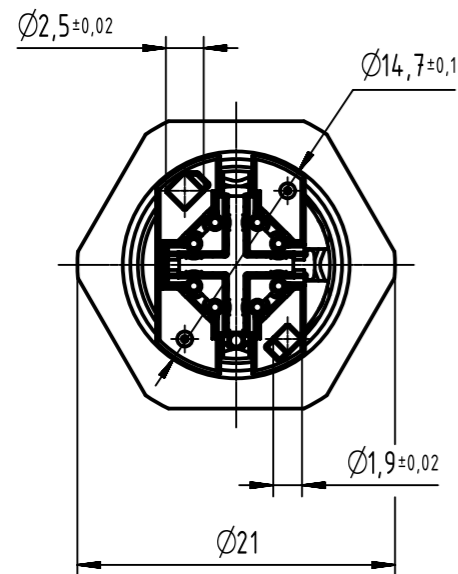
Contact us

Tel: +86-755-8981 8866 Fax: +86-755-8427 6832

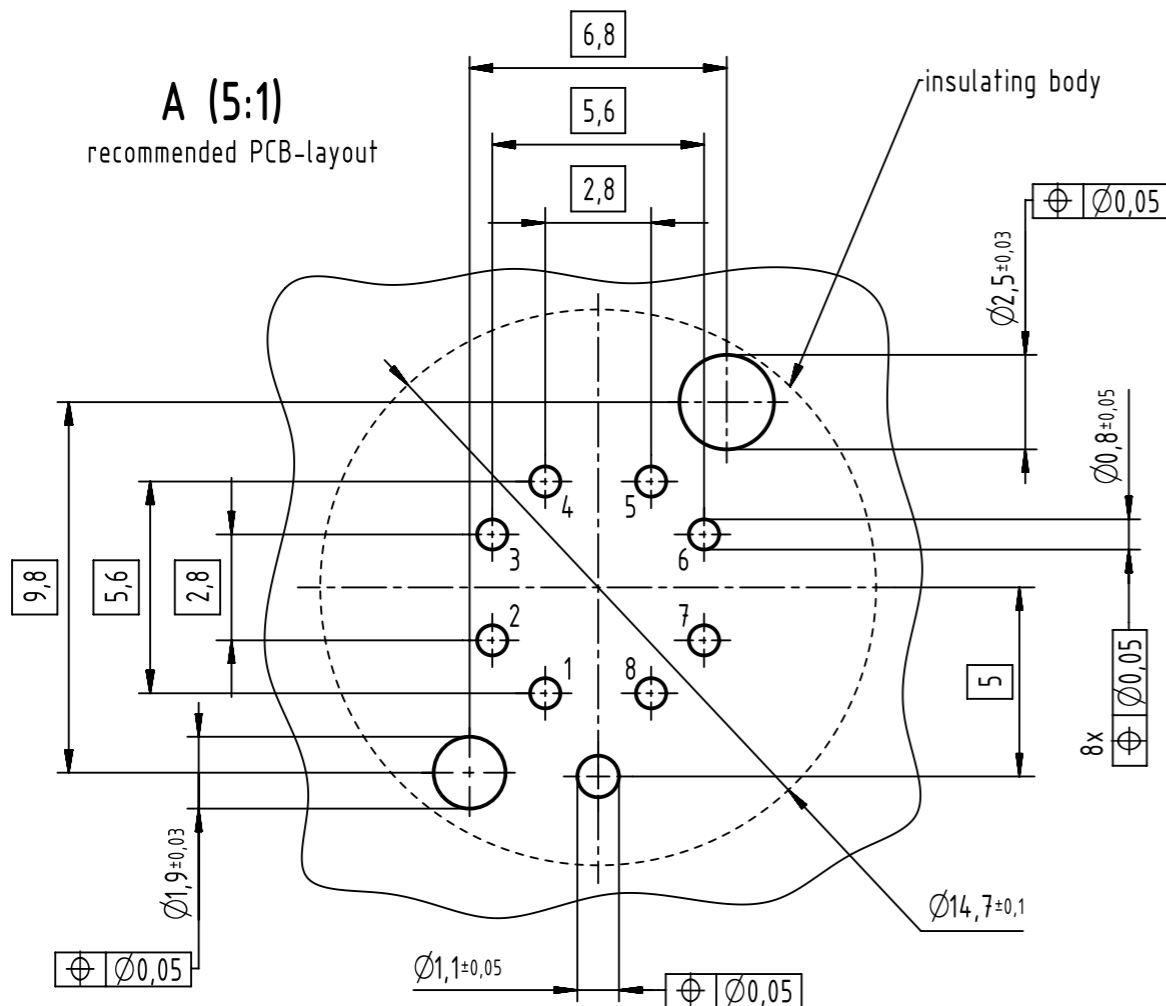
Email & Skype: info@chipsmall.com Web: www.chipsmall.com

Address: A1208, Overseas Decoration Building, #122 Zhenhua RD., Futian, Shenzhen, China

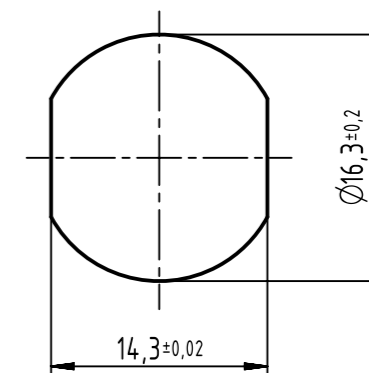




A (5:1)
recommended PCB-layout

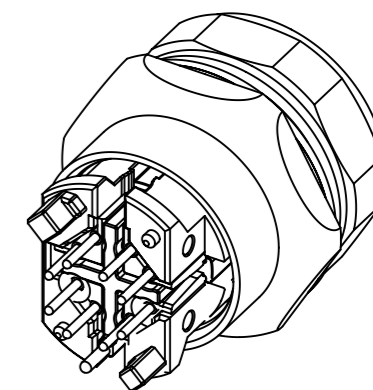


panel cut out



- 500 mating cycles acc. to DIN EN 60512-9-1
- design for reflow soldering
- 60 pcs. tray package

pin assignment		
pin	Signal	pair
1	TD1+	2
2	RD1-	2
3	TD2+	3
4	RD2-	3
5	TD4+	4
6	RD4-	4
7	RD3-	1
8	TD3+	1



	All rights reserved Department EC PD - DE	All Dimensions in mm Original Size DIN A3	Scale 2:1	Free size tol.	Ref. Sub. TB 2103381284 50000074641 2014-10-02
	HARTING Electronics GmbH D-32339 Espelkamp	Created by HELLMANN	Inspected by EISFELD	Standardisation HOFFMANN	Date 2016-05-10
Title har-speed M12 PCB Cat6A receptacle straight rear		Type TB		Number 21033812804	State Final Release
Doc-Key / ECM-Nr. 100230889/UGD/002/D 500000104078					Rev. D Page 1/1