



Chipsmall Limited consists of a professional team with an average of over 10 year of expertise in the distribution of electronic components. Based in Hongkong, we have already established firm and mutual-benefit business relationships with customers from,Europe,America and south Asia,supplying obsolete and hard-to-find components to meet their specific needs.

With the principle of “Quality Parts,Customers Priority,Honest Operation,and Considerate Service”,our business mainly focus on the distribution of electronic components. Line cards we deal with include Microchip,ALPS,ROHM,Xilinx,Pulse,ON,Everlight and Freescale. Main products comprise IC,Modules,Potentiometer,IC Socket,Relay,Connector.Our parts cover such applications as commercial,industrial, and automotives areas.

We are looking forward to setting up business relationship with you and hope to provide you with the best service and solution. Let us make a better world for our industry!



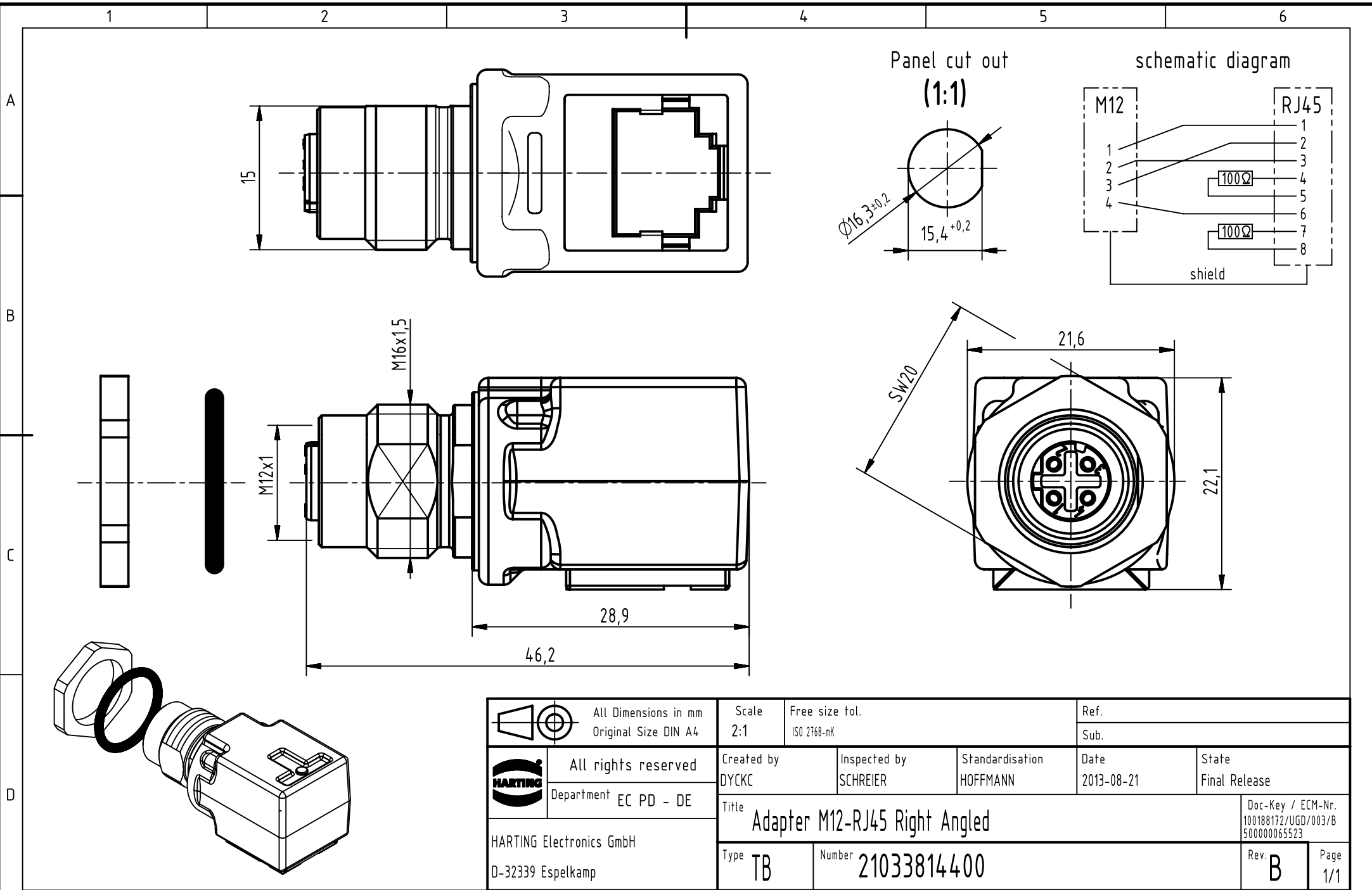
Contact us

Tel: +86-755-8981 8866 Fax: +86-755-8427 6832

Email & Skype: info@chipsmall.com Web: www.chipsmall.com

Address: A1208, Overseas Decoration Building, #122 Zhenhua RD., Futian, Shenzhen, China





	All Dimensions in mm Original Size DIN A4		Scale 2:1	Free size tol. ISO 2768-mK	Ref.	
					Sub.	
	All rights reserved Department EC PD - DE		Created by DYCKC	Inspected by SCHREIER	Standardisation HOFFMANN	
	HARTING Electronics GmbH D-32339 Espelkamp		Title Adapter M12-RJ45 Right Angled			Date 2013-08-21
		Type TB			Number 21033814400	State Final Release
					Doc-Key / ECM-Nr. 100188172/UGD/003/B 500000065523	
					Rev. B	Page 1/1