



Chipsmall Limited consists of a professional team with an average of over 10 year of expertise in the distribution of electronic components. Based in Hongkong, we have already established firm and mutual-benefit business relationships with customers from,Europe,America and south Asia,supplying obsolete and hard-to-find components to meet their specific needs.

With the principle of “Quality Parts,Customers Priority,Honest Operation,and Considerate Service”,our business mainly focus on the distribution of electronic components. Line cards we deal with include Microchip,ALPS,ROHM,Xilinx,Pulse,ON,Everlight and Freescale. Main products comprise IC,Modules,Potentiometer,IC Socket,Relay,Connector.Our parts cover such applications as commercial,industrial, and automotives areas.

We are looking forward to setting up business relationship with you and hope to provide you with the best service and solution. Let us make a better world for our industry!



Contact us

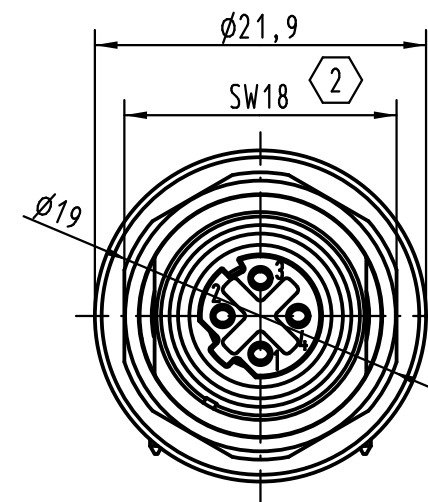
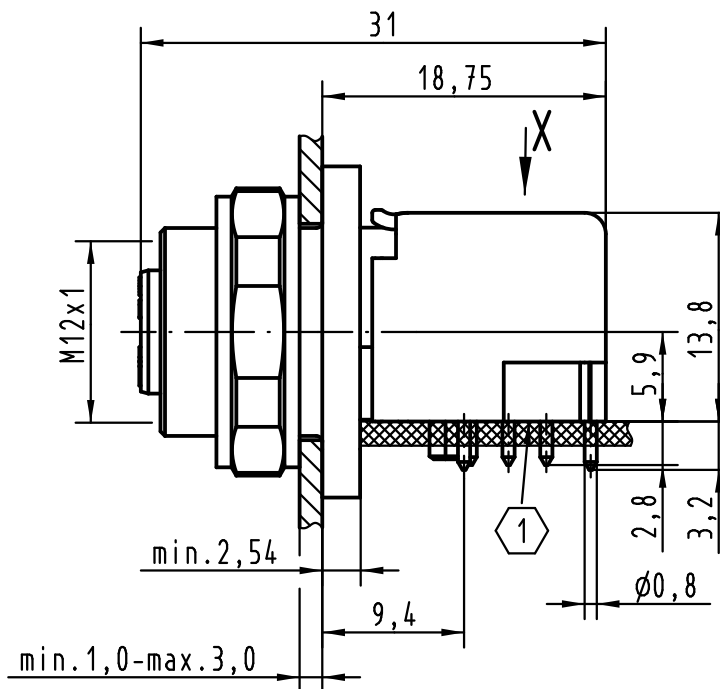
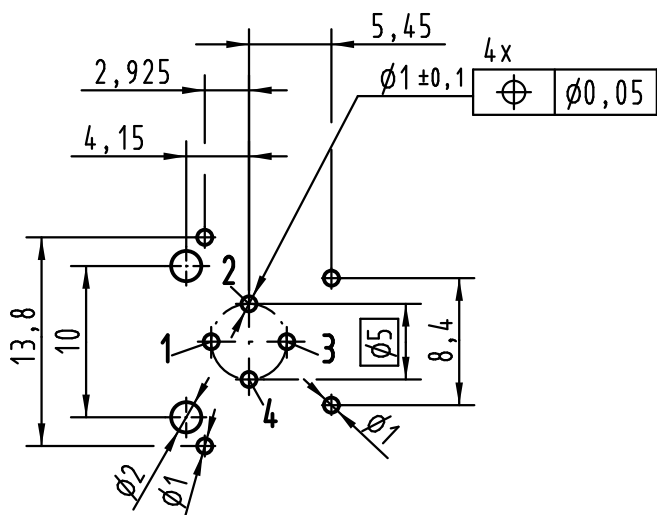
Tel: +86-755-8981 8866 Fax: +86-755-8427 6832

Email & Skype: info@chipsmall.com Web: www.chipsmall.com

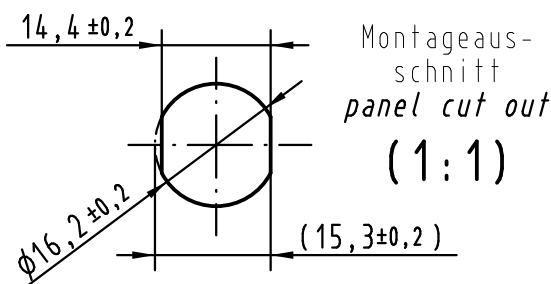
Address: A1208, Overseas Decoration Building, #122 Zhenhua RD., Futian, Shenzhen, China



X
Leiterplatten Lochbild
PCB layout

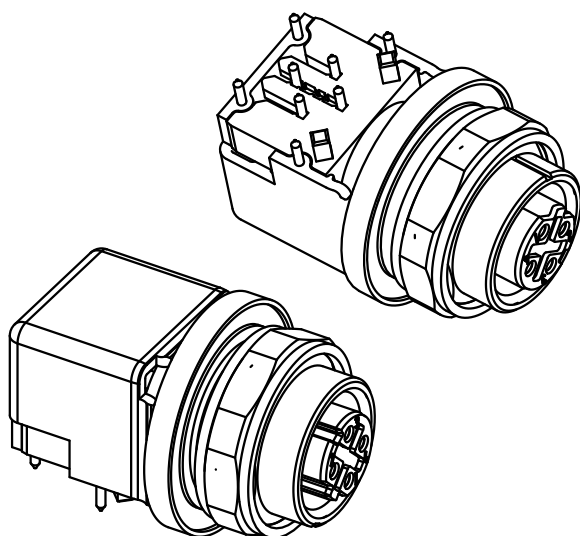


Kabelabgangsrichtung der
gewinkelten Steckverbinder
cable direction of
angled connectors



- ① Leiterplatte/ PCB
- ② SW18/width across flats 18

empfohlene Leiterplattenstärke: 1,6mm/
recommended PCB-thickness: 1,6mm



All Dimensions in mm Original Size DIN A 4			Techn. Character.			Nicht tolerierte Maßel Free size tolerances				
			Dat.	Name	Maßstab/Scale	M12 Gerätebuchse D-kodiert, gewinkelt, IP67 panel feed through D-coded, PCB angled, IP67				
EC04540	05.03.12	DY	Detail.	21.08.07				Ho	TB 21 03 381 4430	
EC04154	09.12.11	DY	Insp.					SP		
414307	02.02.09	DY	Stand.							
413598	11.02.08	DY	HARTING Electronics GmbH & Co. KG				Blatt/ page Sub.			
413143			D-32339 ESPELKAMP							
Mod.	Dat.	Name								