



Chipsmall Limited consists of a professional team with an average of over 10 year of expertise in the distribution of electronic components. Based in Hongkong, we have already established firm and mutual-benefit business relationships with customers from,Europe,America and south Asia,supplying obsolete and hard-to-find components to meet their specific needs.

With the principle of “Quality Parts,Customers Priority,Honest Operation,and Considerate Service”,our business mainly focus on the distribution of electronic components. Line cards we deal with include Microchip,ALPS,ROHM,Xilinx,Pulse,ON,Everlight and Freescale. Main products comprise IC,Modules,Potentiometer,IC Socket,Relay,Connector.Our parts cover such applications as commercial,industrial, and automotives areas.

We are looking forward to setting up business relationship with you and hope to provide you with the best service and solution. Let us make a better world for our industry!



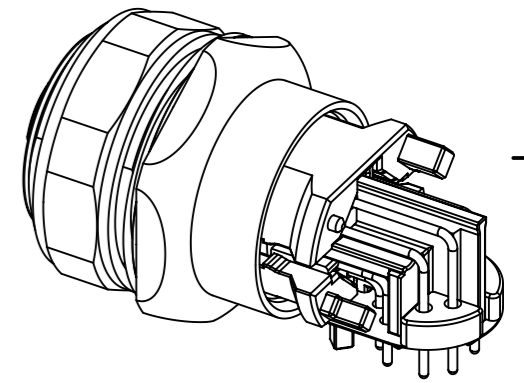
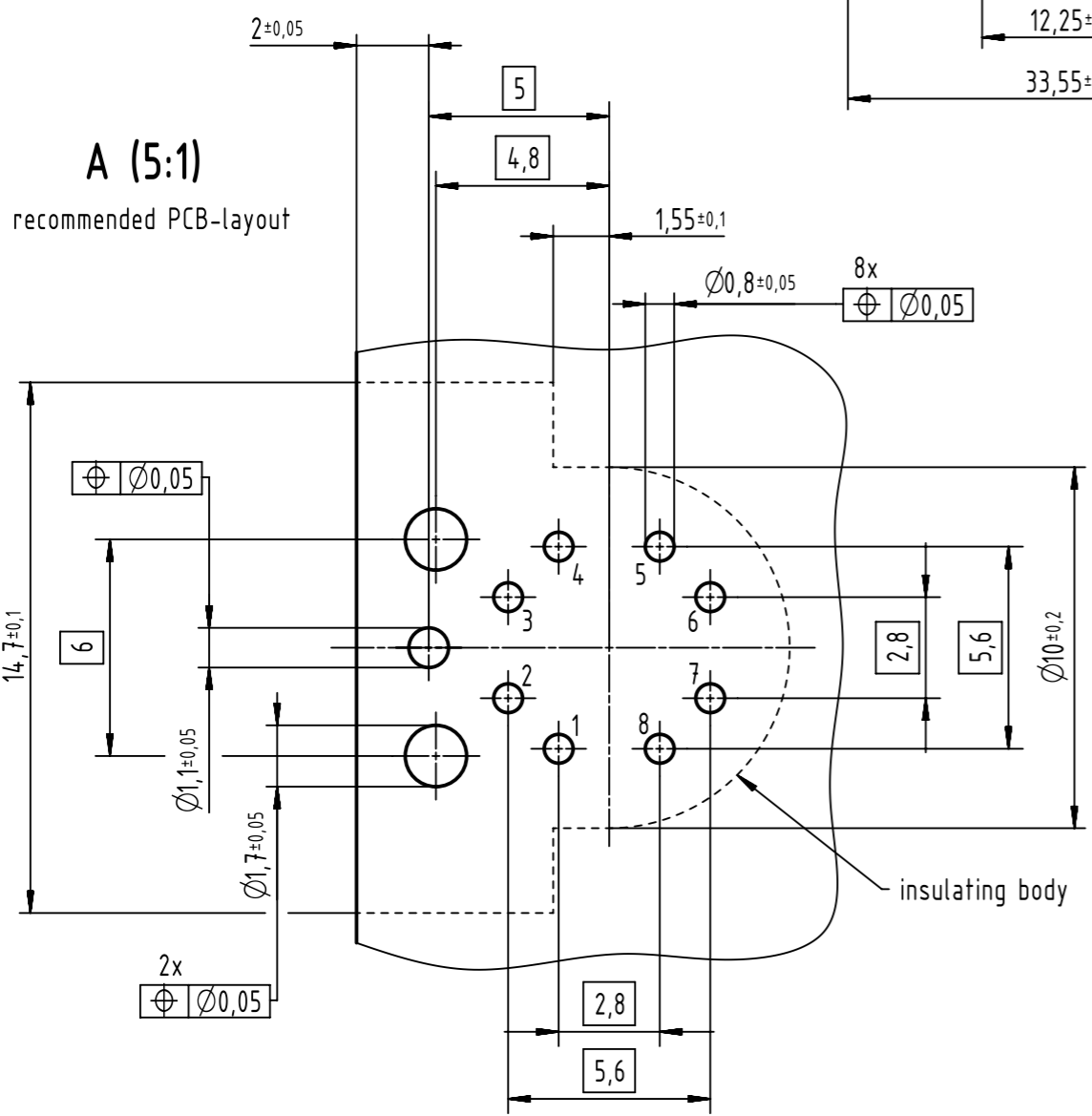
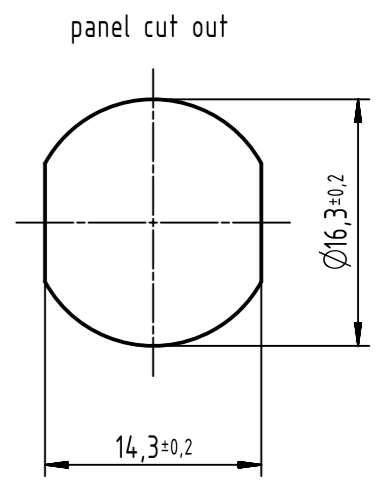
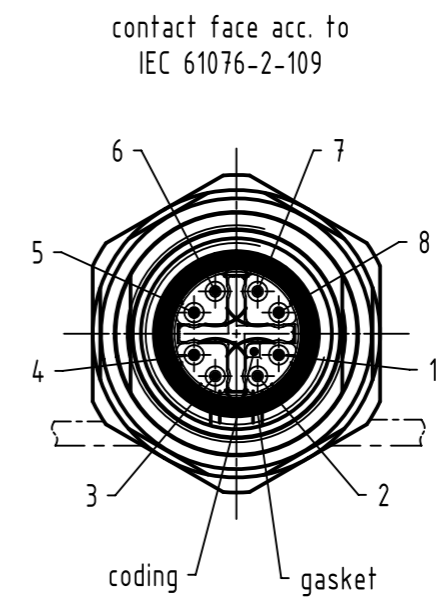
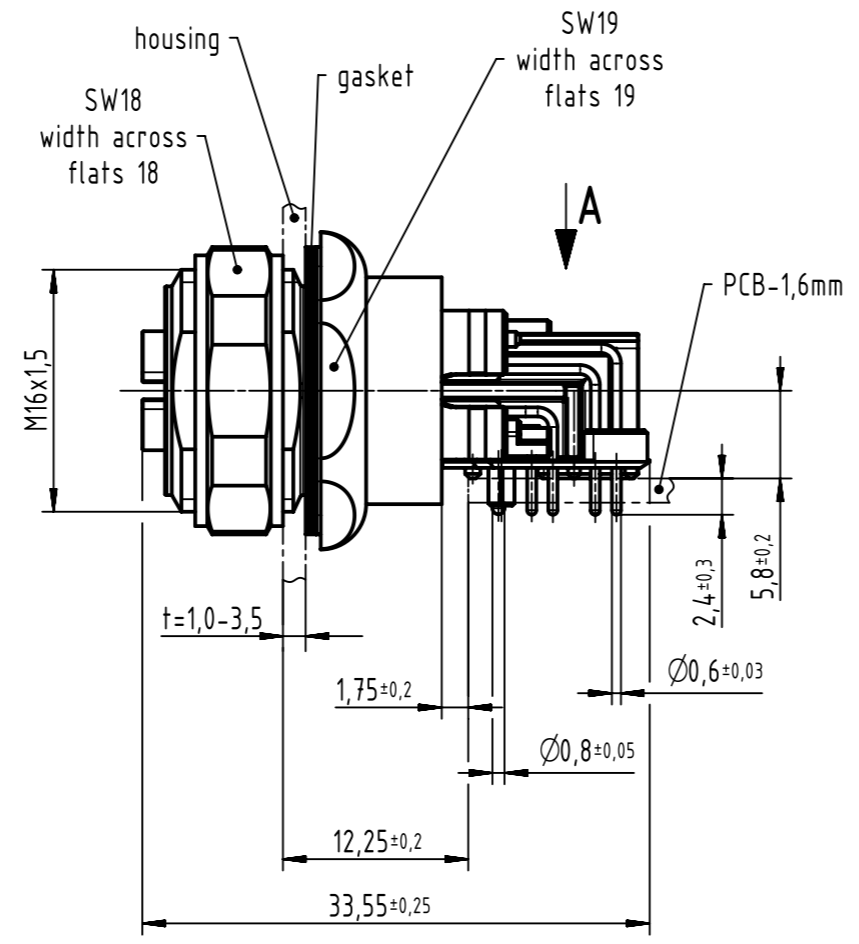
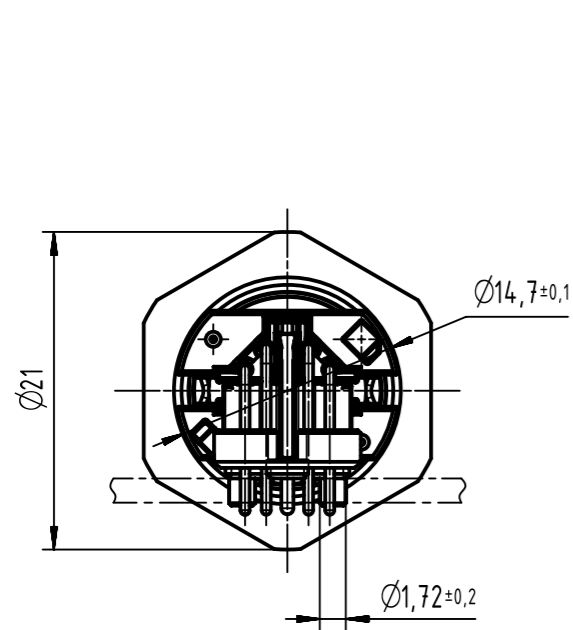
Contact us

Tel: +86-755-8981 8866 Fax: +86-755-8427 6832

Email & Skype: info@chipsmall.com Web: www.chipsmall.com

Address: A1208, Overseas Decoration Building, #122 Zhenhua RD., Futian, Shenzhen, China





- 500 mating cycles acc. to IEC 60512-9-1
- design for reflow soldering
- 30 pcs. tray package

pin assignment			
difference of contact length to pin 1	pin	signal	pair
0	1	TD1+	2
-2,8	2	RD1-	2
-2,8	3	TD2+	3
0	4	RD2-	3
+5,6	5	TD4+	4
+8,4	6	RD4-	4
+8,4	7	RD3-	1
+5,6	8	TD3+	1

	All rights reserved	Created by	Inspected by	Standardisation	Date	State	
	Department EC PD - DE	HELLMANN	EISFELD	HOFFMANN	2016-05-10	Final Release	
HARTING Electronics GmbH D-32339 Espelkamp		Title har-speed M12 PCB Cat6A recept. angled rear				Doc-Key / ECM-Nr. 100230890/UGD/002/E 500000104078	
		Type	Number		Rev.	Page	
		TB	21033814804		E	1/1	