



Chipsmall Limited consists of a professional team with an average of over 10 year of expertise in the distribution of electronic components. Based in Hongkong, we have already established firm and mutual-benefit business relationships with customers from,Europe,America and south Asia,supplying obsolete and hard-to-find components to meet their specific needs.

With the principle of “Quality Parts,Customers Priority,Honest Operation,and Considerate Service”,our business mainly focus on the distribution of electronic components. Line cards we deal with include Microchip,ALPS,ROHM,Xilinx,Pulse,ON,Everlight and Freescale. Main products comprise IC,Modules,Potentiometer,IC Socket,Relay,Connector.Our parts cover such applications as commercial,industrial, and automotives areas.

We are looking forward to setting up business relationship with you and hope to provide you with the best service and solution. Let us make a better world for our industry!



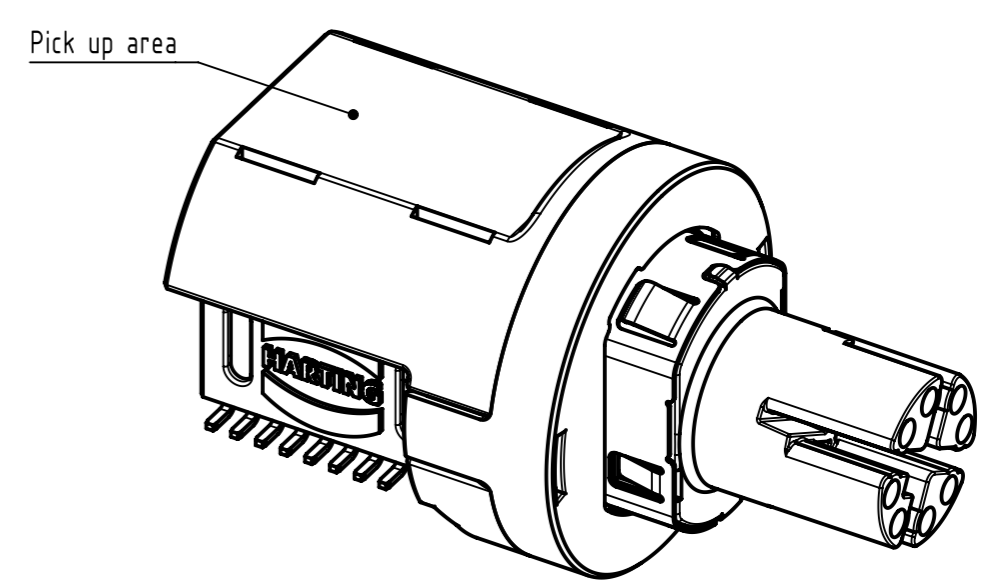
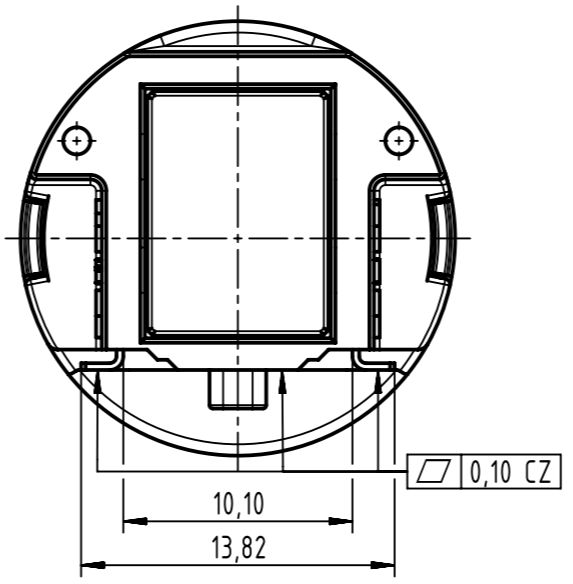
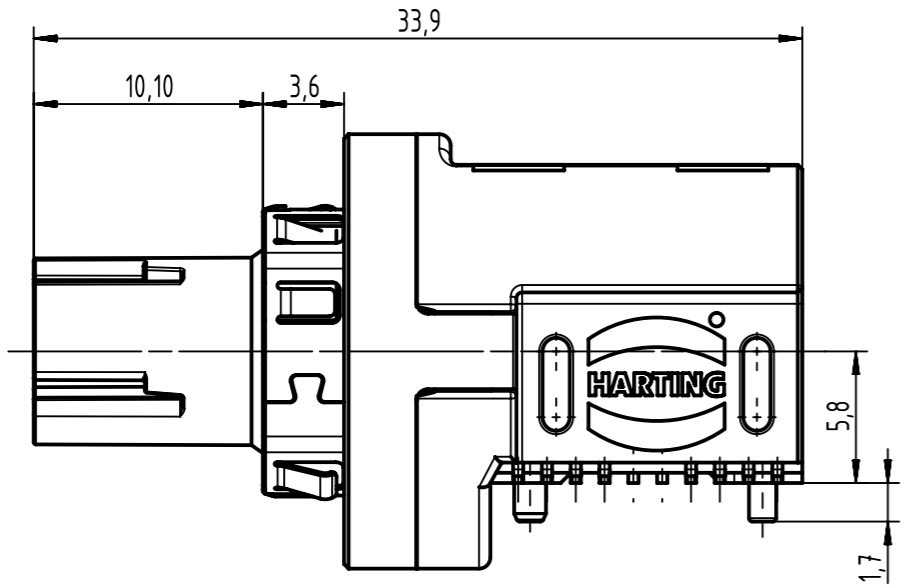
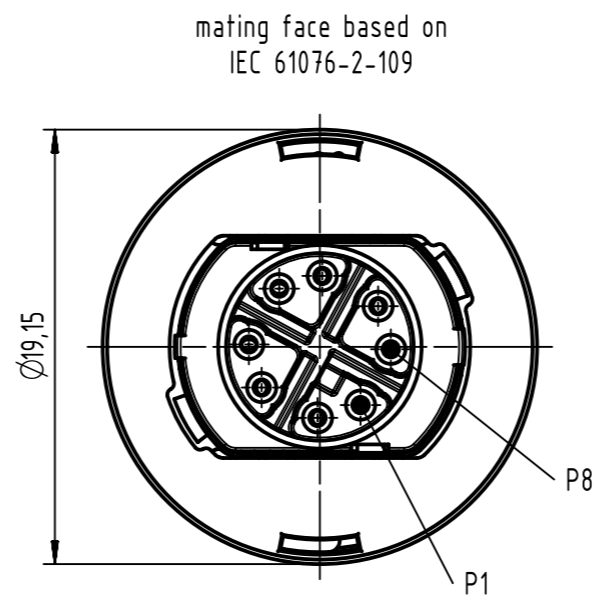
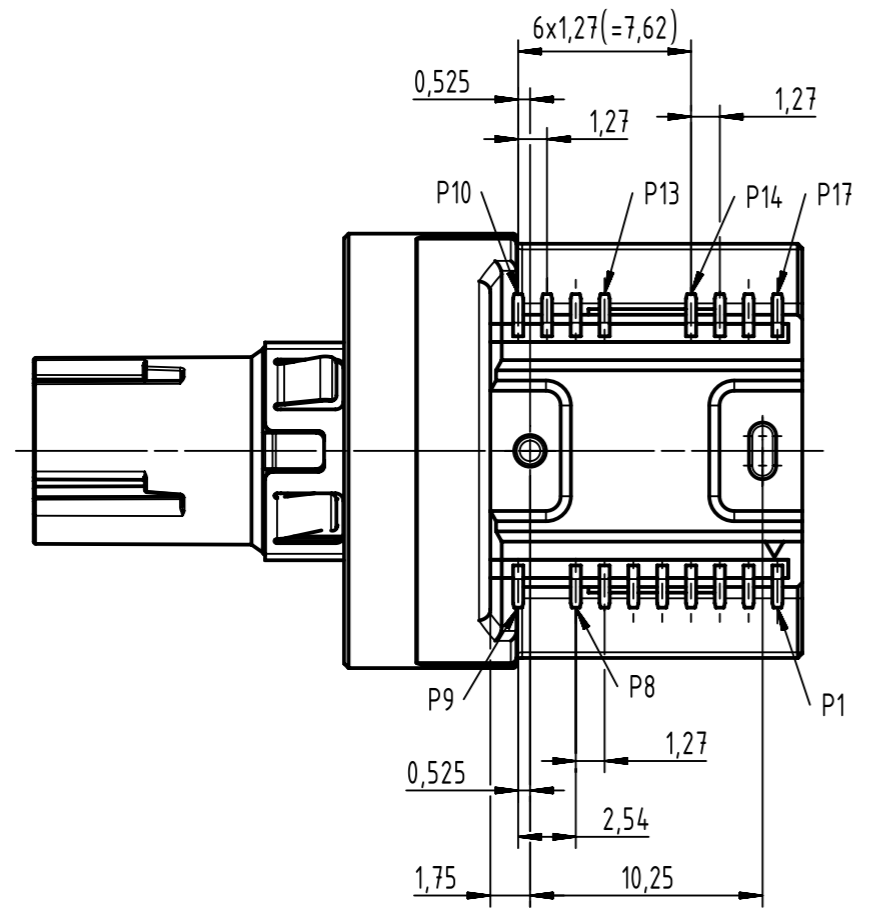
Contact us

Tel: +86-755-8981 8866 Fax: +86-755-8427 6832

Email & Skype: info@chipsmall.com Web: www.chipsmall.com

Address: A1208, Overseas Decoration Building, #122 Zhenhua RD., Futian, Shenzhen, China





Further information see data sheet: 21033810202

	All rights reserved Department EC PD - CN HARTING Electronics GmbH D-32339 Espelkamp	All Dimensions in mm Original Size DIN A3		Scale 2:1	Free size tol.	Ref. Sub.
		Created by CHENSK	Inspected by CHENSK	Standardisation HOFFMANN	Date 2017-05-24	State Final Release
Title M12 transformer recept X-coded 1G angled PoE+					Doc-Key / ECM-Nr. 100693074/UGD/003/B 500000117439	
Type TB		Number 21033814822			Rev. B	Page 1/1