



Chipsmall Limited consists of a professional team with an average of over 10 year of expertise in the distribution of electronic components. Based in Hongkong, we have already established firm and mutual-benefit business relationships with customers from,Europe,America and south Asia,supplying obsolete and hard-to-find components to meet their specific needs.

With the principle of “Quality Parts,Customers Priority,Honest Operation,and Considerate Service”,our business mainly focus on the distribution of electronic components. Line cards we deal with include Microchip,ALPS,ROHM,Xilinx,Pulse,ON,Everlight and Freescale. Main products comprise IC,Modules,Potentiometer,IC Socket,Relay,Connector.Our parts cover such applications as commercial,industrial, and automotives areas.

We are looking forward to setting up business relationship with you and hope to provide you with the best service and solution. Let us make a better world for our industry!



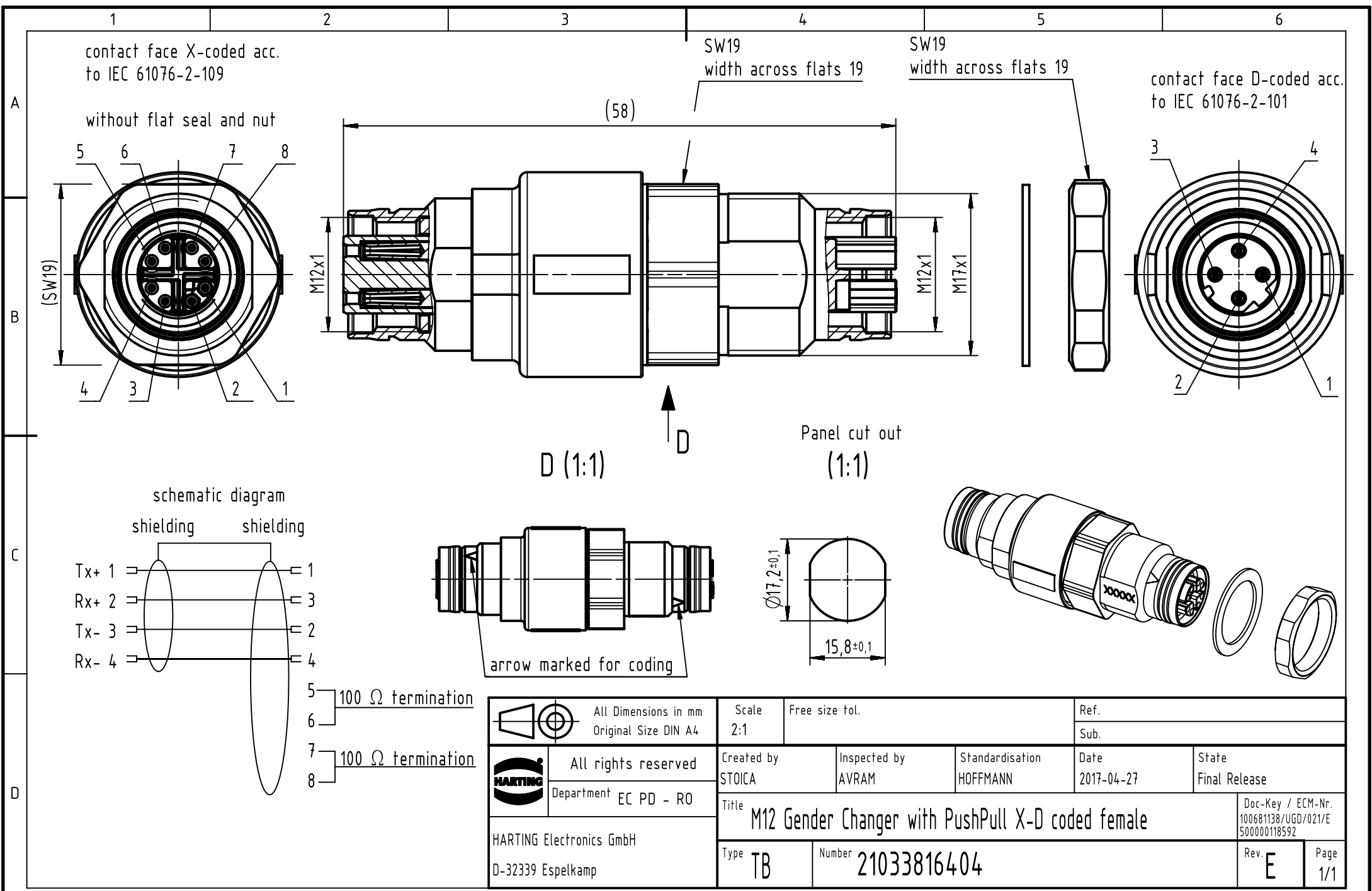
## Contact us

Tel: +86-755-8981 8866 Fax: +86-755-8427 6832

Email & Skype: info@chipsmall.com Web: www.chipsmall.com

Address: A1208, Overseas Decoration Building, #122 Zhenhua RD., Futian, Shenzhen, China





contact face X-coded acc. to IEC 61076-2-109

SW19 width across flats 19

SW19 width across flats 19

contact face D-coded acc. to IEC 61076-2-101

without flat seal and nut

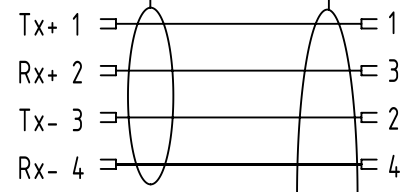
(58)

D (1:1)

Panel cut out (1:1)

schematic diagram

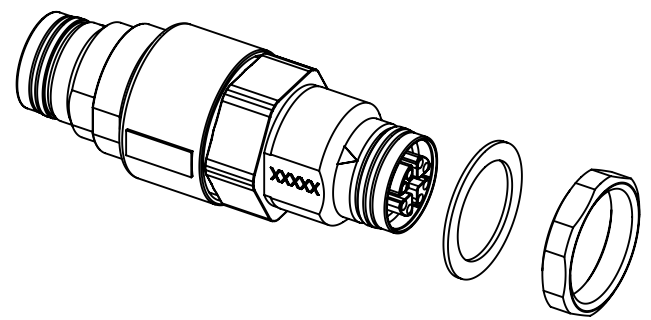
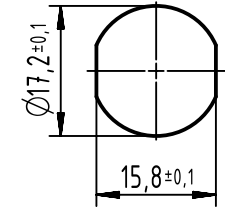
shielding shielding



5 100 Ω termination

7 100 Ω termination

arrow marked for coding



	All rights reserved Department EC PD - RO HARTING Electronics GmbH D-32339 Espelkamp	All Dimensions in mm Original Size DIN A4		Scale 2:1	Free size tol.	Ref. Sub.
		Created by STOICA	Inspected by AVRAM	Standardisation HOFFMANN	Date 2017-04-27	State Final Release
Title M12 Gender Changer with PushPull X-D coded female					Doc-Key / ECM-Nr. 100681138/UGD/021/E 500000118592	
Type TB				Number 21033816404		Rev. E
						Page 1/1