



Chipsmall Limited consists of a professional team with an average of over 10 year of expertise in the distribution of electronic components. Based in Hongkong, we have already established firm and mutual-benefit business relationships with customers from,Europe,America and south Asia,supplying obsolete and hard-to-find components to meet their specific needs.

With the principle of “Quality Parts,Customers Priority,Honest Operation,and Considerate Service”,our business mainly focus on the distribution of electronic components. Line cards we deal with include Microchip,ALPS,ROHM,Xilinx,Pulse,ON,Everlight and Freescale. Main products comprise IC,Modules,Potentiometer,IC Socket,Relay,Connector.Our parts cover such applications as commercial,industrial, and automotives areas.

We are looking forward to setting up business relationship with you and hope to provide you with the best service and solution. Let us make a better world for our industry!



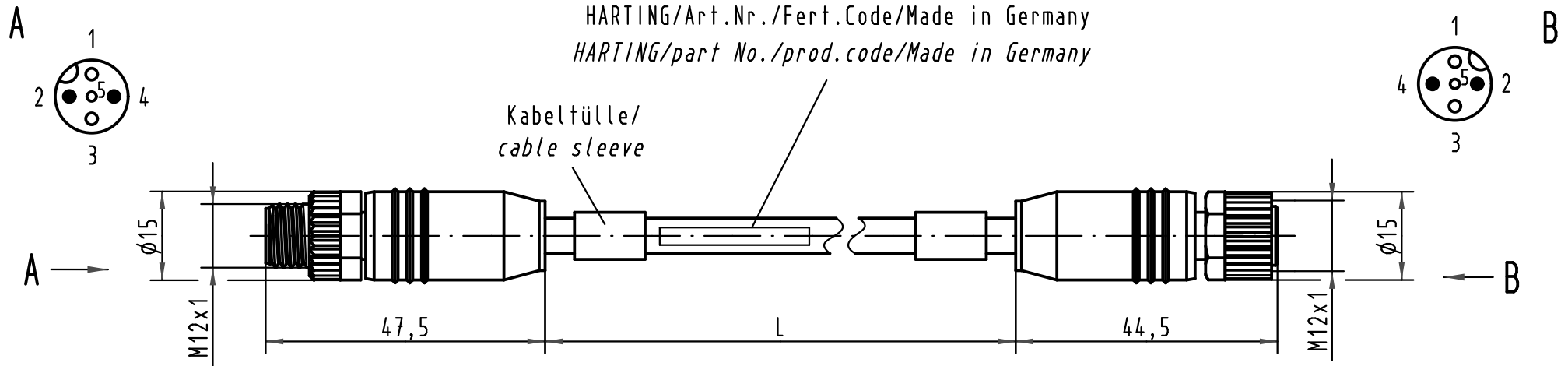
## Contact us

Tel: +86-755-8981 8866 Fax: +86-755-8427 6832

Email & Skype: info@chipsmall.com Web: www.chipsmall.com

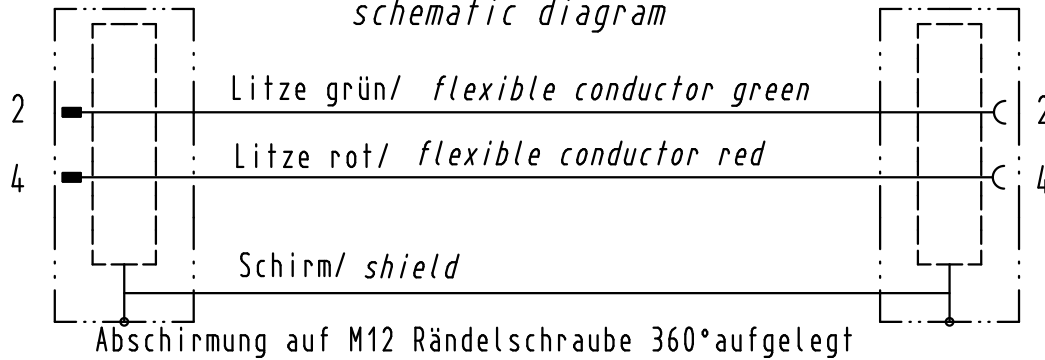
Address: A1208, Overseas Decoration Building, #122 Zhenhua RD., Futian, Shenzhen, China





HARTING/Art.Nr./Fert.Code/Made in Germany  
 HARTING/part No./prod.code/Made in Germany

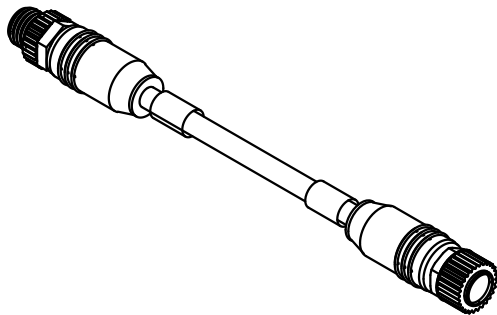
Stromlaufplan/  
 schematic diagram



Halogen-freie PUR-Leitung 2x0,64mm<sup>2</sup>  
 in violett mit UL/CSA-Zulassung/

Halogen-free PUR-conductor 2x0,64mm<sup>2</sup>  
 violet with approval according to UL/CSA

21 03 449 4301	0,3m
21 03 449 4302	0,6m
21 03 449 4303	1,0m
21 03 449 4304	1,5m
21 03 449 4305	2,0m
Artikelnr.	Nennlänge (L)



All Dimensions in mm Original Size DIN A 4	Techn. Character.			Nicht tolerierte Maß/Free size tolerances	
		Dat.	Name	Maßstab/Scale	
	Detail.	25.10.07	Rull	1:1	
	Insp.		Sch		
EC01905	21.05.10	DY	Stand.	<b>M12-Rundsteckverbinder</b> Buchse u. Stift gerade, B-Cod. M12-circular connector/ female a. male straight	
413610	31.01.08	DY			
413286					
Mod.	Dat.	Name	HARTING Electronics GmbH & Co. KG D-32339 ESPELKAMP		TB 21 03 449 4300 Sub.
					Blatt/ page

