



Chipsmall Limited consists of a professional team with an average of over 10 year of expertise in the distribution of electronic components. Based in Hongkong, we have already established firm and mutual-benefit business relationships with customers from,Europe,America and south Asia,supplying obsolete and hard-to-find components to meet their specific needs.

With the principle of “Quality Parts,Customers Priority,Honest Operation,and Considerate Service”,our business mainly focus on the distribution of electronic components. Line cards we deal with include Microchip,ALPS,ROHM,Xilinx,Pulse,ON,Everlight and Freescale. Main products comprise IC,Modules,Potentiometer,IC Socket,Relay,Connector.Our parts cover such applications as commercial,industrial, and automotives areas.

We are looking forward to setting up business relationship with you and hope to provide you with the best service and solution. Let us make a better world for our industry!



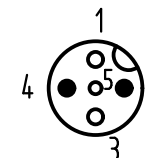
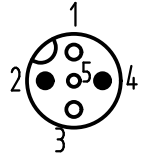
Contact us

Tel: +86-755-8981 8866 Fax: +86-755-8427 6832

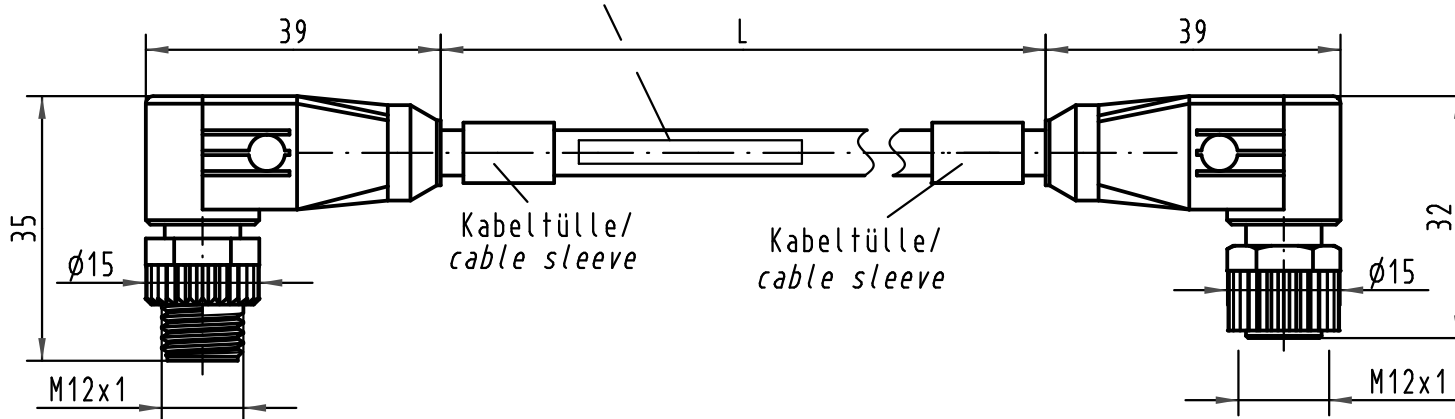
Email & Skype: info@chipsmall.com Web: www.chipsmall.com

Address: A1208, Overseas Decoration Building, #122 Zhenhua RD., Futian, Shenzhen, China

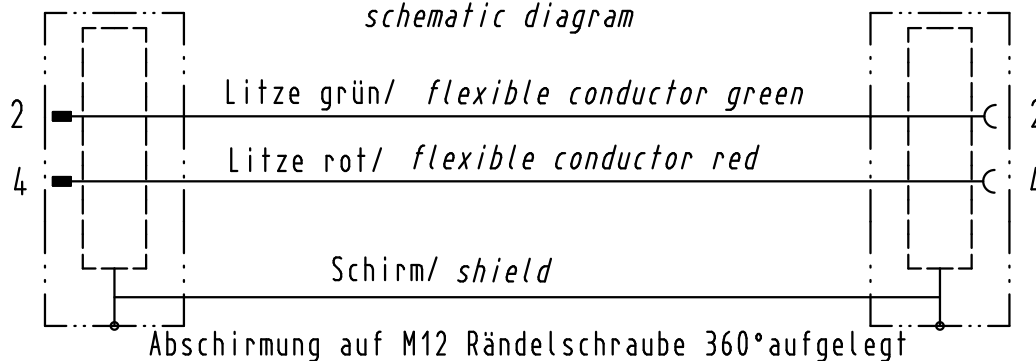




HARTING/Art.Nr./Fert.Code/Made in Germany
HARTING/part No./prod.code/Made in Germany

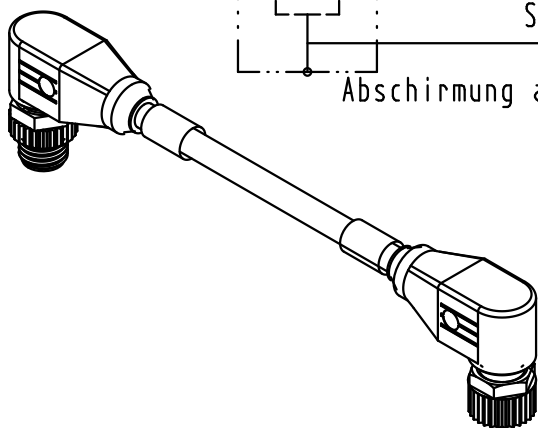


Stromlaufplan/
schematic diagram



Halogen-freie PUR-Leitung 2x0,64mm²
in violett mit UL/CSA-Zulassung/
Halogen-free PUR-conductor 2x0,64mm²
violet with approval according to UL/CSA

21 03 449 6301	0,3m
21 03 449 6302	0,6m
21 03 449 6303	1,0m
21 03 449 6304	1,5m
21 03 449 6305	2,0m
Artikelnr.	Nennlänge (L)



	All Dimensions in mm Original Size DIN A 4			Techn. Character.			Nicht tolerierte Maß/Free size tolerances	
							M12-Rundsteckverbinder Stift u. Buchse gewinkelt, B-Cod. M12-circular connector/ female and male angular	
			Detail.	26.10.07	Rull	Maßstab/Scale 1:1		
			Insp.		Sch			
			Stand.					
EC01905	21.05.10	DY	HARTING Electronics GmbH & Co. KG				TB 21 03 449 6300	
413610	31.01.08	DY	D-32339 ESPELKAMP					
413286			Mod.	Dat.	Name		Sub.	Blatt/page