



Chipsmall Limited consists of a professional team with an average of over 10 year of expertise in the distribution of electronic components. Based in Hongkong, we have already established firm and mutual-benefit business relationships with customers from,Europe,America and south Asia,supplying obsolete and hard-to-find components to meet their specific needs.

With the principle of "Quality Parts,Customers Priority,Honest Operation,and Considerate Service",our business mainly focus on the distribution of electronic components. Line cards we deal with include Microchip,ALPS,ROHM,Xilinx,Pulse,ON,Everlight and Freescale. Main products comprise IC,Modules,Potentiometer,IC Socket,Relay,Connector.Our parts cover such applications as commercial,industrial, and automotives areas.

We are looking forward to setting up business relationship with you and hope to provide you with the best service and solution. Let us make a better world for our industry!



Contact us

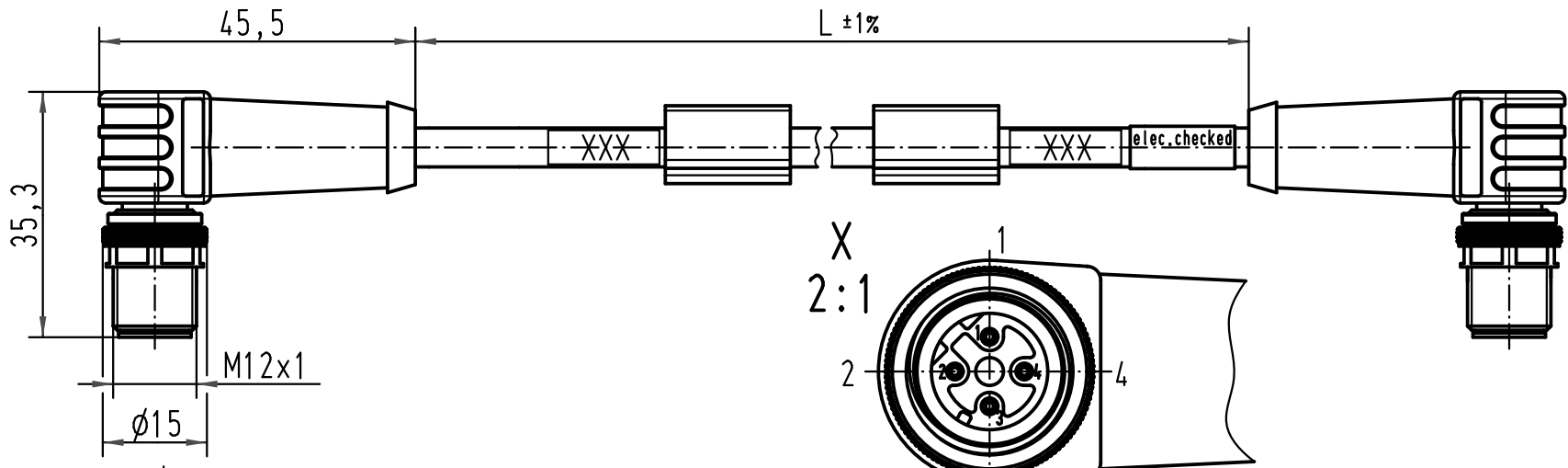
Tel: +86-755-8981 8866 Fax: +86-755-8427 6832

Email & Skype: info@chipsmall.com Web: www.chipsmall.com

Address: A1208, Overseas Decoration Building, #122 Zhenhua RD., Futian, Shenzhen, China



1 2 3 4 5 6



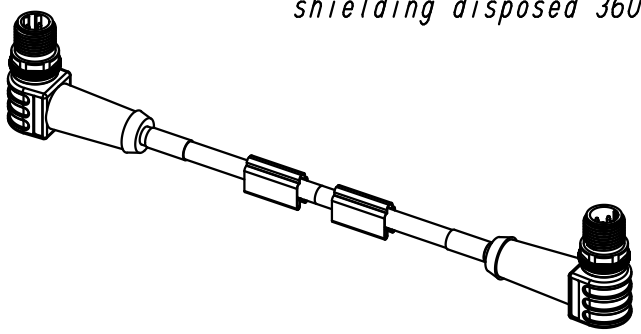
Stromlaufplan/schematic diagram



Abschirmung auf M12 Rändelschraube 360°aufgelegt
shielding disposed 360° on M12 knurled screw

PUR-Leitung 2x2xAWG22/7 in grün
PUR-conductor 2x2xAWG22/7 in green

21 03 485 3440	40,0m
21 03 485 3425	25,0m
21 03 485 3415	15,0m
21 03 485 3410	10,0m
21 03 485 3408	8,0m
21 03 485 3405	5,0m
21 03 485 3403	3,0m
21 03 485 3401	1,0m
Artikelnr.	Nennlänge (L)



⚠️ All Dimensions in mm
Original Size DIN A 4

Techn. Character.		Maßstab/Scale
Dat.	Name	
Detail.	29.01.07 DY	1:1
Insp.	WELL	
Stand.		

Nicht tolerierte Maßel Free size tolerances

M12-Rundsteckverbinder / M12-circular connector
Stift, gewinkelt, 4polig, AWG 22, D-kodiert, umspritzt / male, angular, 4poles, AWG 22, D-coded, cable extrusion

413513	11.12.07	Ho
413025	04.07.07	DY
412673		
Mod.	Dat.	Name

HARTING Electric GmbH & Co. KG
D-32339 Espelkamp



TB 21 03 485 3400

Sub. Blatt/ page