



Chipsmall Limited consists of a professional team with an average of over 10 year of expertise in the distribution of electronic components. Based in Hongkong, we have already established firm and mutual-benefit business relationships with customers from,Europe,America and south Asia,supplying obsolete and hard-to-find components to meet their specific needs.

With the principle of “Quality Parts,Customers Priority,Honest Operation,and Considerate Service”,our business mainly focus on the distribution of electronic components. Line cards we deal with include Microchip,ALPS,ROHM,Xilinx,Pulse,ON,Everlight and Freescale. Main products comprise IC,Modules,Potentiometer,IC Socket,Relay,Connector.Our parts cover such applications as commercial,industrial, and automotives areas.

We are looking forward to setting up business relationship with you and hope to provide you with the best service and solution. Let us make a better world for our industry!



Contact us

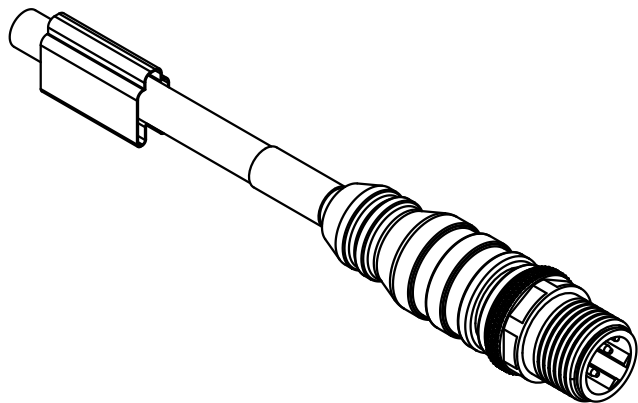
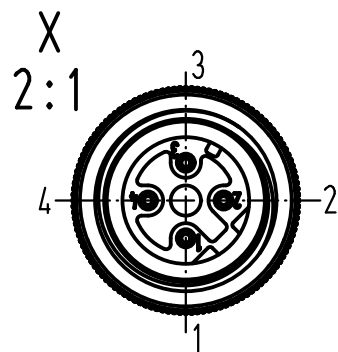
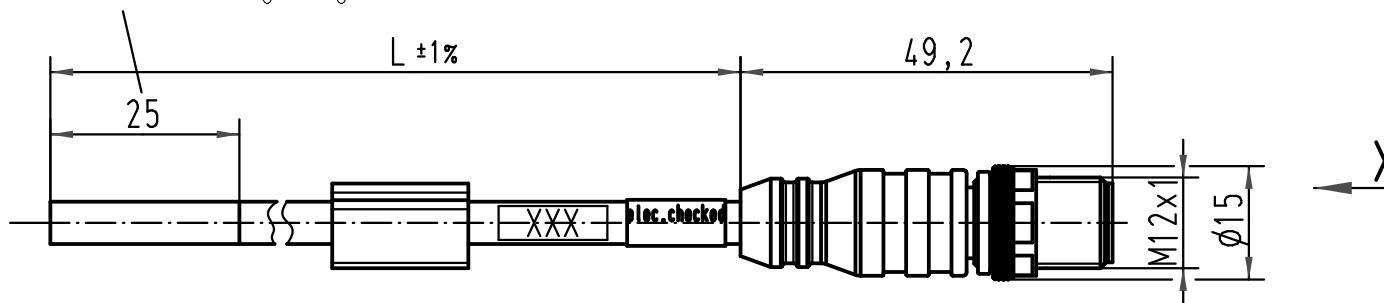
Tel: +86-755-8981 8866 Fax: +86-755-8427 6832

Email & Skype: info@chipsmall.com Web: www.chipsmall.com

Address: A1208, Overseas Decoration Building, #122 Zhenhua RD., Futian, Shenzhen, China



Kabelmantel eingeschnitten
aber nicht abgezogen



21 03 583 1440	40,0m
21 03 583 1425	25,0m
21 03 583 1415	15,0m
21 03 583 1410	10,0m
21 03 583 1405	5,0m
21 03 583 1403	3,0m
21 03 583 1401	1,0m
Artikelnr.	Nennlänge (L)

All Dimensions in mm Original Size DIN A 4			Techn. Character.			Nicht tolerierte Maß/Free size tolerances		
413600	25.01.08	Ho		Dat.	Name	Maßstab/Scale 1:1	M12-Rundsteckverbinder/ M12-circular connector Stift, gerade, 4polig, AWG26, D-kodiert, umspritzt/ <i>male, straight, 4poles, AWG26, D-coded, cable extrusion</i>	
412507	26.10.06	DY	Detail.	13.05.05	DY			
412196	05.05.06	DY	Insp.		WELL			
411816	22.09.05	DY	Stand.					
411681	28.06.05	DY	HARTING Electric GmbH & Co. KG				TB 21 03 583 1400	
411650	08.06.05	DY	D-32339 Espelkamp					
Mod.	Dat.	Name					Sub.	Blatt/ page