



Chipsmall Limited consists of a professional team with an average of over 10 year of expertise in the distribution of electronic components. Based in Hongkong, we have already established firm and mutual-benefit business relationships with customers from,Europe,America and south Asia,supplying obsolete and hard-to-find components to meet their specific needs.

With the principle of “Quality Parts,Customers Priority,Honest Operation,and Considerate Service”,our business mainly focus on the distribution of electronic components. Line cards we deal with include Microchip,ALPS,ROHM,Xilinx,Pulse,ON,Everlight and Freescale. Main products comprise IC,Modules,Potentiometer,IC Socket,Relay,Connector.Our parts cover such applications as commercial,industrial, and automotives areas.

We are looking forward to setting up business relationship with you and hope to provide you with the best service and solution. Let us make a better world for our industry!



Contact us

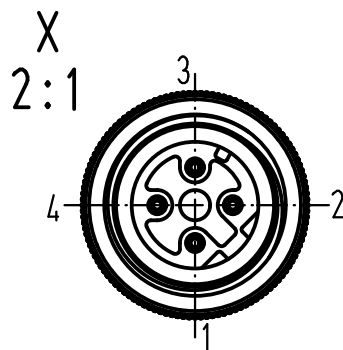
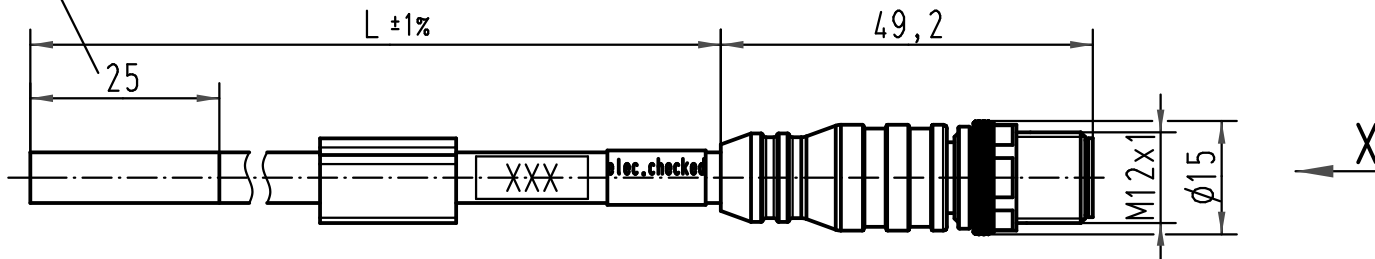
Tel: +86-755-8981 8866 Fax: +86-755-8427 6832

Email & Skype: info@chipsmall.com Web: www.chipsmall.com

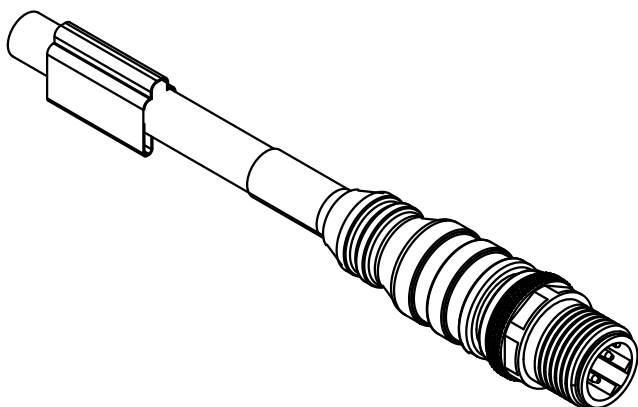
Address: A1208, Overseas Decoration Building, #122 Zhenhua RD., Futian, Shenzhen, China



Kabelmantel eingeschnitten
nicht abgezogen



21 03 585 1451	1,5m
21 03 585 1425	25,0m
21 03 585 1410	10,0m
21 03 585 1405	5,0m
21 03 585 1403	3,0m
21 03 585 1401	1,0m
Artikelnr.	Nennlänge (L)



	All Dimensions in mm Original Size DIN A 4			Techn. Character.			Nicht tolerierte Masse/ Free size tolerances			
	412592	12.12.06	DY		Dat.	Name	Massstab/ Scale 1:1 2:1	M12-Rundsteckverbinder/ M12-circular connector Stift, gerade, 4polig, AWG 22, D-kodiert, umspritzt/ male, straight, 4poles, AWG 22, D-coded, cable extrusion		
412507	26.10.06	DY	Detail.	17.05.05	DY					
412196	05.05.06	DY	Insp.		WELL					
411681	28.06.05	DY	Stand.							
411650	08.06.05	DY		HARTING Electric GmbH & Co. KG				TB 21 03 585 1400		Blatt/ page
411621				D-32339 Espelkamp						
Mod.	Dat.	Name				Sub.				