



Chipsmall Limited consists of a professional team with an average of over 10 year of expertise in the distribution of electronic components. Based in Hongkong, we have already established firm and mutual-benefit business relationships with customers from,Europe,America and south Asia,supplying obsolete and hard-to-find components to meet their specific needs.

With the principle of “Quality Parts,Customers Priority,Honest Operation,and Considerate Service”,our business mainly focus on the distribution of electronic components. Line cards we deal with include Microchip,ALPS,ROHM,Xilinx,Pulse,ON,Everlight and Freescale. Main products comprise IC,Modules,Potentiometer,IC Socket,Relay,Connector.Our parts cover such applications as commercial,industrial, and automotives areas.

We are looking forward to setting up business relationship with you and hope to provide you with the best service and solution. Let us make a better world for our industry!



## Contact us

Tel: +86-755-8981 8866 Fax: +86-755-8427 6832

Email & Skype: info@chipsmall.com Web: www.chipsmall.com

Address: A1208, Overseas Decoration Building, #122 Zhenhua RD., Futian, Shenzhen, China



1 2 3 4 5 6

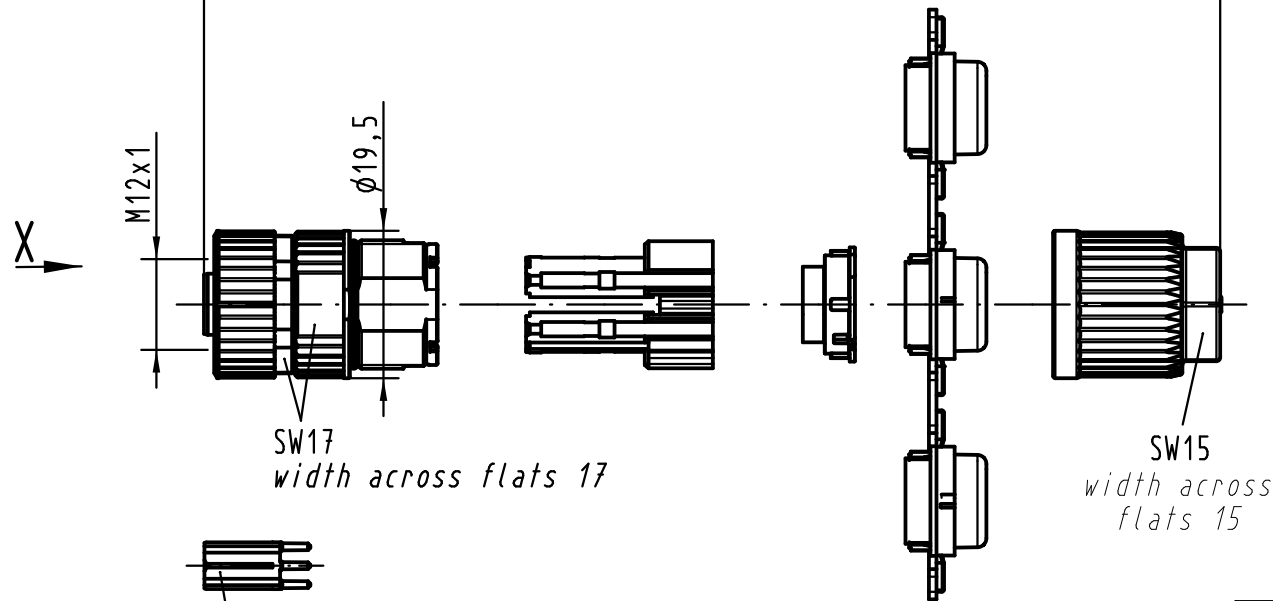
A

B

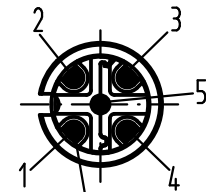
C

D

Gesamtlänge im verschraubten Zustand ca. 41,4mm  
complete length when assembled app. 41,4mm

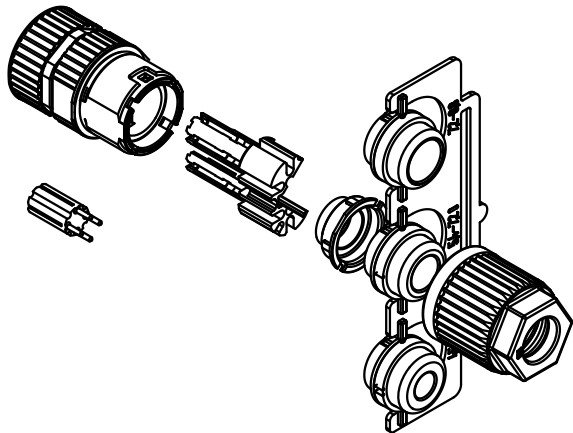


X (2:1)



Steckgesicht n.  
Contact face acc.to  
IEC 61076-2-101

Montagehilfe wird  
lose beigelegt  
assembly aid enclosed



Crimpkontakte separat bestellen  
Order contacts separately

Kabelø cableø	Leiterquerschnitt Wire gauge	Bestell-Nr. Part-No.
4,5-8,8mm	AWG 26-22	09 67 000 5476
	AWG 24-20	09 67 000 8476
	alternativ/alternative	
	AWG 26-22	61 03 000 0096
	AWG 22-20	61 03 000 0074

All Dimensions in mm Original Size DIN A 4			Techn. Character.			Nicht tolerierte Maß/Free size tolerances		
				Dat.	Name	Maßstab/Scale 1:1	<b>M12-L</b> RSV Buchse, crimp, geschirmt, 5-polig, A-kodiert Circular Connector female crimp, shielded, 5-pole, A-coded	
			Detail.	13.05.09	DY			
EC03731	30.08.11	DY	Insp.		WELL		<b>TB 21 03 812 2505</b>	
EC03243	20.05.11	DY	Stand.					
EC01106	23.11.09	DY						
414334			HARTING Electronics GmbH & Co. KG				Blatt/ page Sub.	
Mod.	Dat.	Name	D-32339 ESPELKAMP					