



Chipsmall Limited consists of a professional team with an average of over 10 year of expertise in the distribution of electronic components. Based in Hongkong, we have already established firm and mutual-benefit business relationships with customers from,Europe,America and south Asia,supplying obsolete and hard-to-find components to meet their specific needs.

With the principle of “Quality Parts,Customers Priority,Honest Operation,and Considerate Service”,our business mainly focus on the distribution of electronic components. Line cards we deal with include Microchip,ALPS,ROHM,Xilinx,Pulse,ON,Everlight and Freescale. Main products comprise IC,Modules,Potentiometer,IC Socket,Relay,Connector.Our parts cover such applications as commercial,industrial, and automotives areas.

We are looking forward to setting up business relationship with you and hope to provide you with the best service and solution. Let us make a better world for our industry!



## Contact us

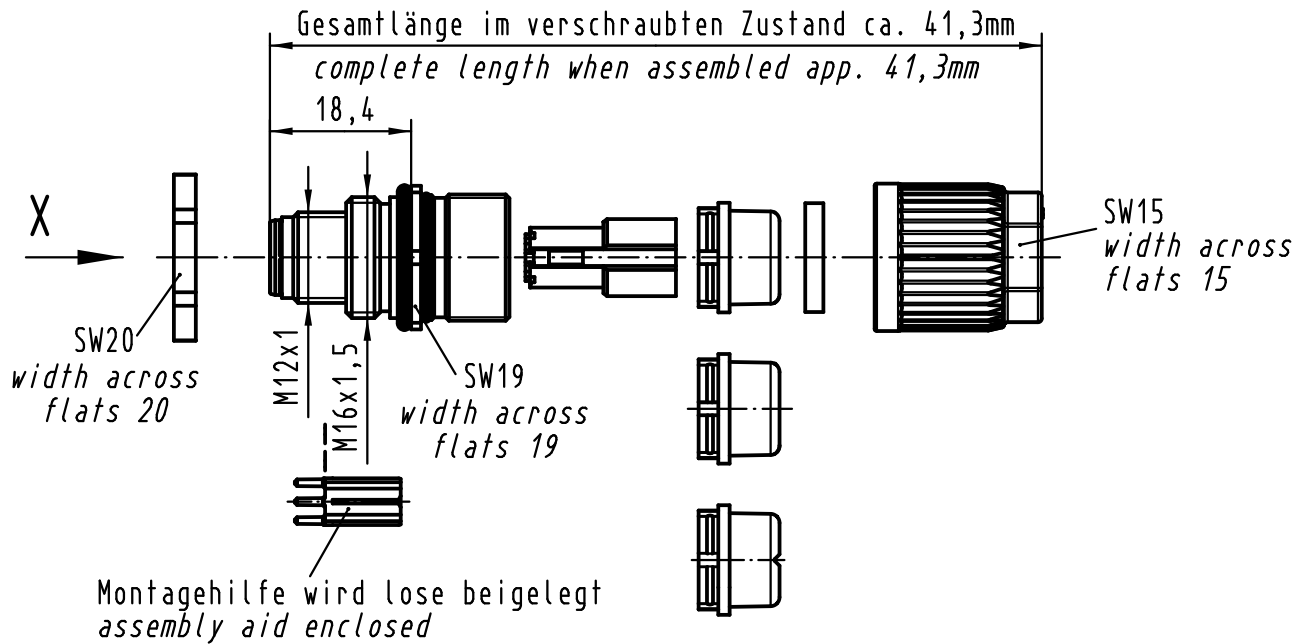
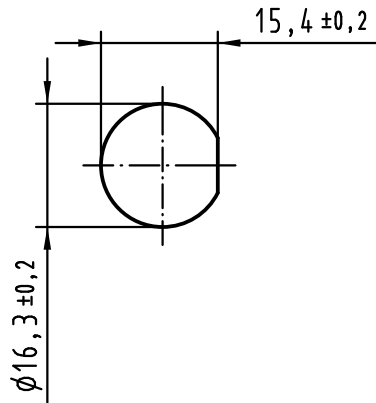
Tel: +86-755-8981 8866 Fax: +86-755-8427 6832

Email & Skype: info@chipsmall.com Web: www.chipsmall.com

Address: A1208, Overseas Decoration Building, #122 Zhenhua RD., Futian, Shenzhen, China



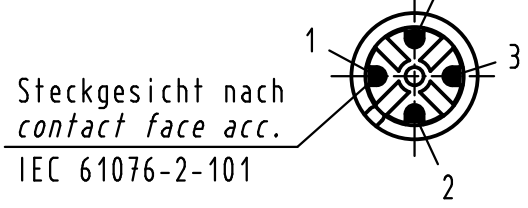
Montageausschnitt  
panel cut out



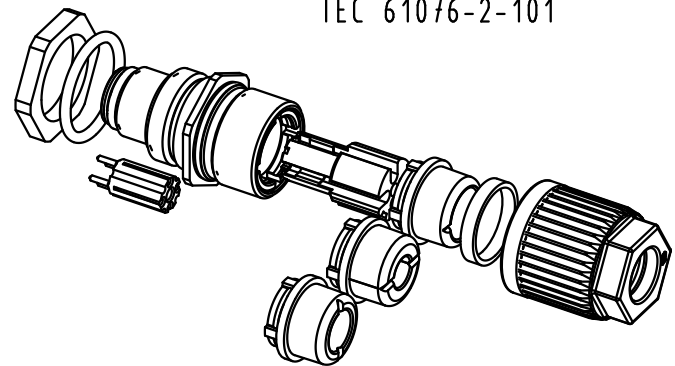
Montagehilfe wird lose beigelegt  
assembly aid enclosed

Crimpkontakte separat bestellen  
order contacts separately

X (2:1)



Kabelø / cableø			Leiterquerschnitt wire gauge	Bestell-Nr. part-no.
5,5-7,2mm	4,5-5,4mm	7,0-8,8mm	AWG 26-22	09 67 000 5576
Dichtung / sealing			AWG 24-20	09 67 000 8576
schwarz/black	transparent	beige		



All Dimensions in mm Original Size DIN A 4		Techn. Character.			Nicht tolerierte Maßel Free size tolerances		
EC03244	20.05.11	DY	Dat.	Name	Maßstab/Scale <b>1:1</b>	<b>M12 crimp</b> WDF geschirmt, Stift, A-kodiert, 4-polig Panel feed through shielded, male, A-coded, 4-pole	
EC02795	28.01.11	DY	Detail.	29.08.07			Ho
EC02370	23.09.10	Bus.	Insp.				SUN
414337	18.06.09	DY	Stand.				
414043	28.07.08	DY	HARTING Electronics GmbH & Co. KG			<b>TB 21 03 822 1425</b>	
414008	14.07.08	Ho	D-32339 ESPELKAMP				
Mod.	Dat.	Name					
Sub.						Blatt/ page	